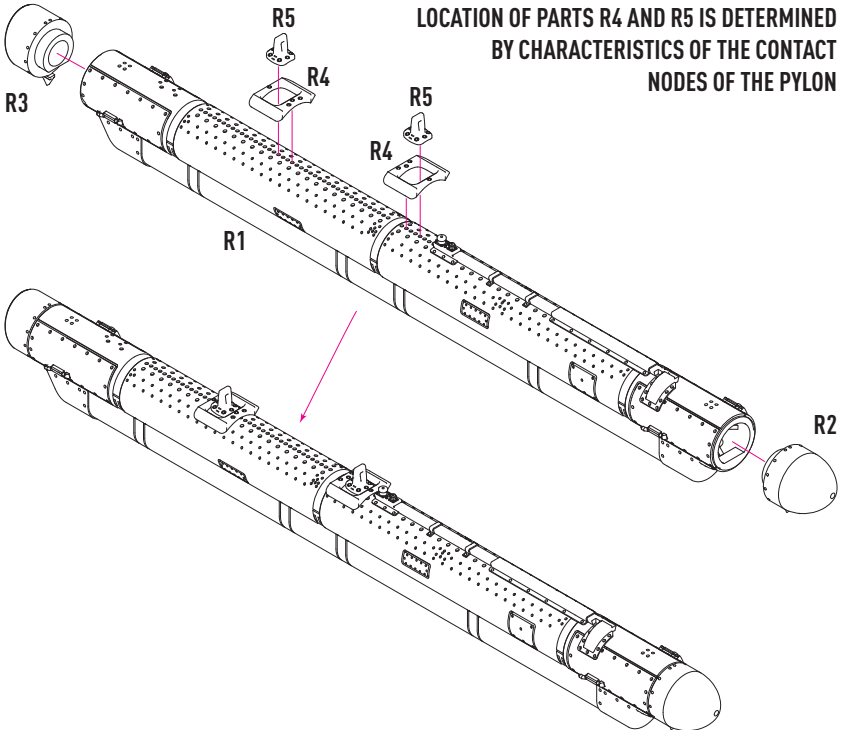
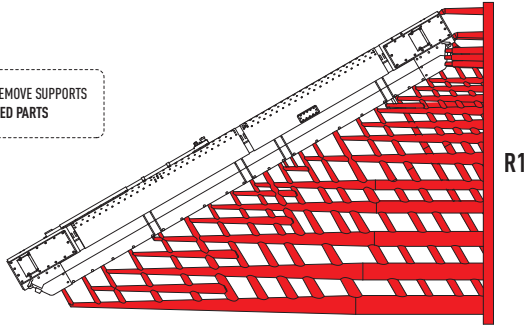
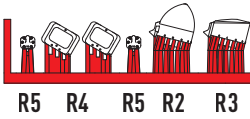


CUT

USE A SAW TO REMOVE SUPPORTS
FROM 3D PRINTED PARTS



COLORS	GUNZE / AEGYUS	GUNZE / MR.COLOR	FEDERAL STANDARD
WHITE	H316	C316	FS 17875
SILVER	H8	C8	
SEMIGLOSS BLACK		C92	

