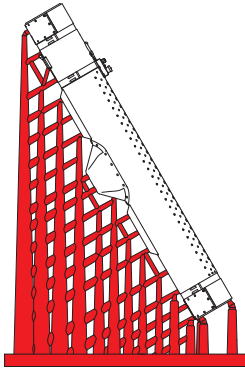
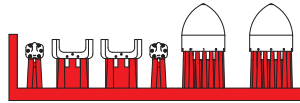


CUT



R1

USE A SAW TO REMOVE SUPPORTS  
FROM 3D PRINTED PARTS



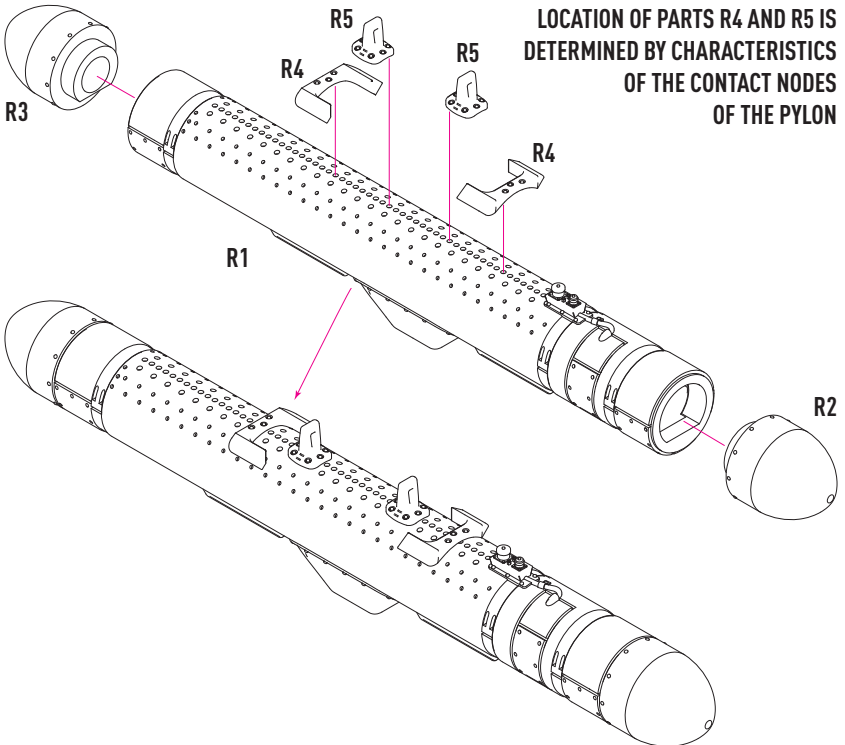
R5

R4

R5

R2

R3



LOCATION OF PARTS R4 AND R5 IS  
DETERMINED BY CHARACTERISTICS  
OF THE CONTACT NODES  
OF THE PYLON

R3

R5

R4

R5

R4

R1

R2

COLORS	GUNZE / AGEKUS	GUNZE / MR.COLOR	FEDERAL STANDARD
WHITE	H316	C316	FS 17875
SILVER	H8	C8	
SEMIGLOSS BLACK		C92	

