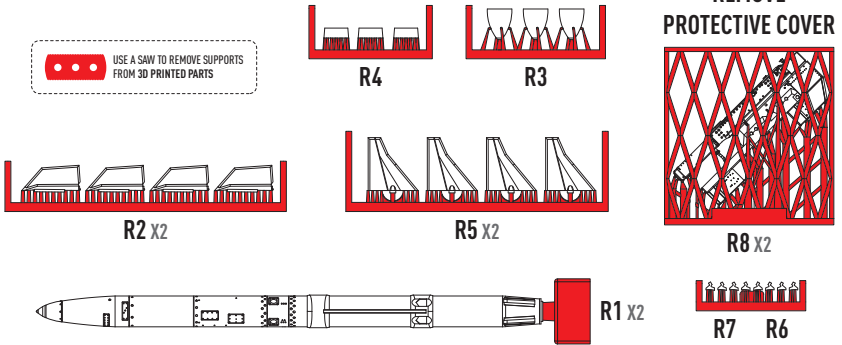
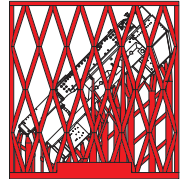


### CUT

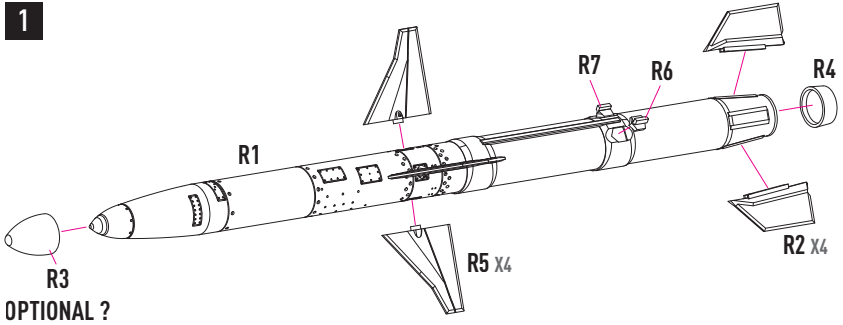
USE A SAW TO REMOVE SUPPORTS FROM 3D PRINTED PARTS



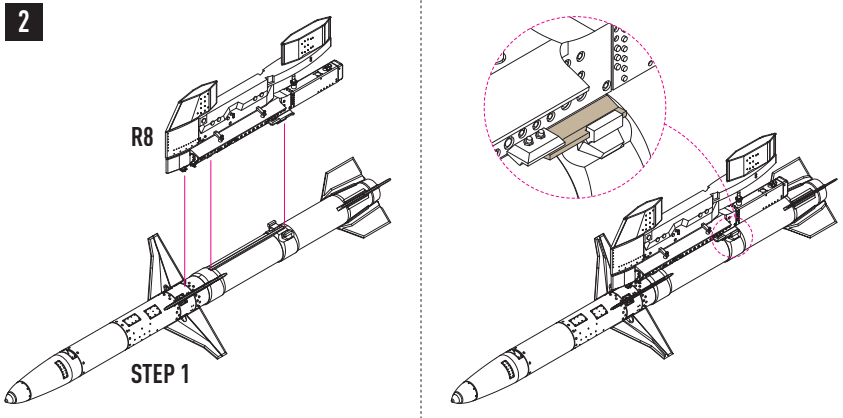
### REMOVE PROTECTIVE COVER



### 1



### 2



COLORS	GUNZE / ADEGUS	GUNZE / MR.COLOR	FEDERAL STANDARD
WHITE	H316	C316	FS 17875
GRAY	H308	C308	FS 36375
RED	H3	C3	

