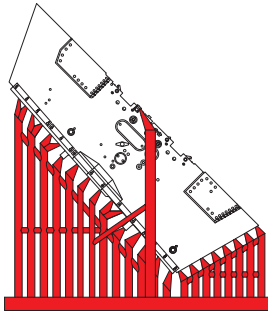


CUT

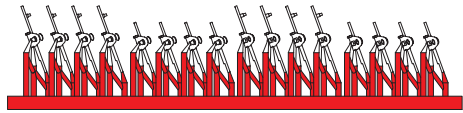


R1 x2

REMOVE PROTECTIVE COVER



USE A SAW TO REMOVE SUPPORTS  
FROM 3D PRINTED PARTS

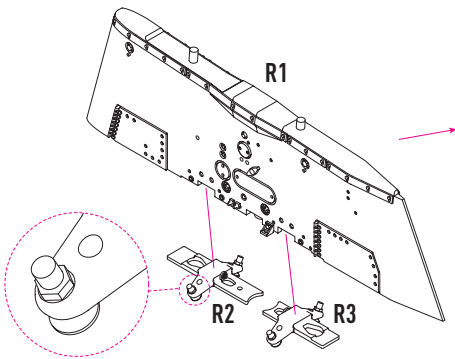


R2

R3

R4

R5

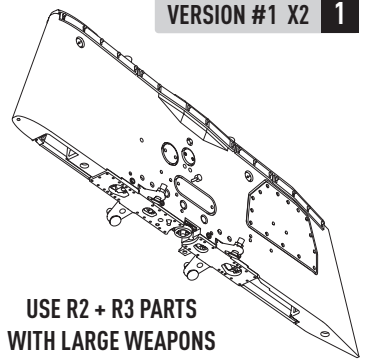


R1

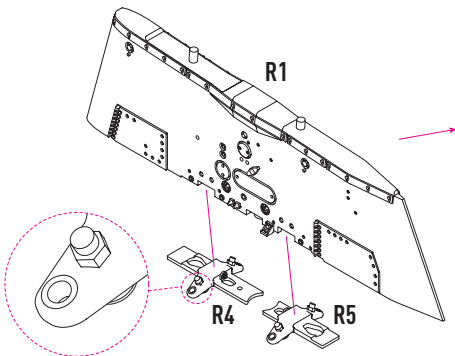
R2

R3

VERSION #1 X2 **1**



USE R2 + R3 PARTS  
WITH LARGE WEAPONS

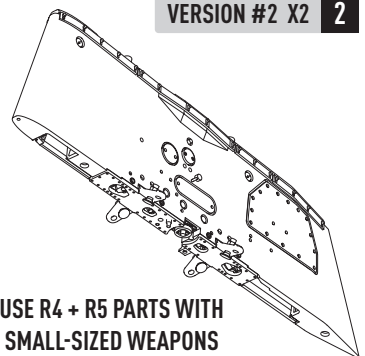


R1

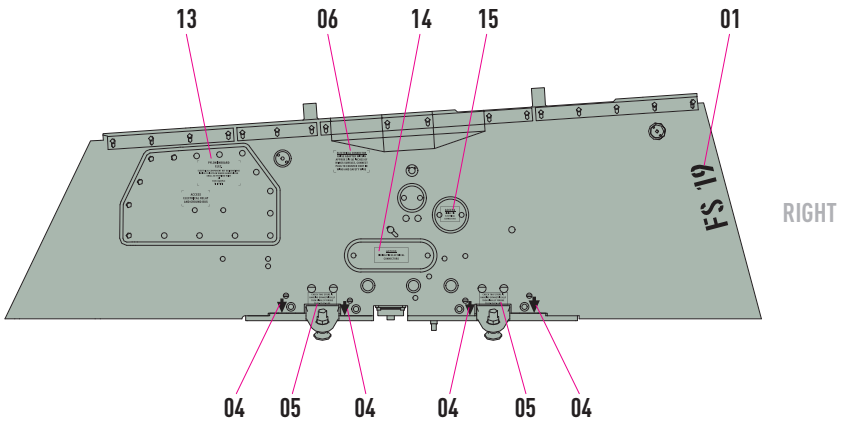
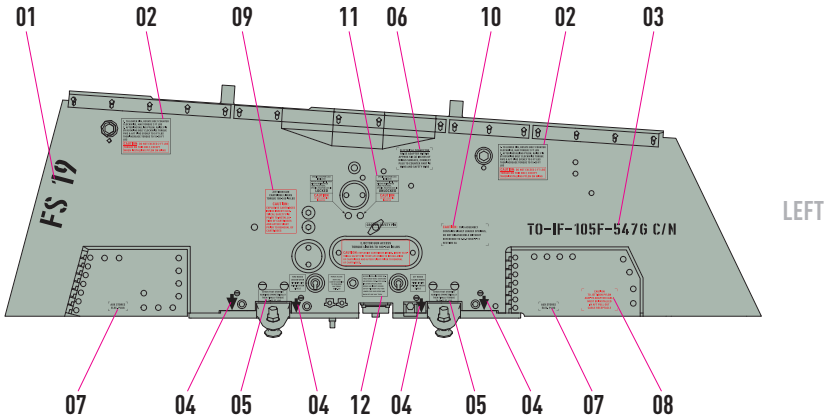
R4

R5

VERSION #2 X2 **2**



USE R4 + R5 PARTS WITH  
SMALL-SIZED WEAPONS



**PAINT THE PYLONS  
IN THE COLOR OF THE AIRCRAFT**