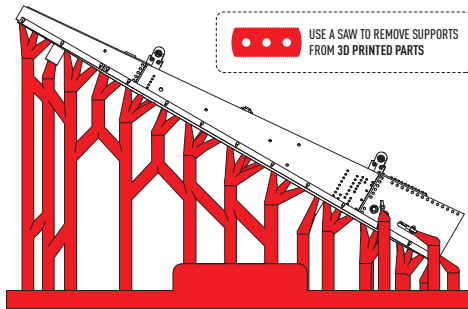
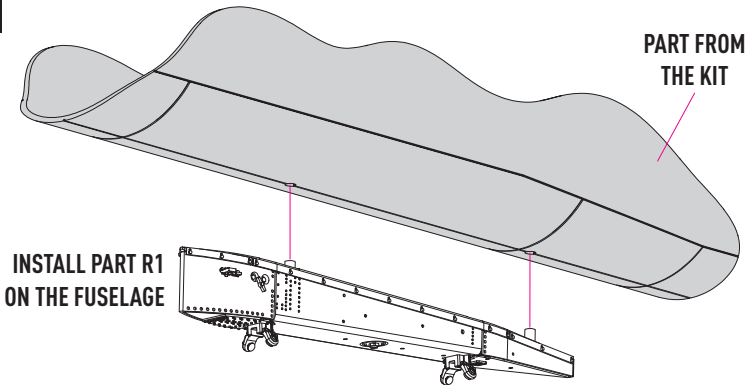


CUT

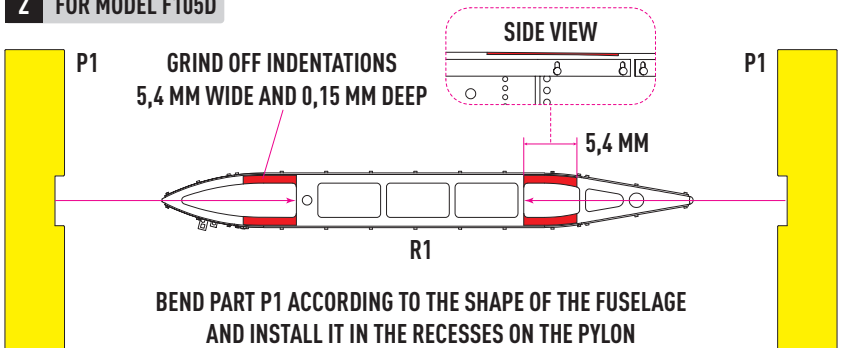


R1

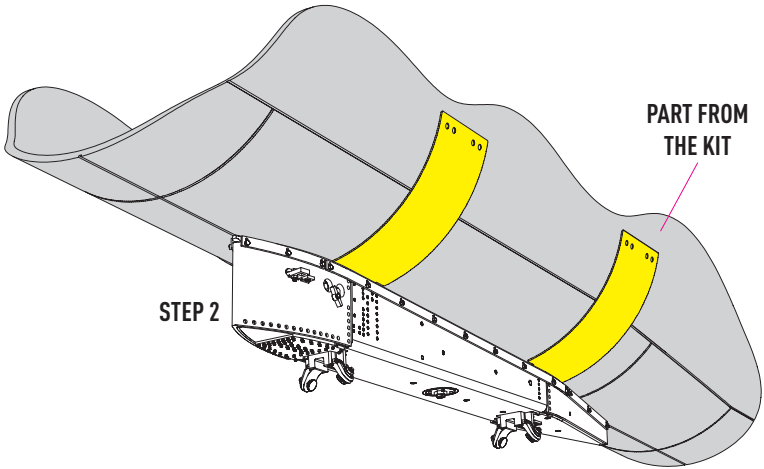
1



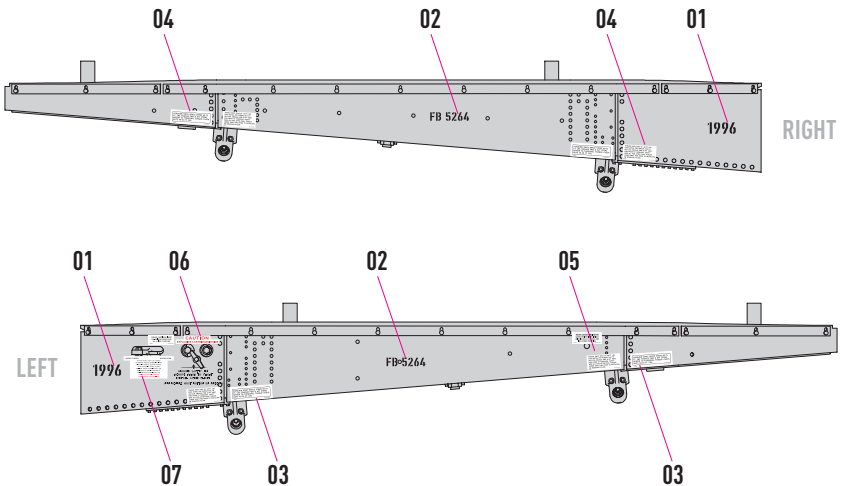
2 FOR MODEL F105D



### 3 INSTALL PYLON WITH OVERLAYS ON THE FUSELAGE



### DECAL INSTRUCTION



PAINT PYLON IN THE COLOR OF THE AIRCRAFT