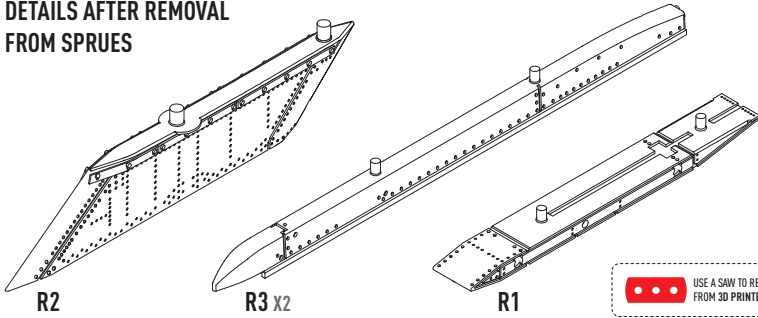
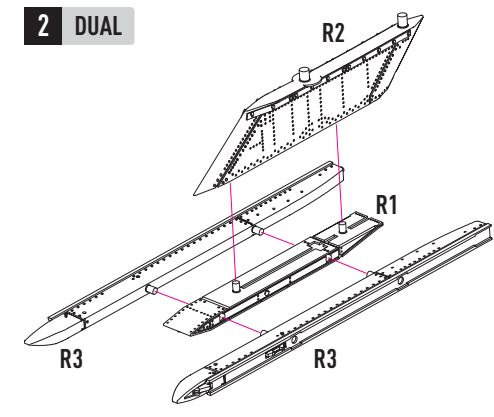
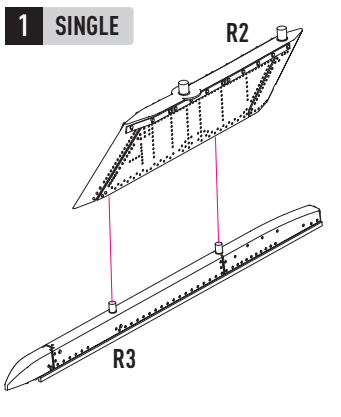


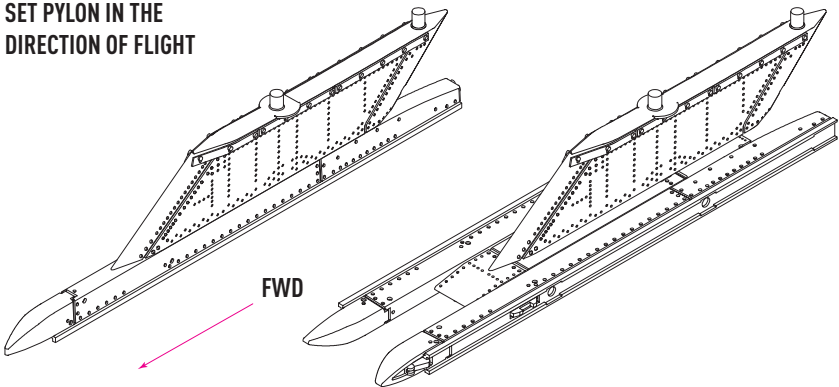
DETAILS AFTER REMOVAL FROM SPRUES



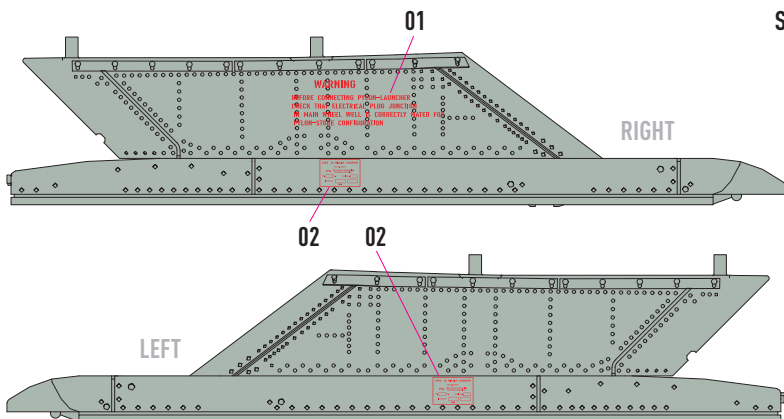
USE A SAW TO REMOVE SUPPORTS
FROM 3D PRINTED PARTS



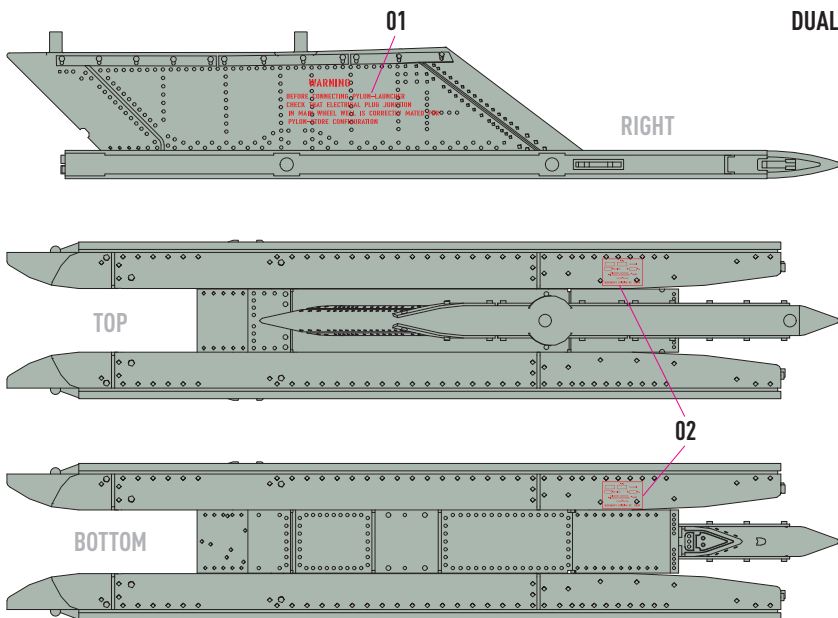
SET PYLON IN THE DIRECTION OF FLIGHT



SINGLE



DUAL



PAINT PYLON IN THE COLOR OF THE AIRCRAFT