

DETAILS AFTER REMOVAL FROM SUPPORTS

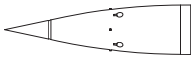
USE A SAW TO REMOVE SUPPORTS
FROM 3D PRINTED PARTS



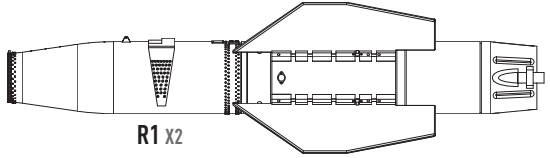
R4 X8



R2 X2

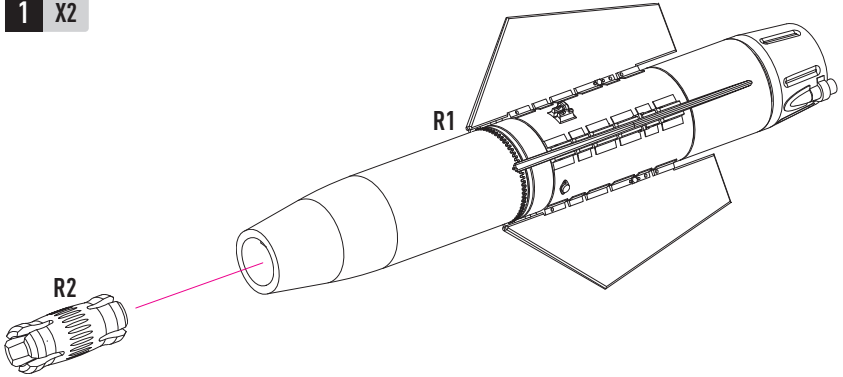


R3 X2

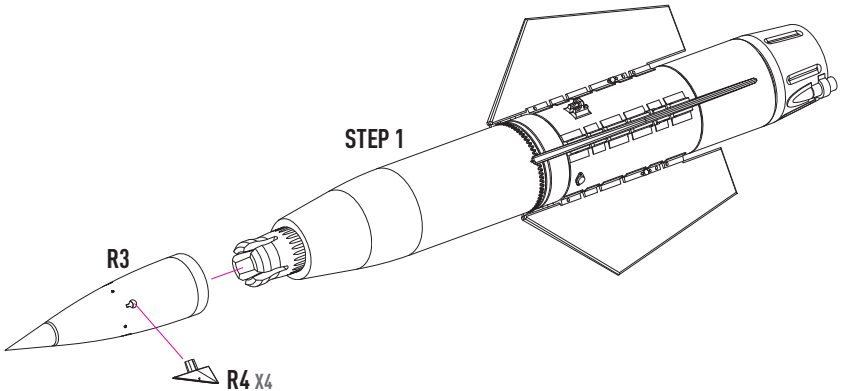


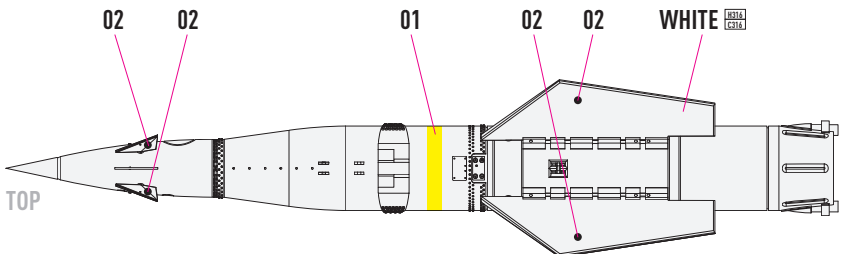
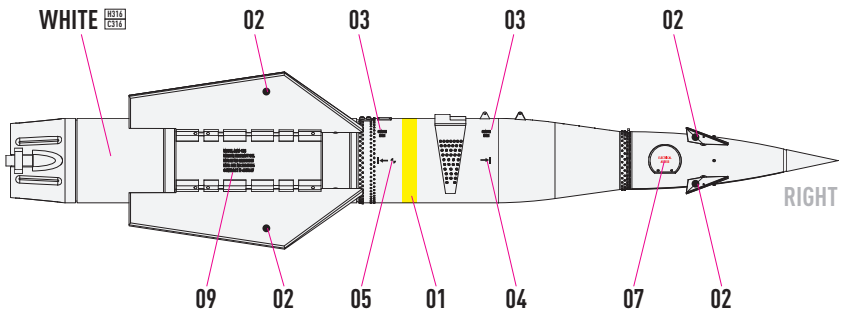
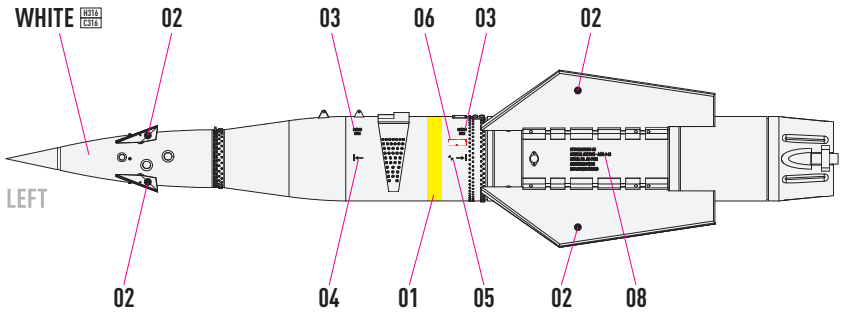
R1 X2

1 X2



2 X2





COLORS	GUNZE / AODEUS	GUNZE / MR.COLOR
WHITE	H316	C316