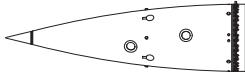


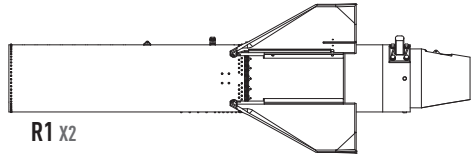
### DETAILS AFTER REMOVAL FROM SUPPORTS



R2 X2



R3 X2



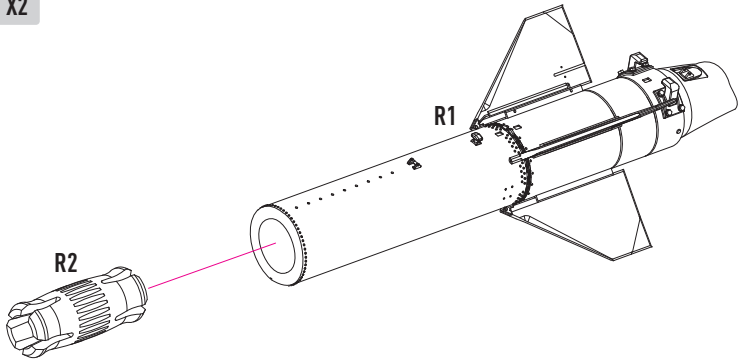
R1 X2



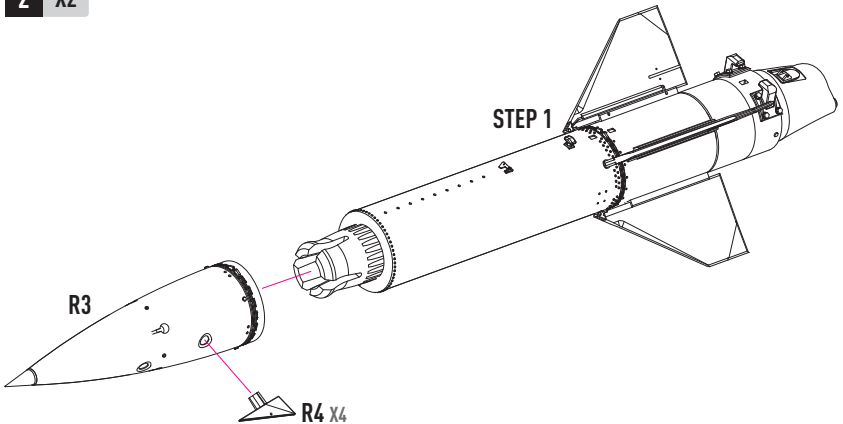
R4 X8

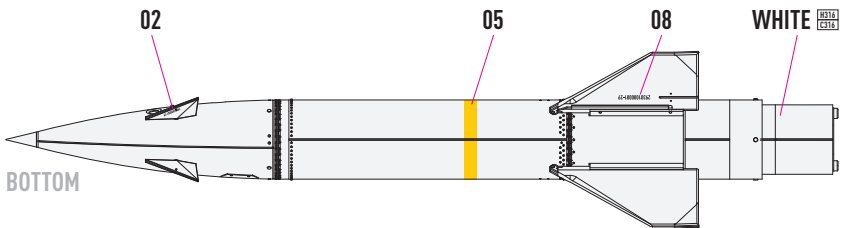
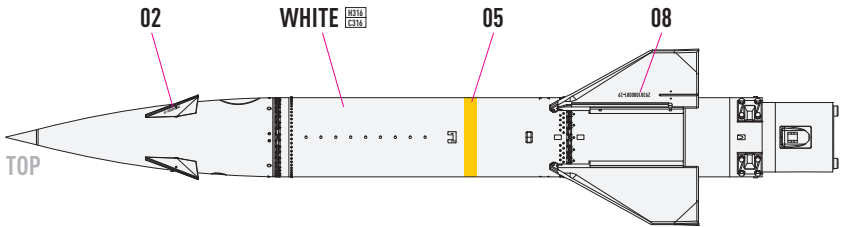
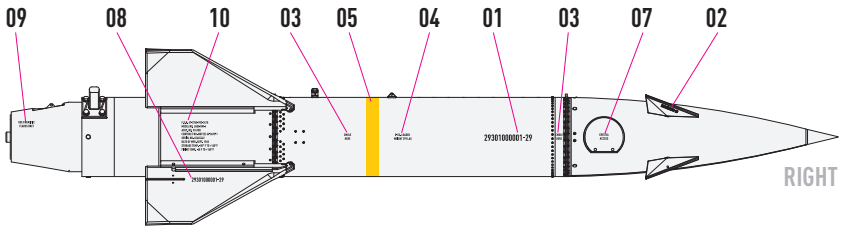
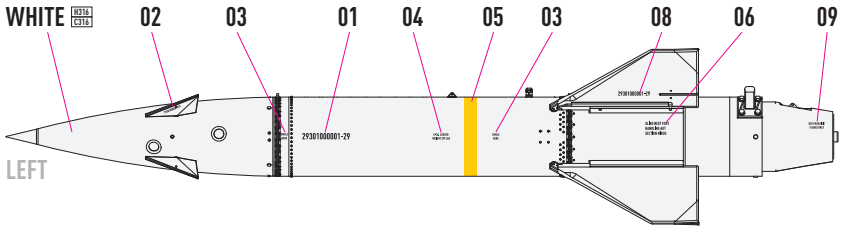
USE A SAW TO REMOVE SUPPORTS  
FROM 3D PRINTED PARTS

### 1 X2



### 2 X2





COLORS	GUNZE / AODEUS	GUNZE / MR.COLOR
WHITE	H316	C316