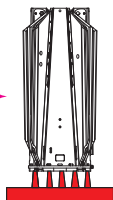


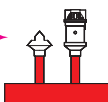
CUT

REMOVE
PROTECTIVE COVER



R2 X6

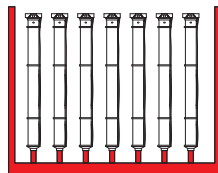
USE A SAW TO REMOVE SUPPORTS
FROM 3D PRINTED PARTS



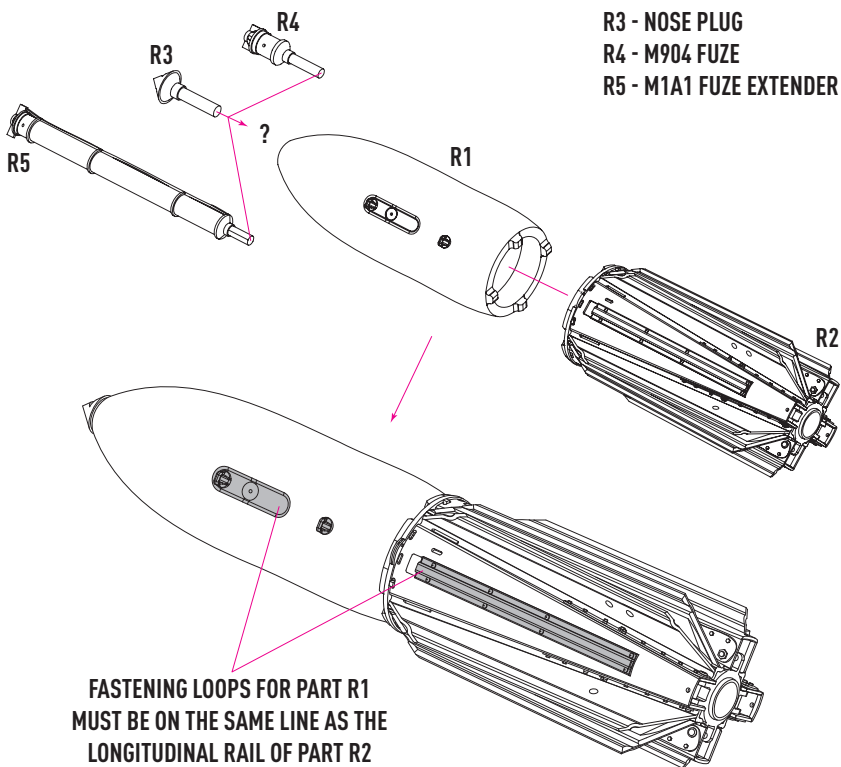
R3 R4



R1 X6

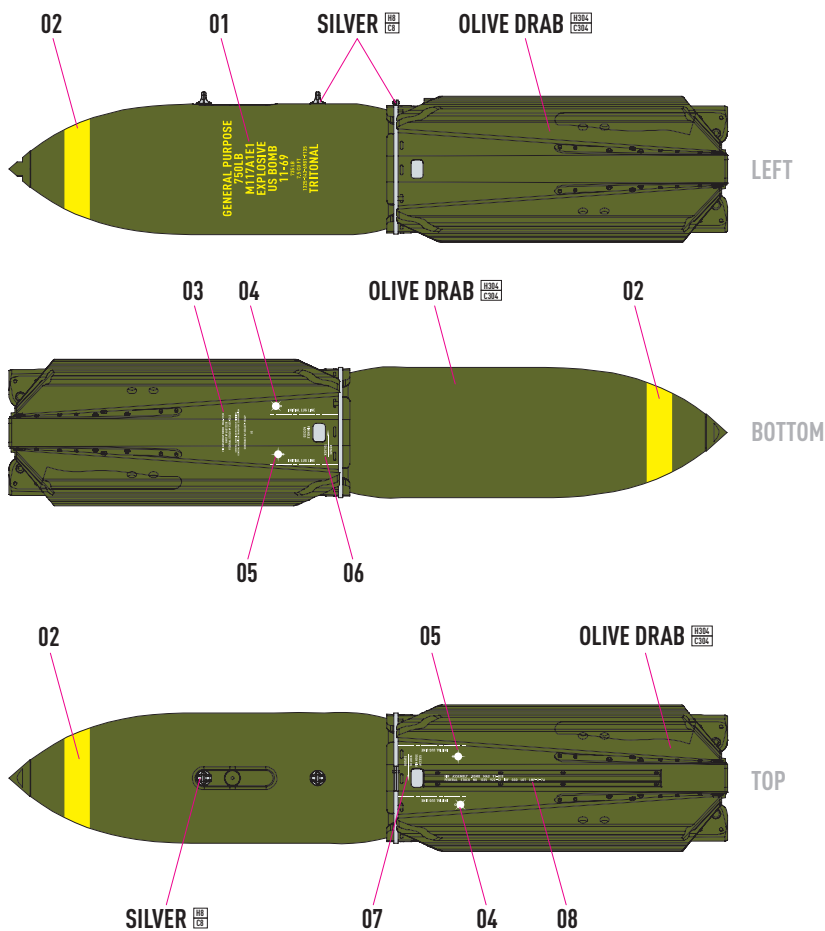


R5



R3 - NOSE PLUG
R4 - M904 FUZE
R5 - M1A1 FUZE EXTENDER

FASTENING LOOPS FOR PART R1
MUST BE ON THE SAME LINE AS THE
LONGITUDINAL RAIL OF PART R2



FUZING OPTIONS

COLORS	GUNZE / AGEUS	GUNZE / MR.COLOR
OLIVE DRAB	H304	C304
SILVER	H8	C8

M1A1	
M904	
NOSE PLUG	