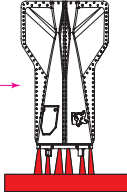


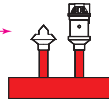
CUT

USE A SAW TO REMOVE SUPPORTS
FROM 3D PRINTED PARTS



R2 X6

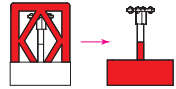
REMOVE
PROTECTIVE COVER



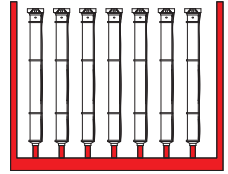
R3 R4



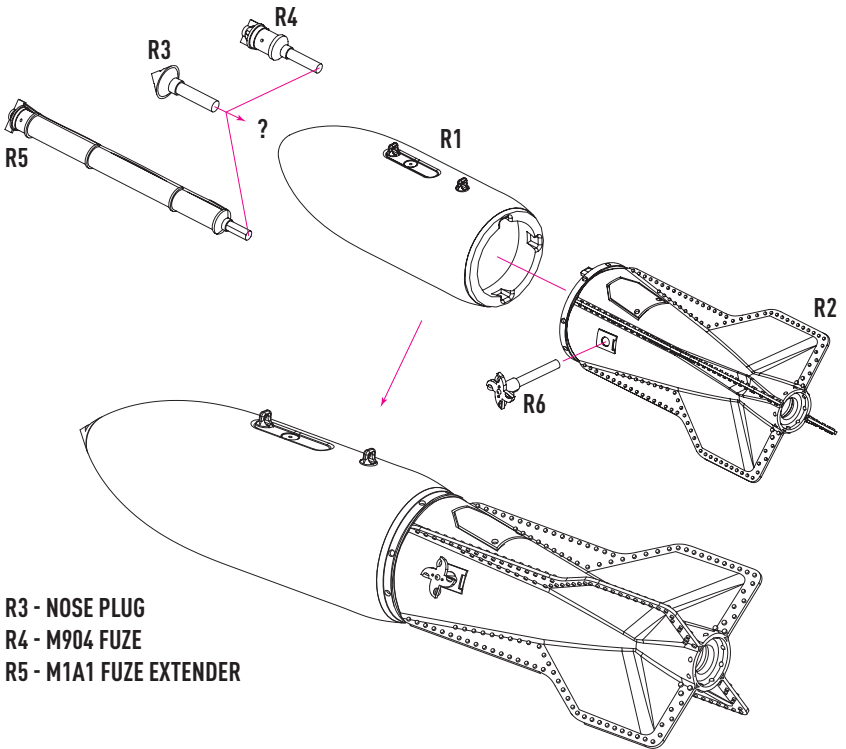
R1 X6



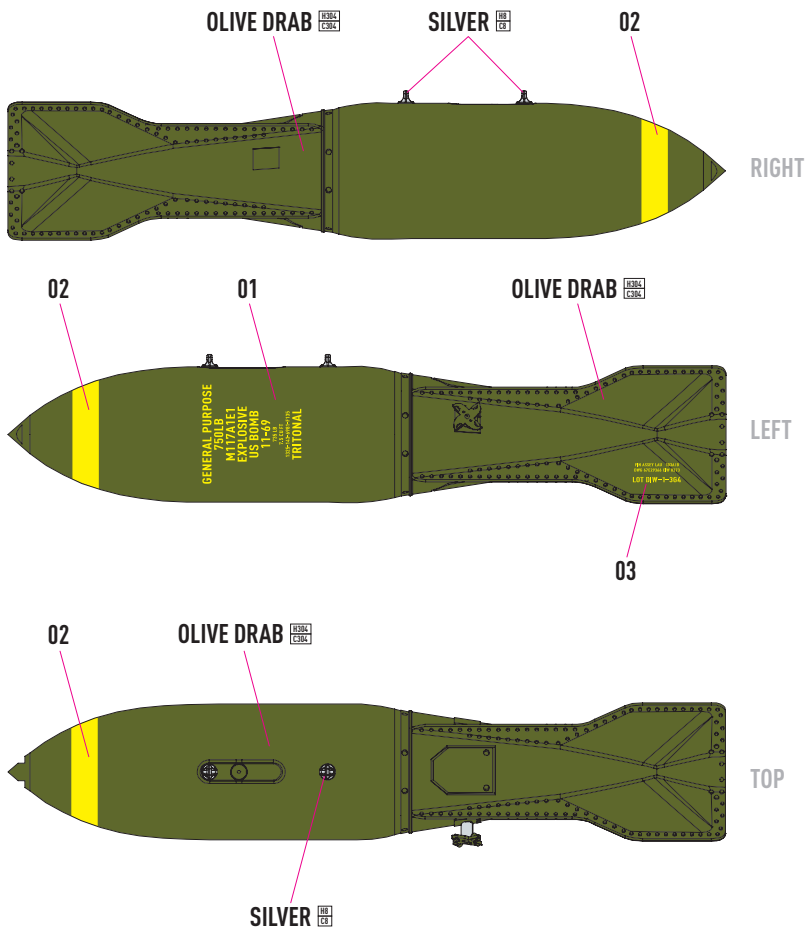
R6



R5



- R3 - NOSE PLUG
- R4 - M904 FUZE
- R5 - M1A1 FUZE EXTENDER



FUZING OPTIONS

COLORS	GUNZE / AGEUS	GUNZE / MR.COLOR
OLIVE DRAB	H304	C304
SILVER	H8	C8

M1A1	
M904	
NOSE PLUG	