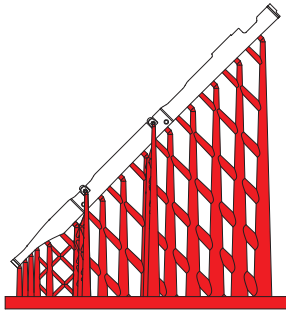
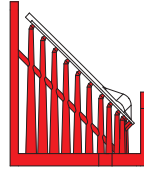


CUT

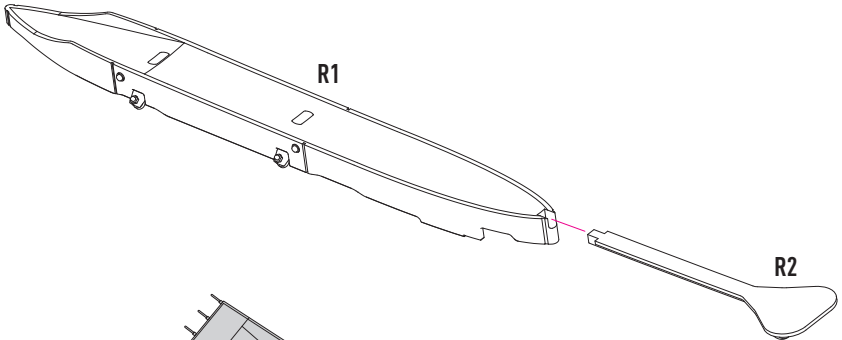


R1

USE A SAW TO REMOVE SUPPORTS
FROM 3D PRINTED PARTS

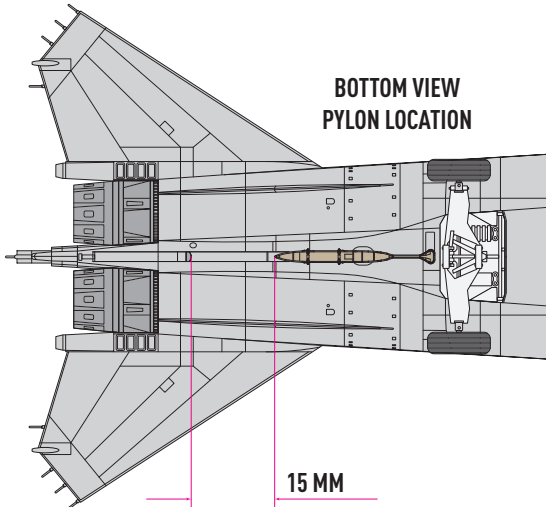


R2



R1

R2



**BOTTOM VIEW
PYLON LOCATION**

15 MM