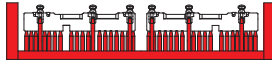
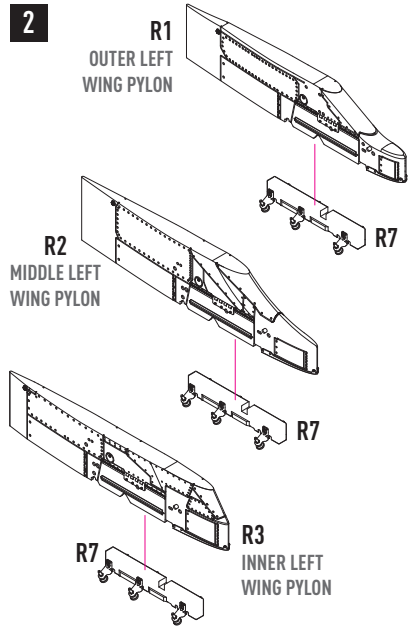
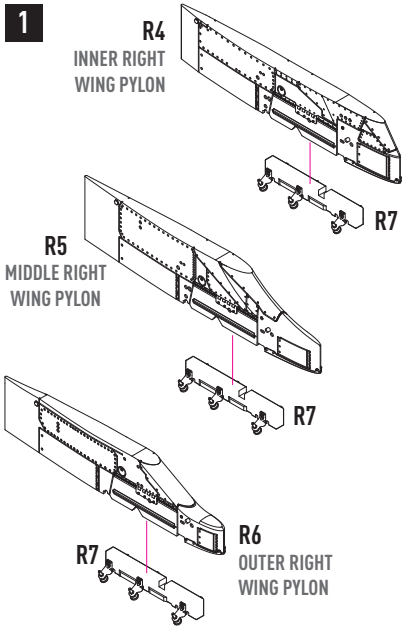
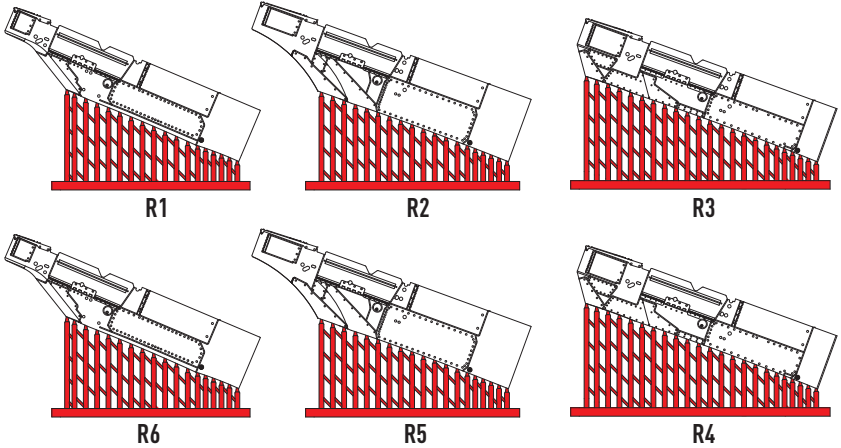


CUT

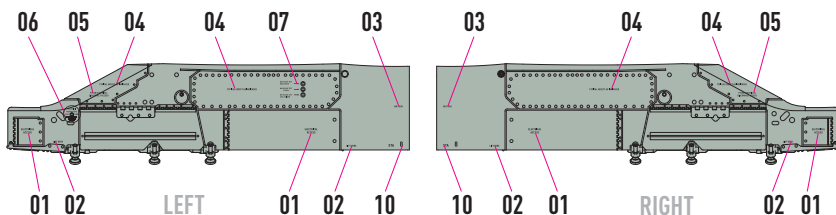
 USE A SAW TO REMOVE SUPPORTS FROM 3D PRINTED PARTS



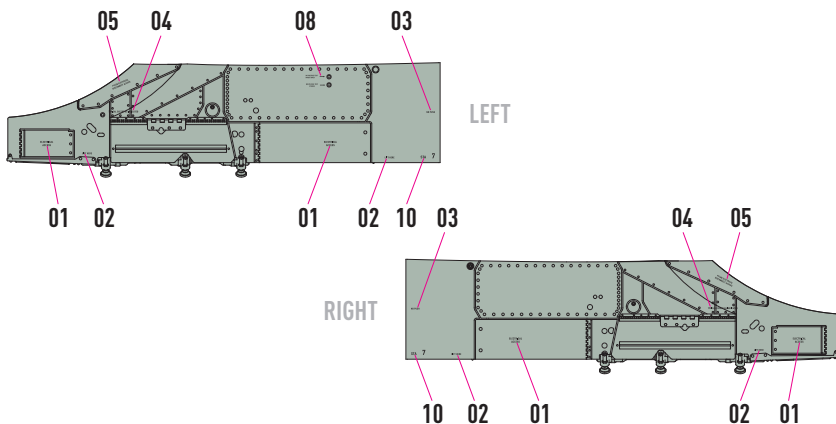
R7 X3



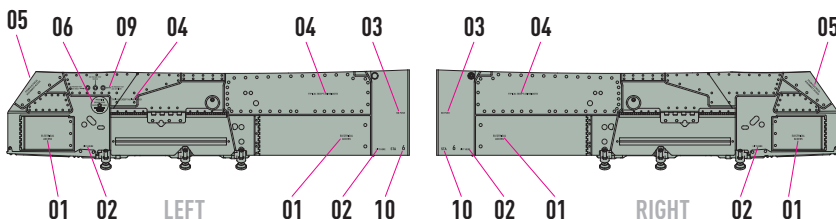
OUTER LEFT PYLON



MIDDLE LEFT PYLON



INNER LEFT PYLON



DECALS FOR THE RIGHT WING PYLON SHOULD BE MIRRORED