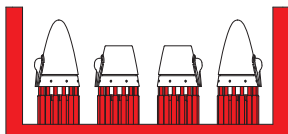
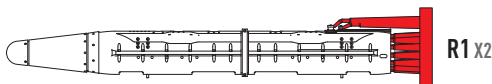
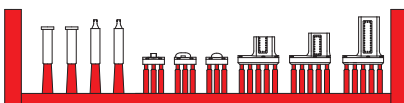


CUT



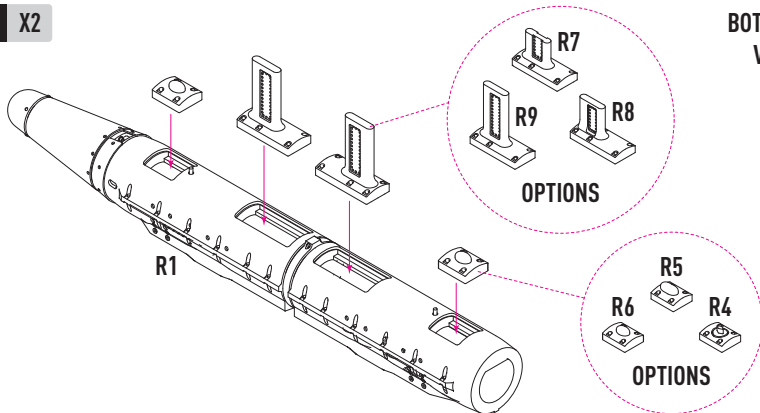
R2 R3 R3 R2



R10 R11 R4 R5 R6 R7 R8 R9

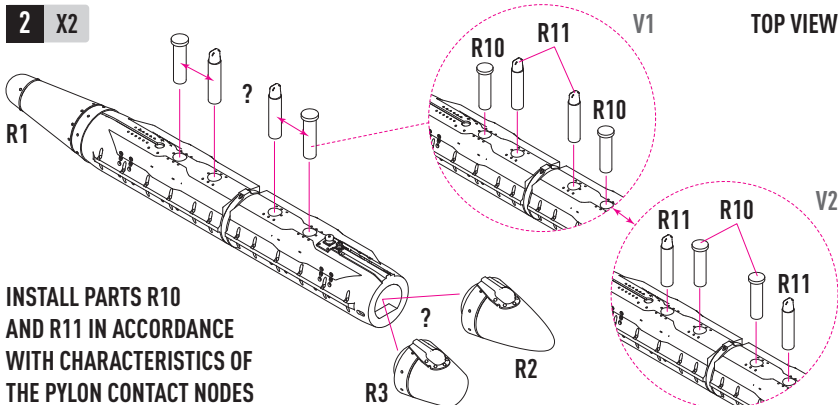
1 X2

BOTTOM VIEW

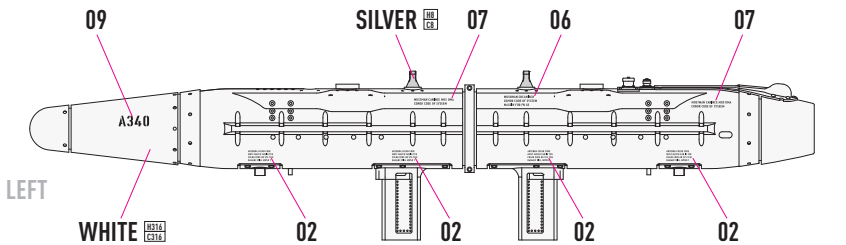
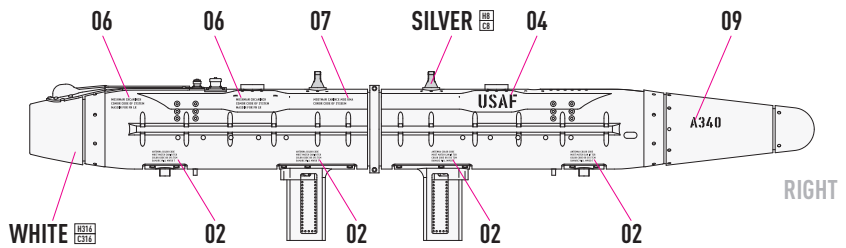
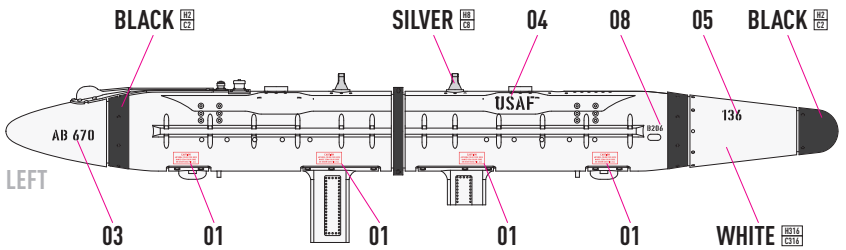
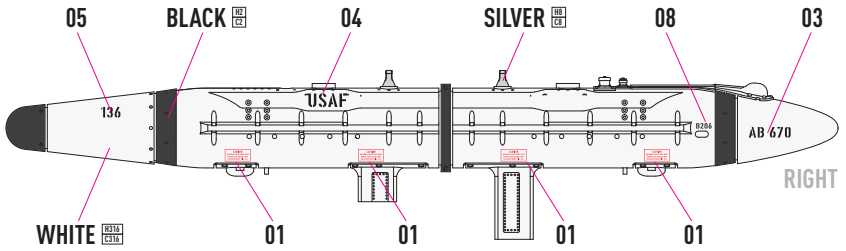


2 X2

TOP VIEW



INSTALL PARTS R10
AND R11 IN ACCORDANCE
WITH CHARACTERISTICS OF
THE PYLON CONTACT NODES



COLORS	GUNZE / AEGEUS	GUNZE / MR.COLOR
WHITE	H316	C316

COLORS	GUNZE / AEGEUS	GUNZE / MR.COLOR
SILVER	H8	C8

COLORS	GUNZE / AEGEUS	GUNZE / MR.COLOR
BLACK	H2	C2