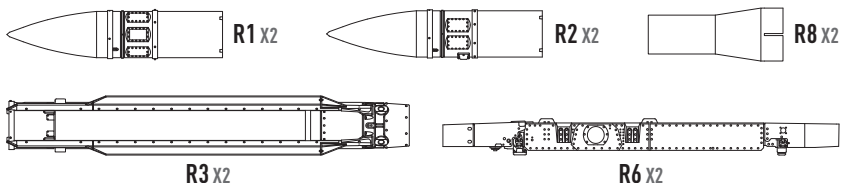


DETAILS AFTER REMOVAL FROM SPRUES



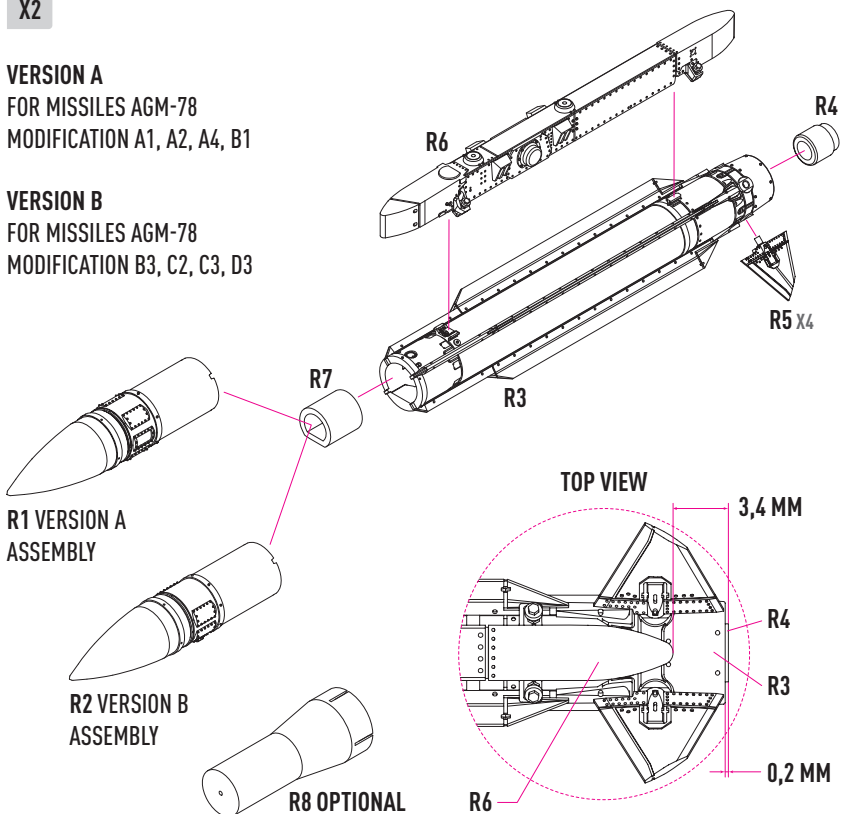
USE A SAW TO REMOVE SUPPORTS
FROM 3D PRINTED PARTS



X2

VERSION A
FOR MISSILES AGM-78
MODIFICATION A1, A2, A4, B1

VERSION B
FOR MISSILES AGM-78
MODIFICATION B3, C2, C3, D3



COLORS	GUNZE / AODEUS	GUNZE / MR.COLOR
RED BROWN	H47	C41
WHITE	H316	C316
BROWN	H7	C7

