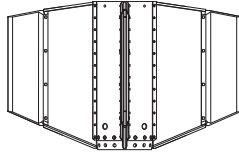


CUT

USE A SAW TO REMOVE SUPPORTS
FROM 3D PRINTED PARTS



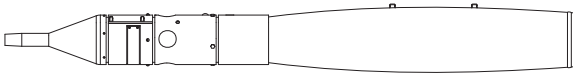
R3 X2



R1 X2



R6 X2



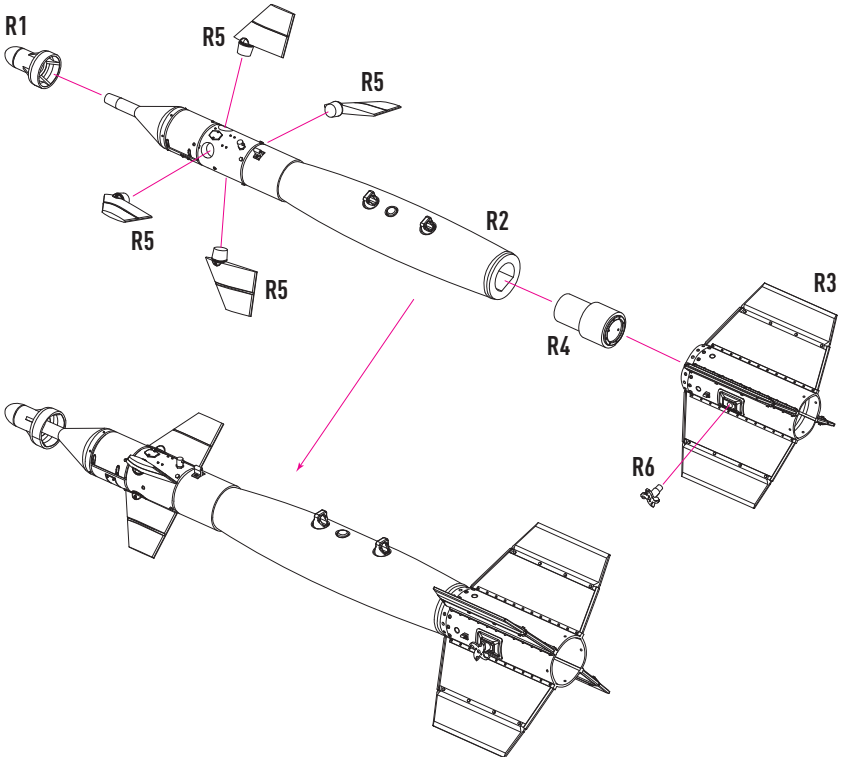
R2 X2

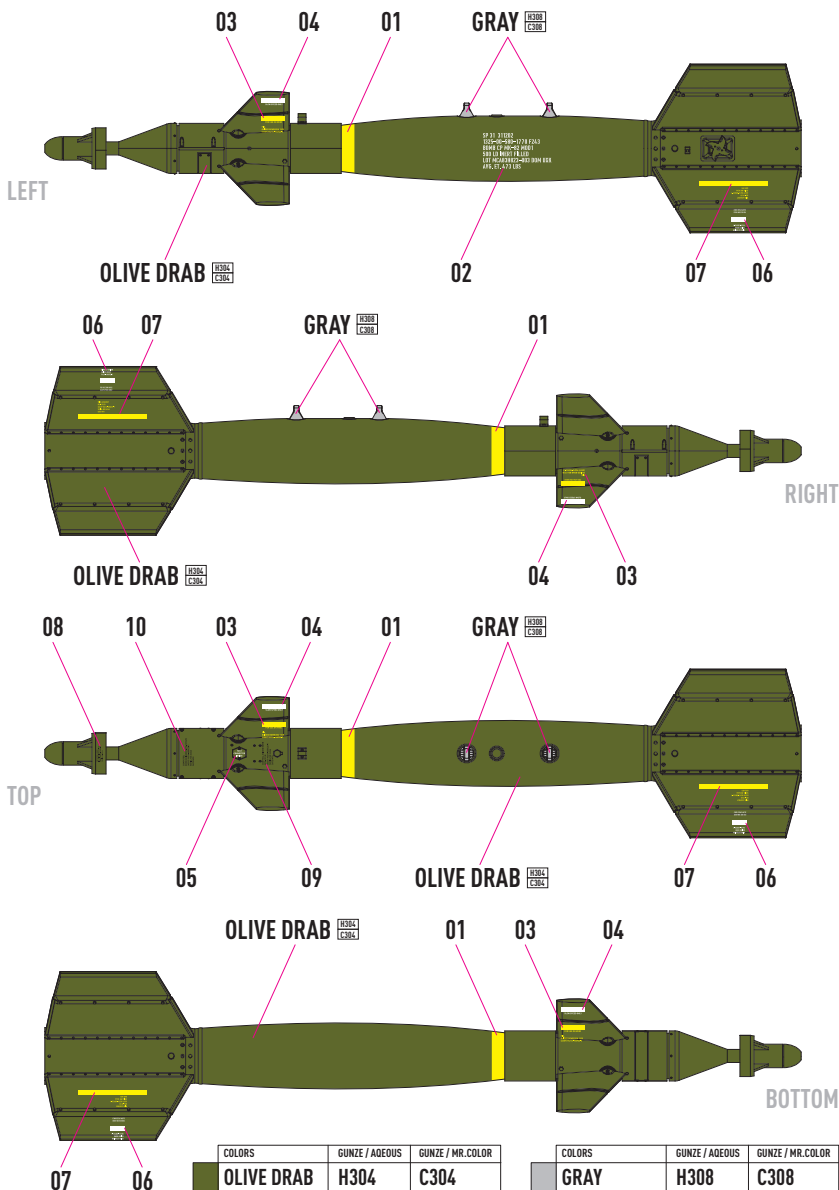


R5 X8



R4 X2





COLORS	GUNZE / AGEUS	GUNZE / MR.COLOR
OLIVE DRAB	H304	C304

COLORS	GUNZE / AGEUS	GUNZE / MR.COLOR
GRAY	H308	C308