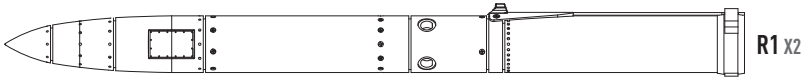
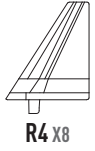
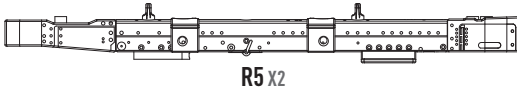
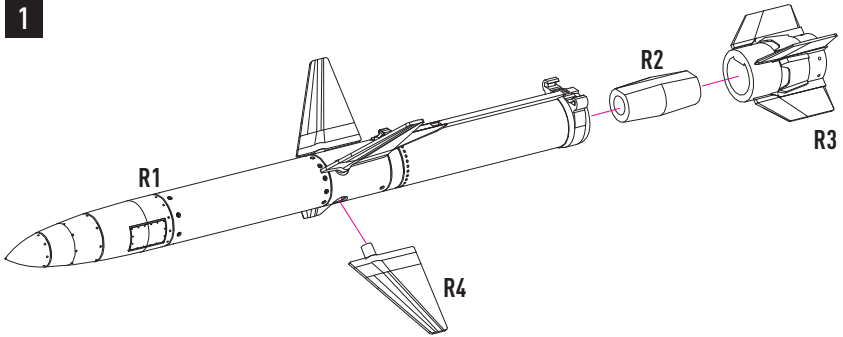


### DETAILS AFTER REMOVAL FROM SUPPORTS

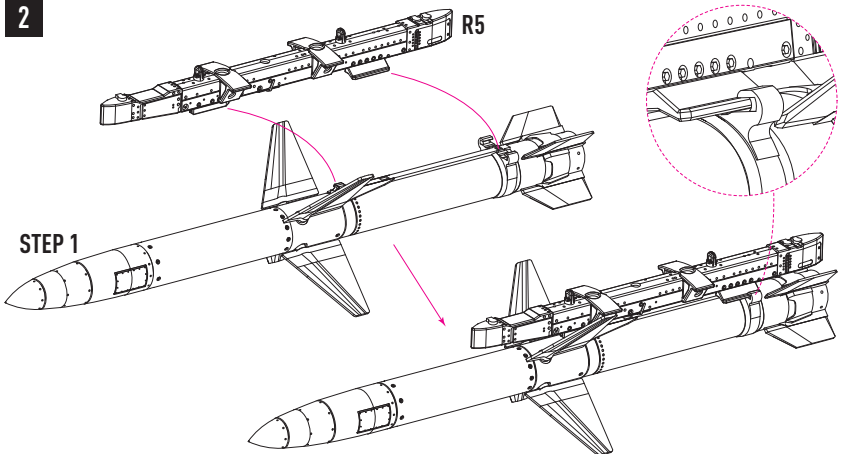
USE A SAW TO REMOVE SUPPORTS  
FROM 3D PRINTED PARTS

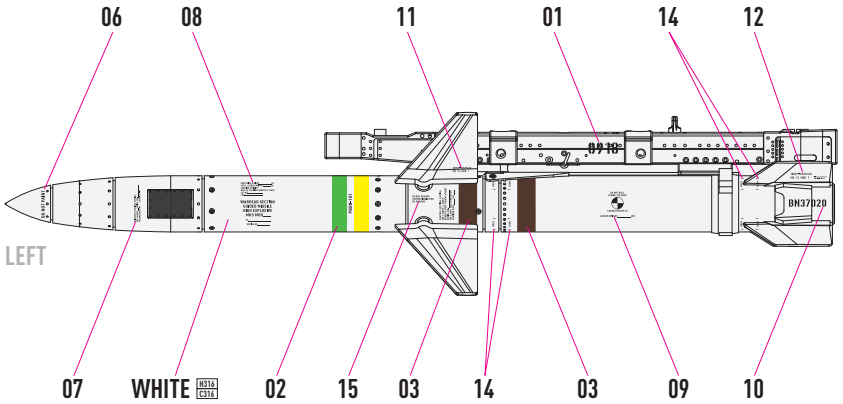
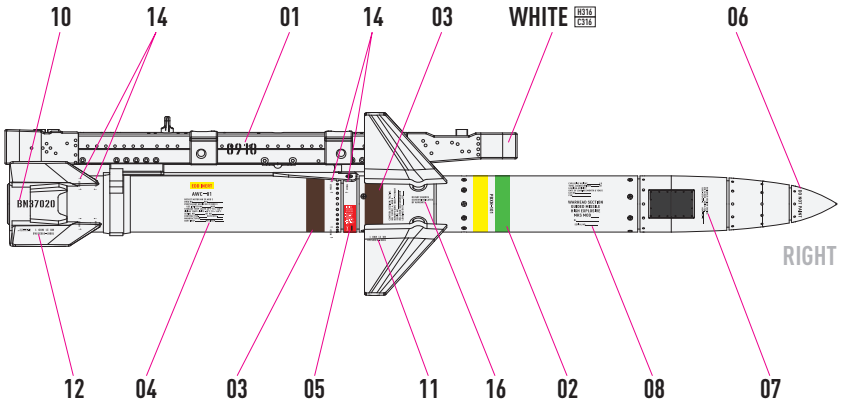


1



2





COLORS	GUNZE / AEGEUS	GUNZE / MR.COLOR
WHITE	H316	C316

