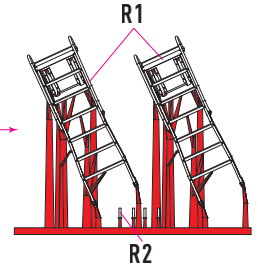
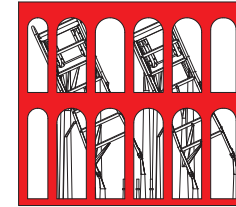


**CUT**

**REMOVE  
PROTECTIVE COVER**

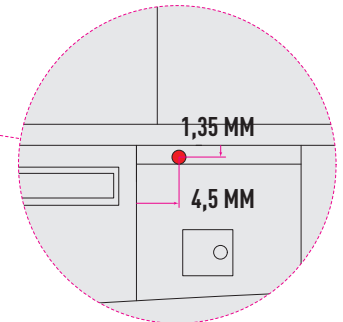
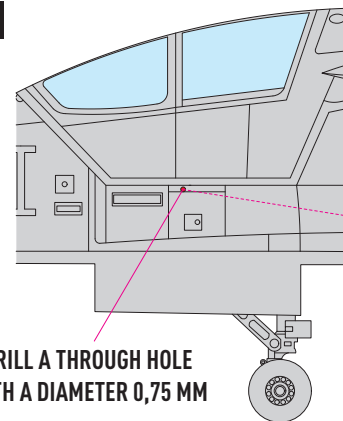
USE A SAW TO REMOVE SUPPORTS  
FROM 3D PRINTED PARTS



**1**

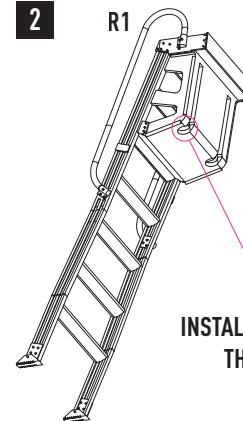
**SIDE OF THE AIRCRAFT (LEFT)**  
REPEAT FOR RIGHT

**DRILL A THROUGH HOLE  
WITH A DIAMETER 0,75 MM**

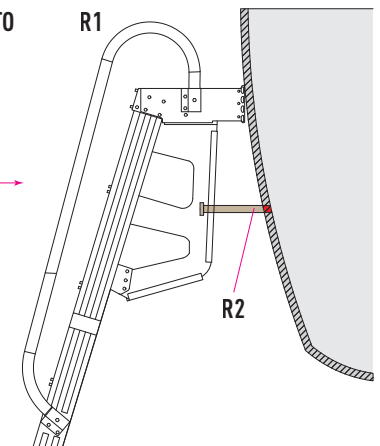


**2**

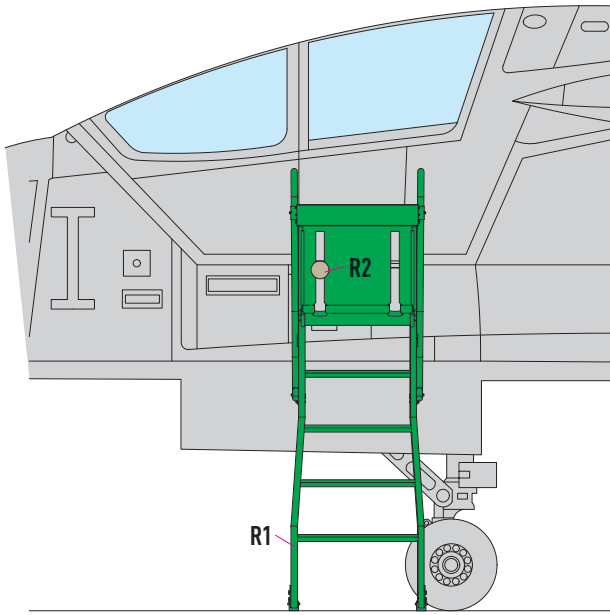
**INSTALL PART R2 INTO  
THE FUSELAGE**



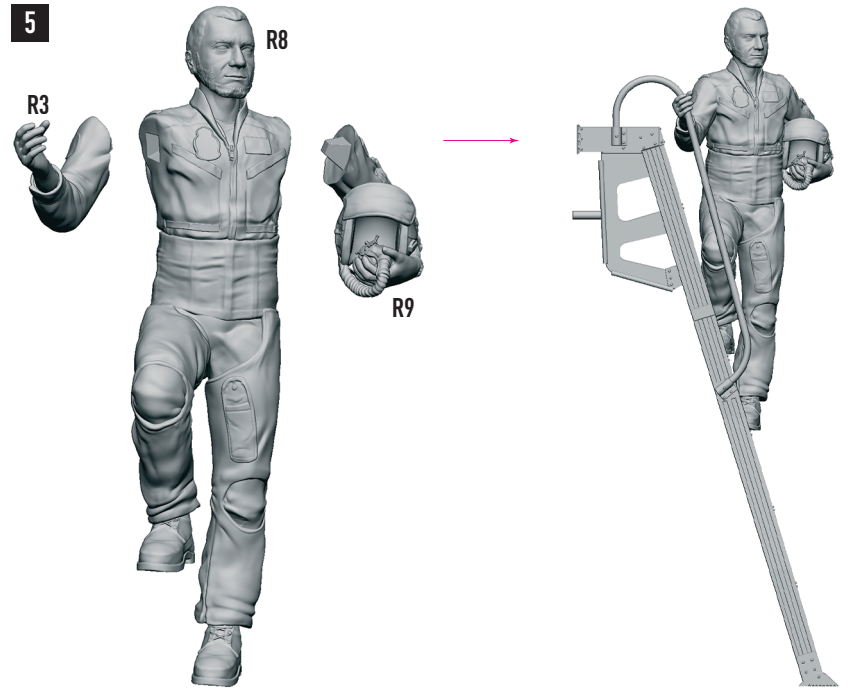
**INSTALL PART R1 ON PART R2  
THROUGH THE HOLE**



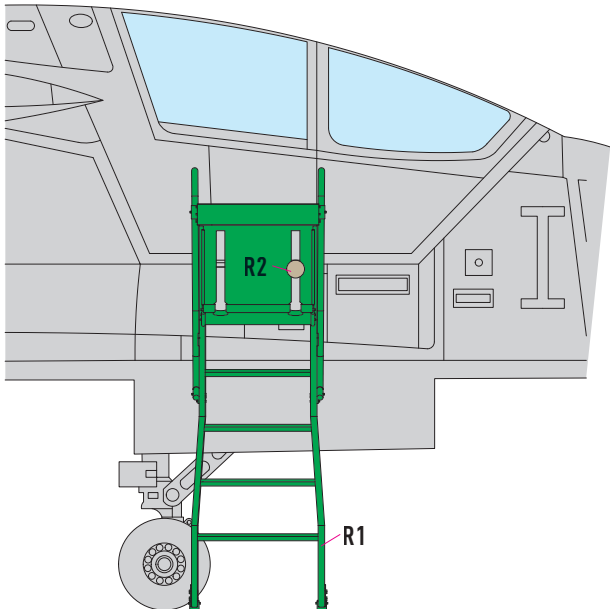
**3** LEFT SIDE



**5**



**4** RIGHT SIDE



**6**

