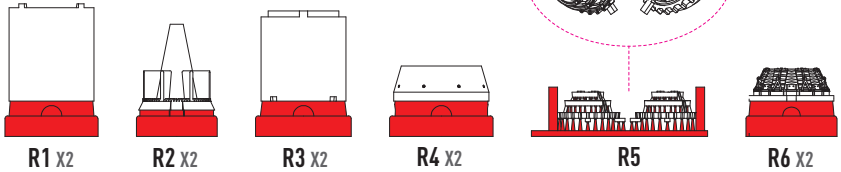
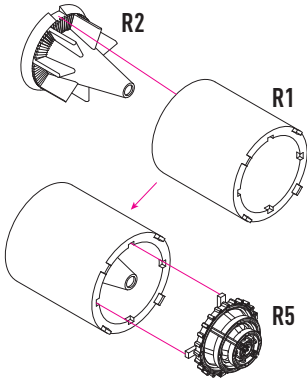


CUT

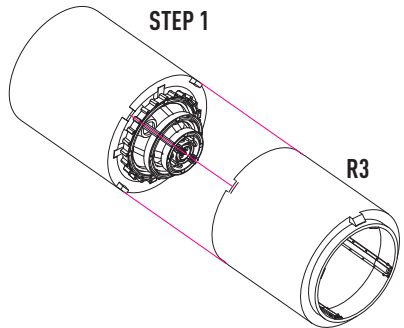
 USE A SAW TO REMOVE SUPPORTS FROM 3D PRINTED PARTS



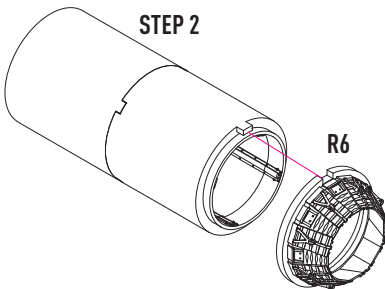
1 X2



2 X2



3 X2



4 X2

