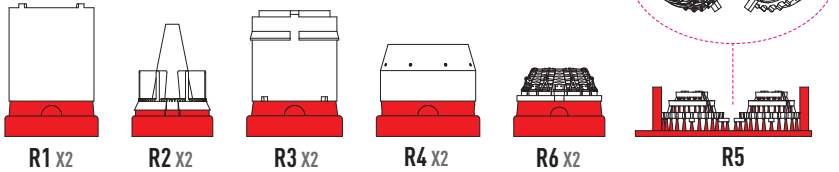
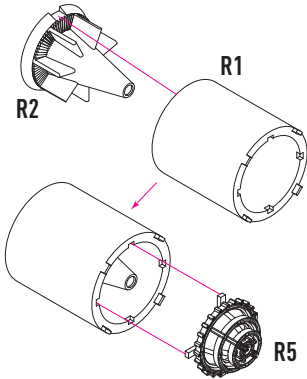


### CUT

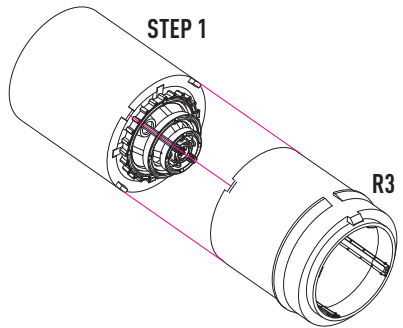
USE A SAW TO REMOVE SUPPORTS  
FROM 3D PRINTED PARTS



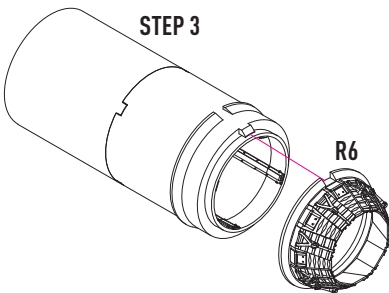
**1** X2



**2** X2



**3** X2



**4** X2

