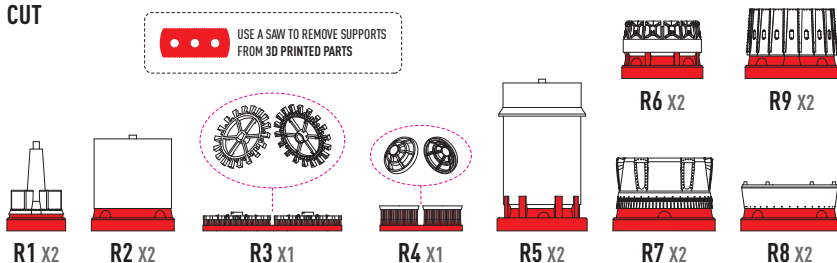
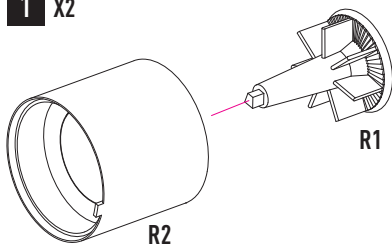


CUT

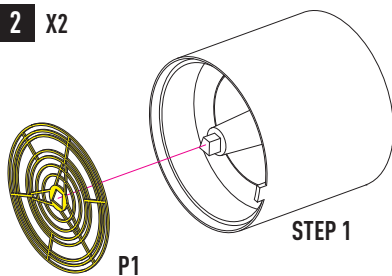
USE A SAW TO REMOVE SUPPORTS FROM 3D PRINTED PARTS



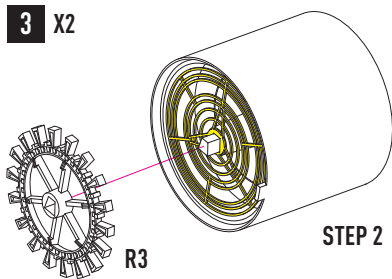
1 X2



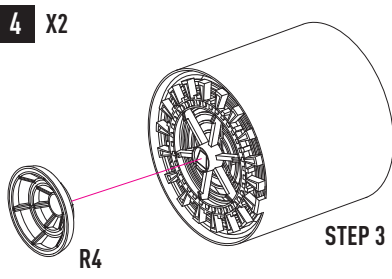
2 X2



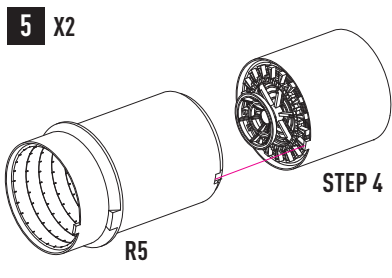
3 X2



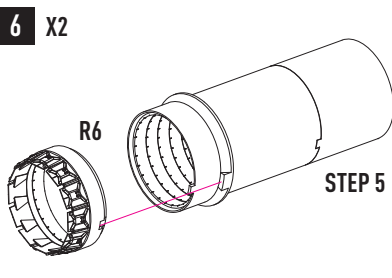
4 X2



5 X2

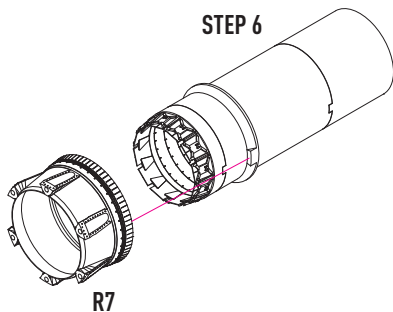


6 X2

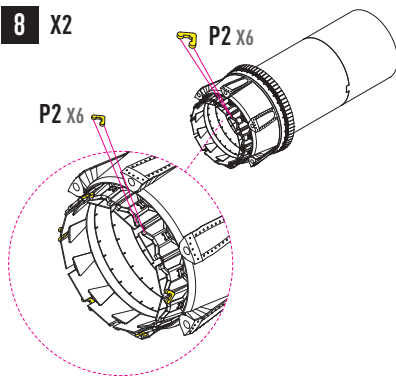


7 X2

STEP 6

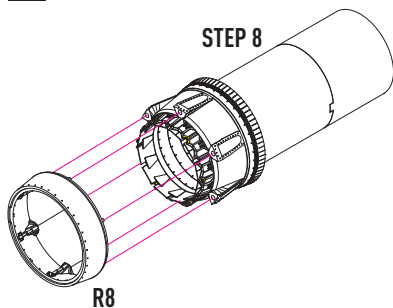


8 X2



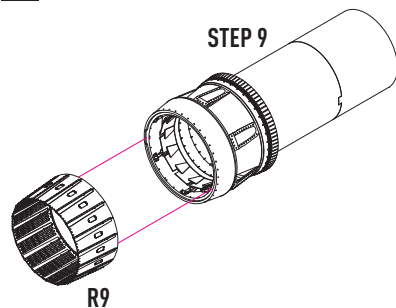
9 X2

STEP 8



10 X2

STEP 9



11 X2

