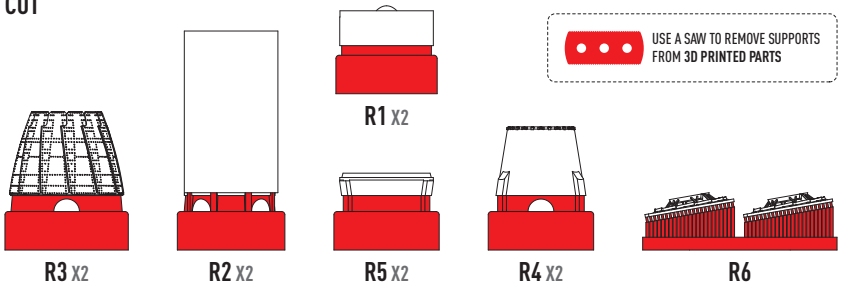
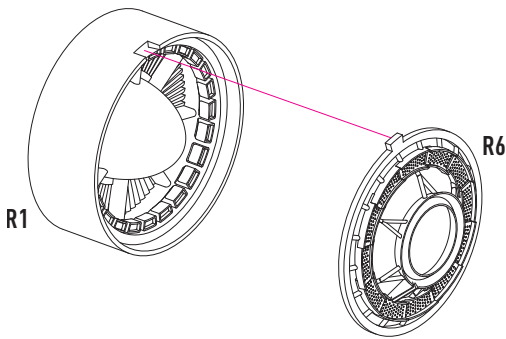


CUT



1 X2



X2 2

