



RESIN PARTS  
FOR SCALE PLASTIC KITS

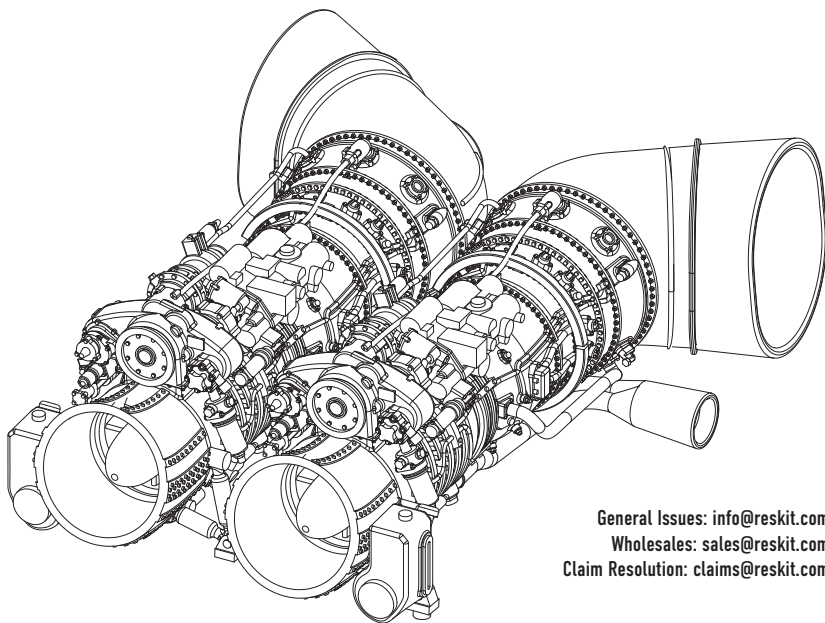
INSTRUCTION **RSU48-0049**

YOU CAN FIND INSTRUCTIONS  
IN PDF FORMAT ON THE WEBSITE

**RESKIT-MODELS.COM**

# MI-24 ENGINES

## FOR ZVEZDA KIT



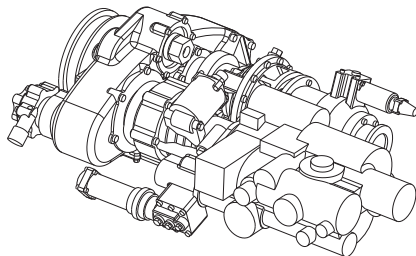
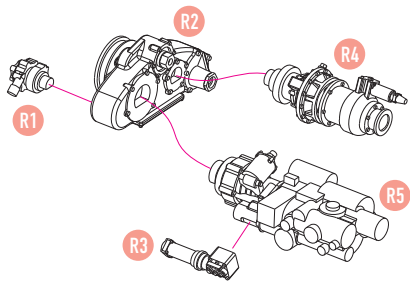
General Issues: [info@reskit.com.ua](mailto:info@reskit.com.ua)  
Wholesales: [sales@reskit.com.ua](mailto:sales@reskit.com.ua)  
Claim Resolution: [claims@reskit.com.ua](mailto:claims@reskit.com.ua)

[fb.com/reskit.official](https://www.facebook.com/reskit.official)

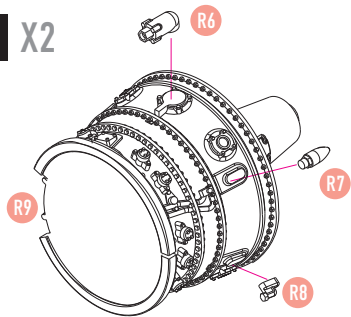
[instagram.com/reskit\\_official](https://www.instagram.com/reskit_official)

[pinterest.com/reskit\\_official](https://www.pinterest.com/reskit_official)

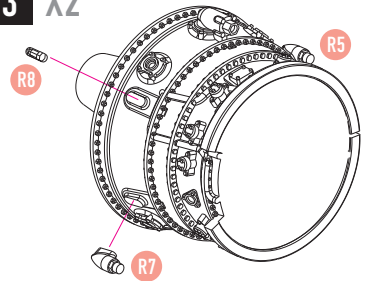
**1** X2



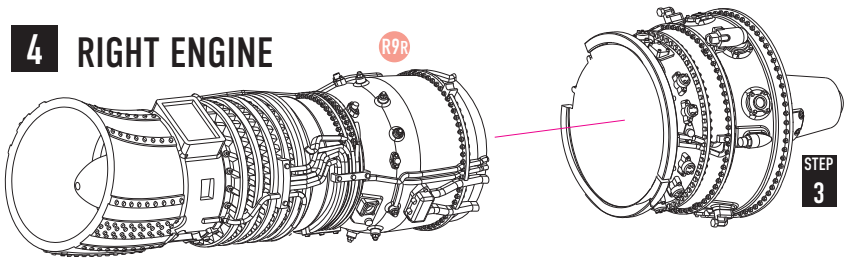
**2** X2



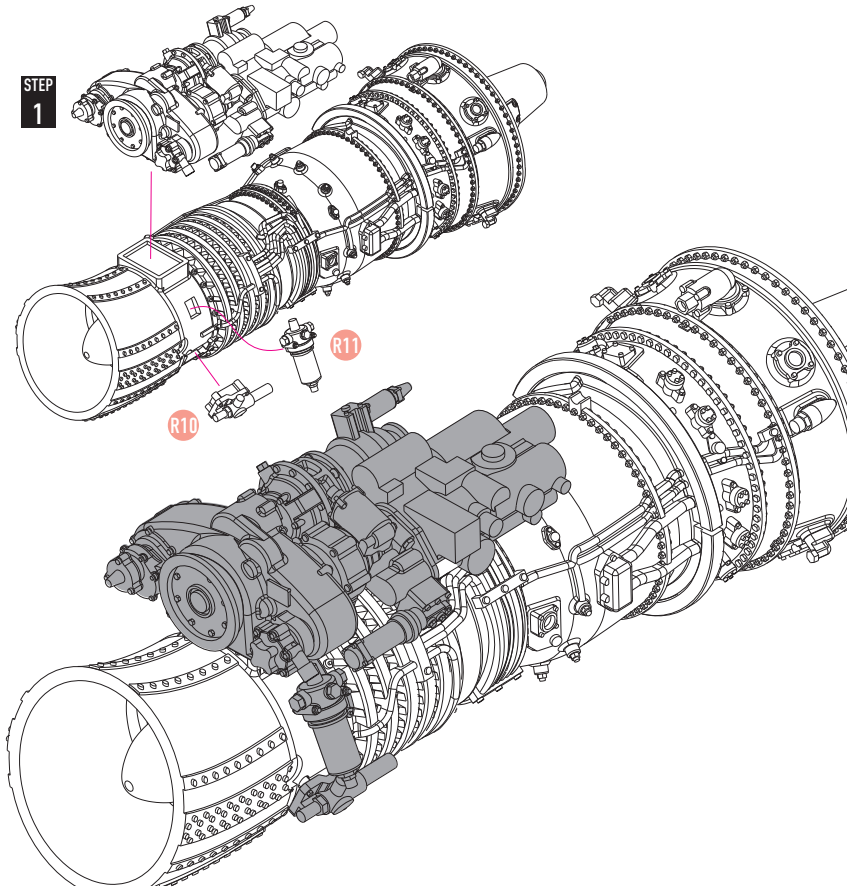
**3** X2



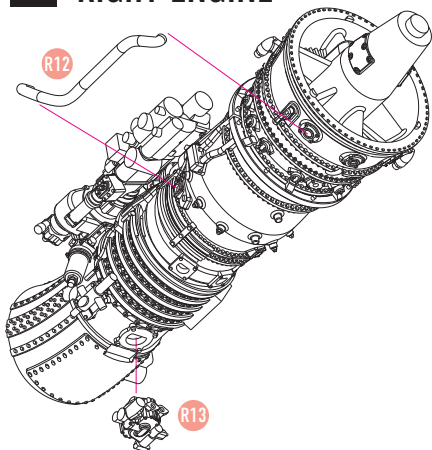
## 4 RIGHT ENGINE



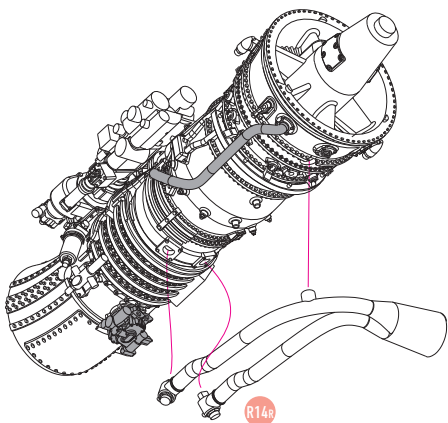
## 5



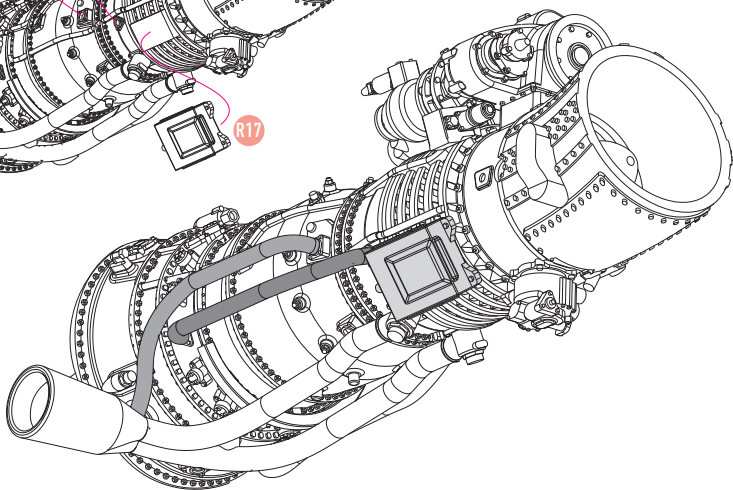
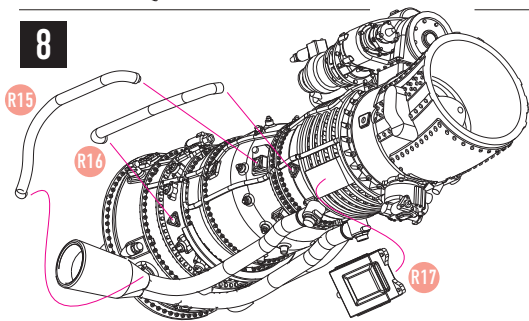
## 6 RIGHT ENGINE



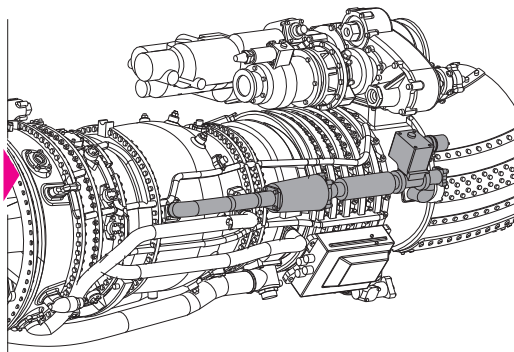
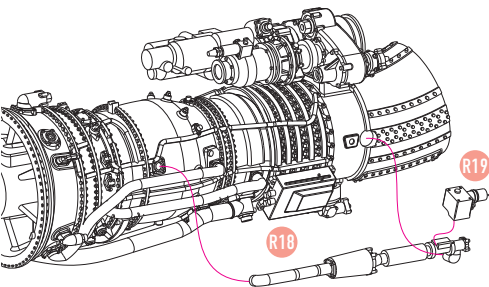
## 7



## 8

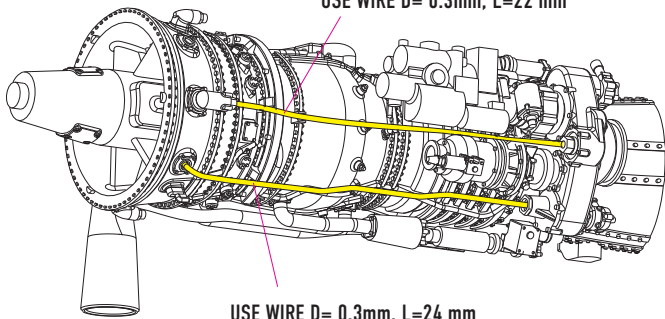


## 9 RIGHT ENGINE



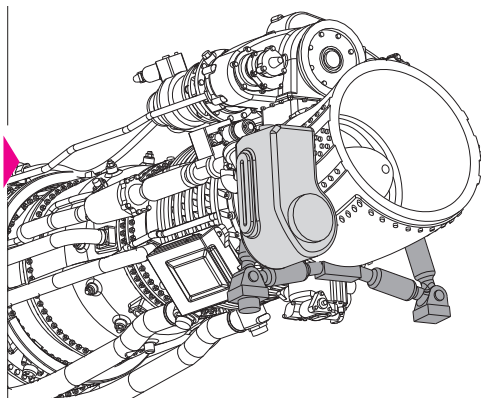
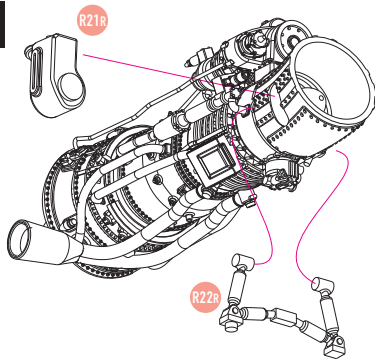
## 10

USE WIRE D= 0.3mm, L=22 mm

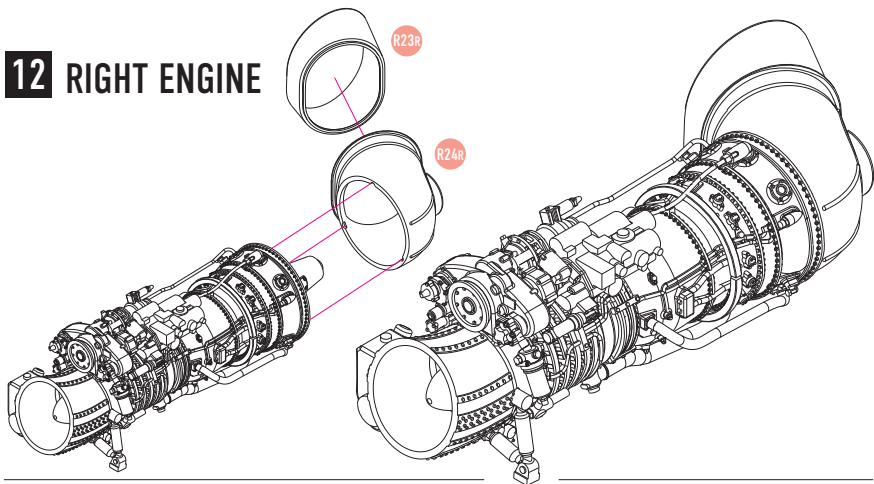


USE WIRE D= 0.3mm, L=24 mm

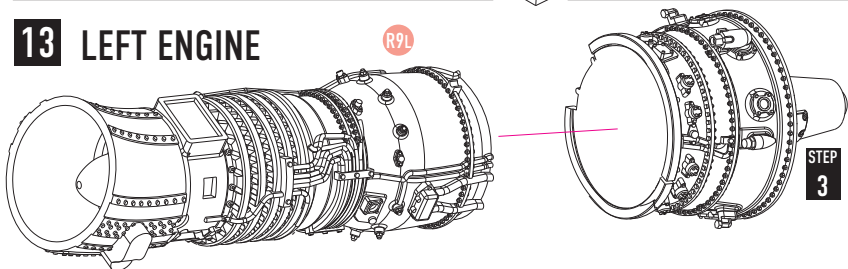
## 11



## 12 RIGHT ENGINE



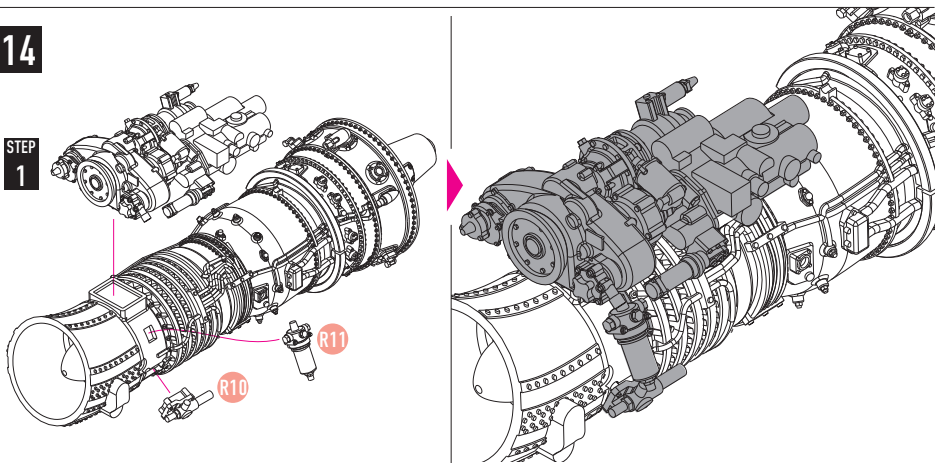
## 13 LEFT ENGINE



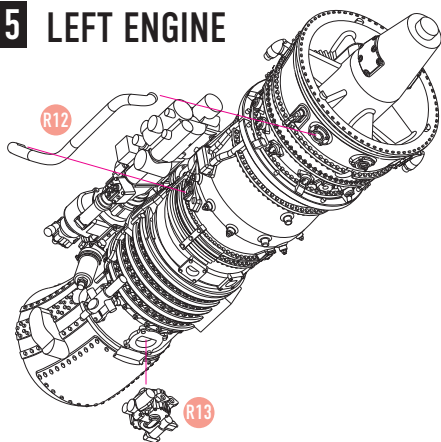
STEP  
3

## 14

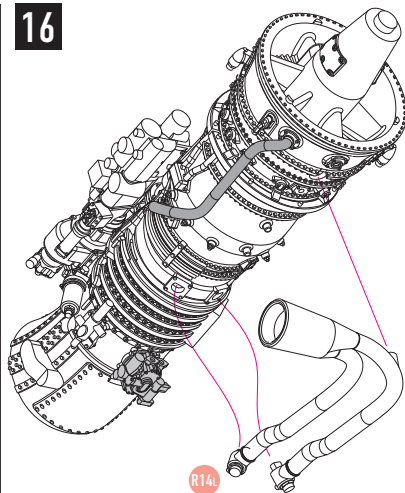
STEP  
1



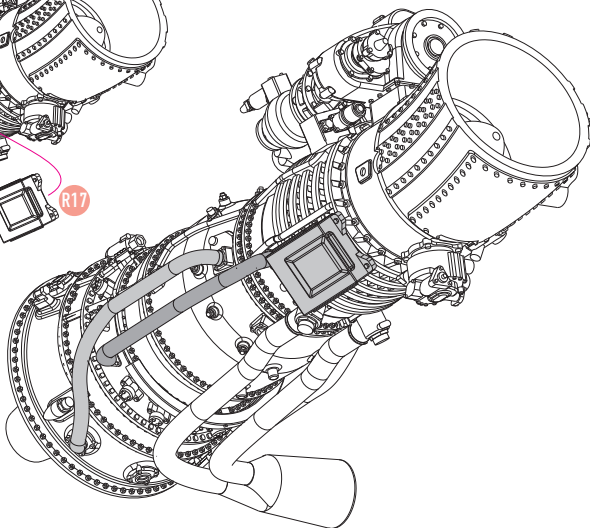
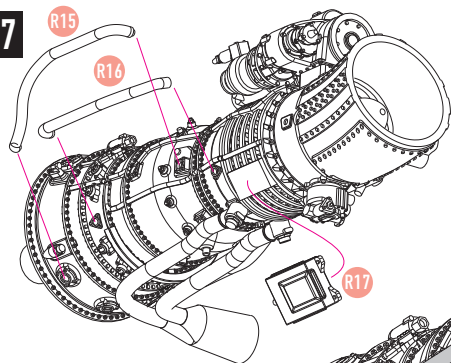
# 15 LEFT ENGINE



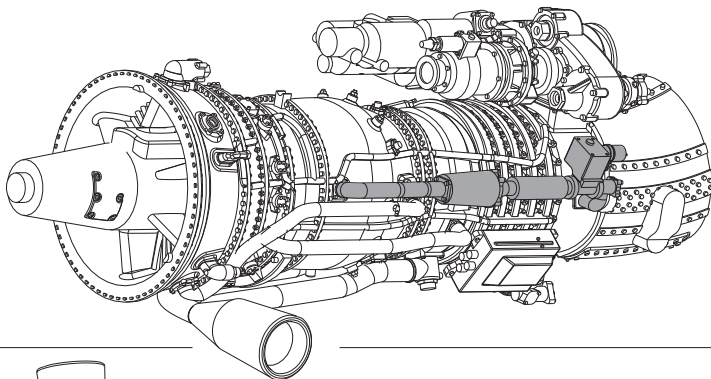
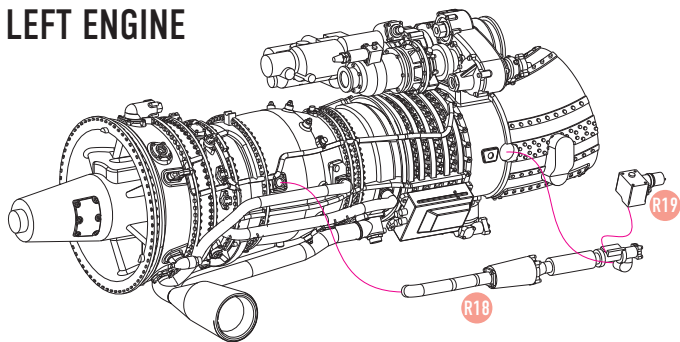
# 16



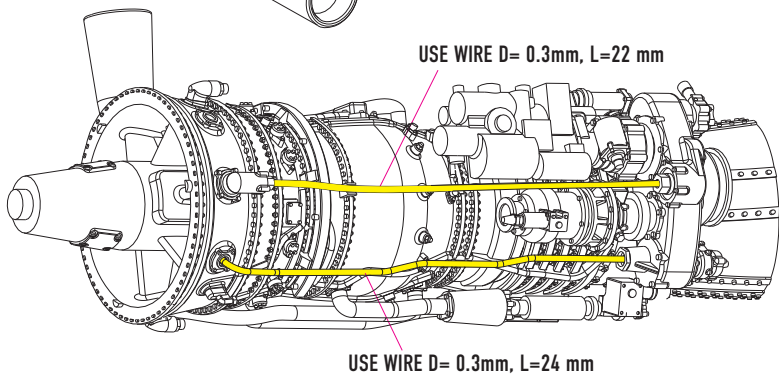
# 17



## 18 LEFT ENGINE

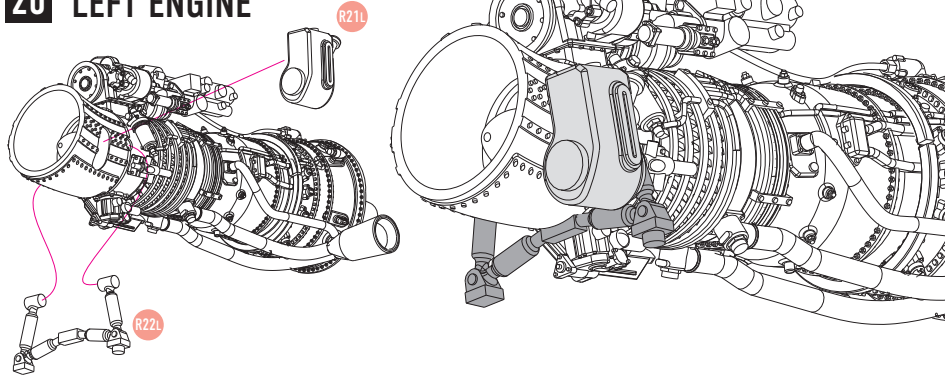


## 19

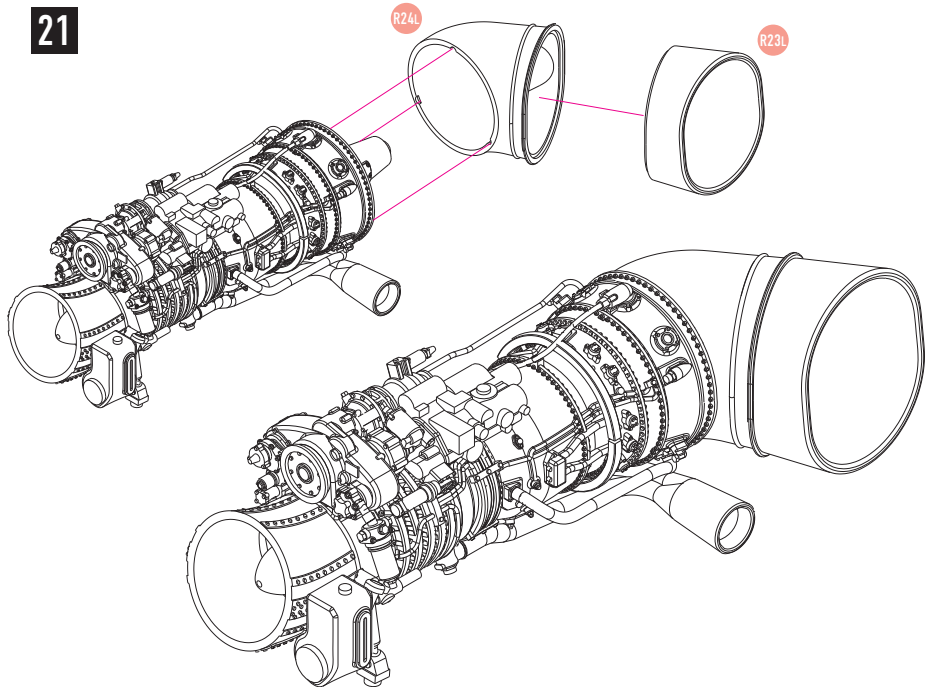




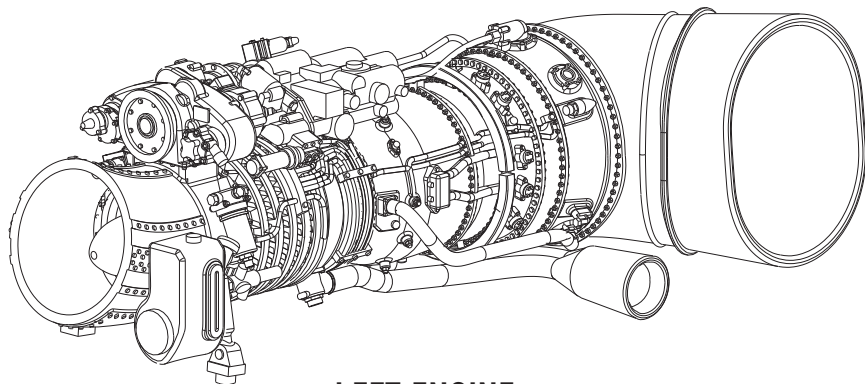
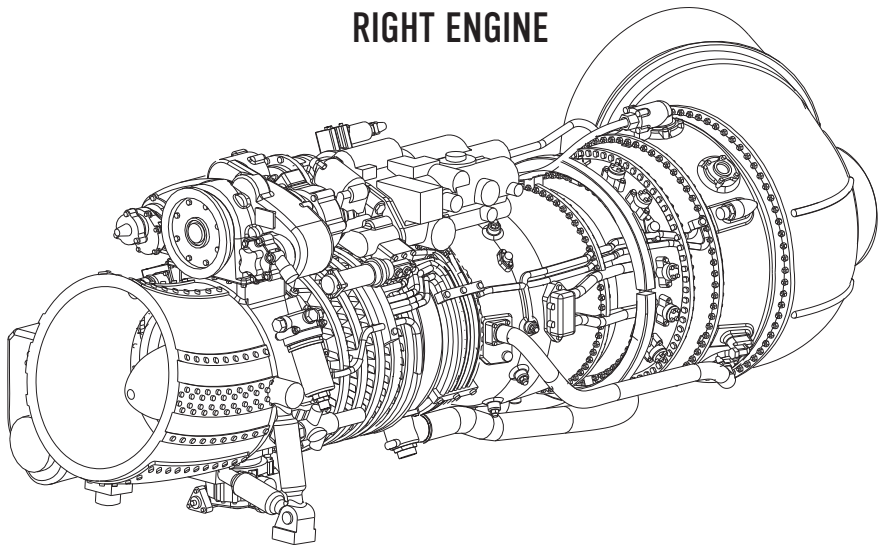
## 20 LEFT ENGINE



## 21

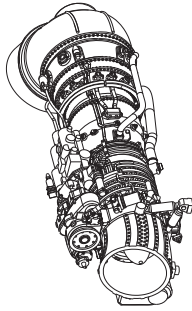


## RIGHT ENGINE

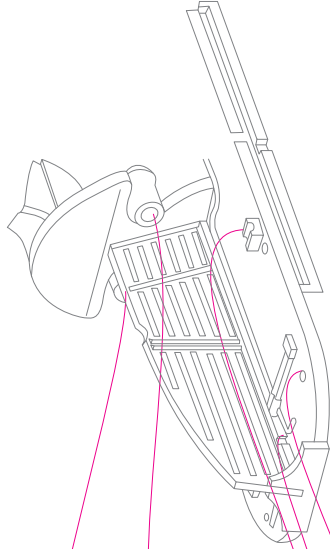
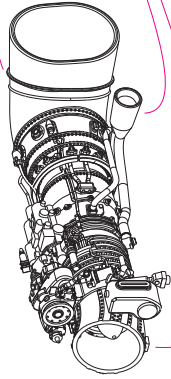


## LEFT ENGINE

**RIGHT ENGINE**



**LEFT ENGINE**



**ZVEZDA KIT PARTS**

YOU CAN FIND INSTRUCTIONS  
IN PDF FORMAT ON THE WEBSITE

[WWW.RESKIT.COM.UA](http://WWW.RESKIT.COM.UA)

General Issues: [info@reskit.com.ua](mailto:info@reskit.com.ua)  
Wholesales: [sales@reskit.com.ua](mailto:sales@reskit.com.ua)  
Claim Resolution: [claims@reskit.com.ua](mailto:claims@reskit.com.ua)