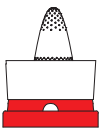
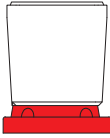


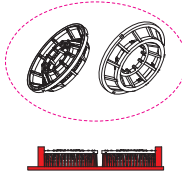
CUT



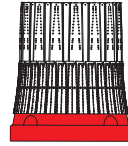
R1 X2



R2 X2



R3

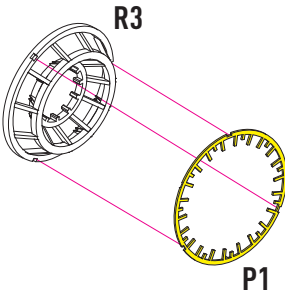


R4 X2



R5 X2

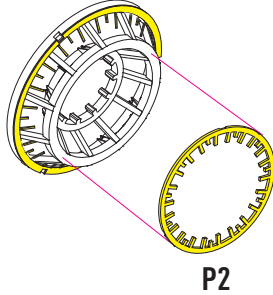
1 X2



R3

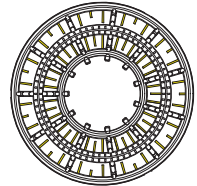
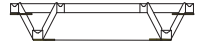
P1

2 X2

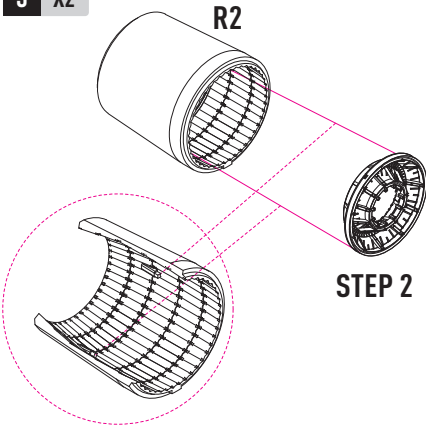


P2

P1 AND P2 PART ORIENTATION



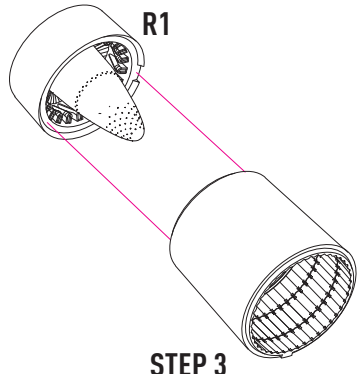
3 X2



R2

STEP 2

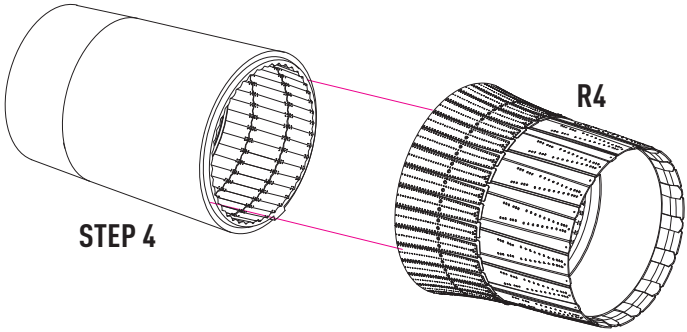
4 X2



R1

STEP 3

5 X2



6 X2

