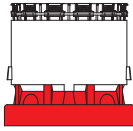


CUT

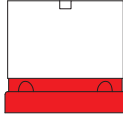
USE A SAW TO REMOVE SUPPORTS FROM 3D PRINTED PARTS



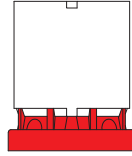
R1



R2



R3



R5

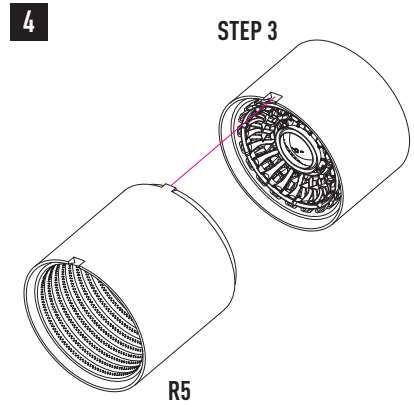
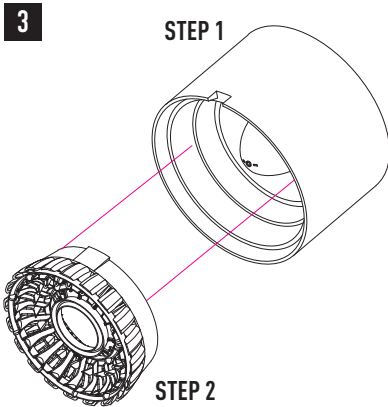
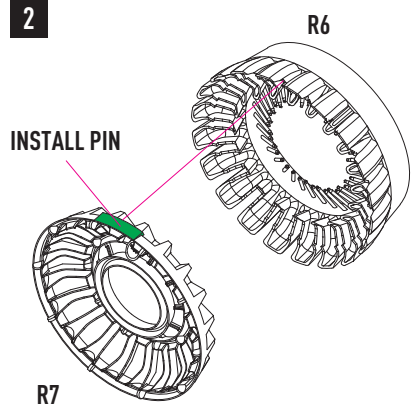
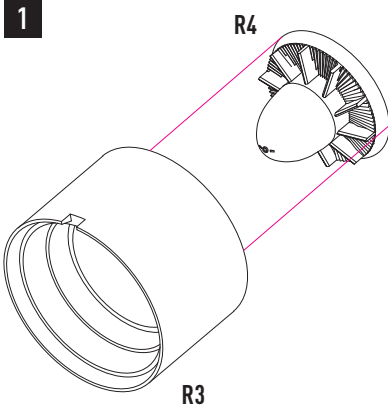


R4

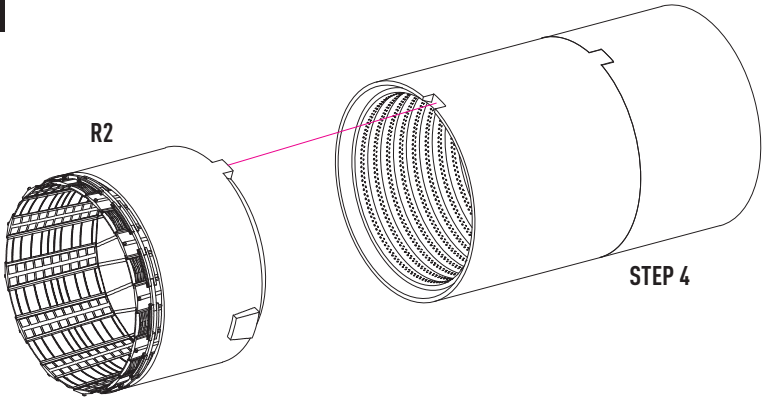


R6

R7



5



6

