

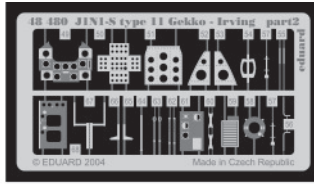
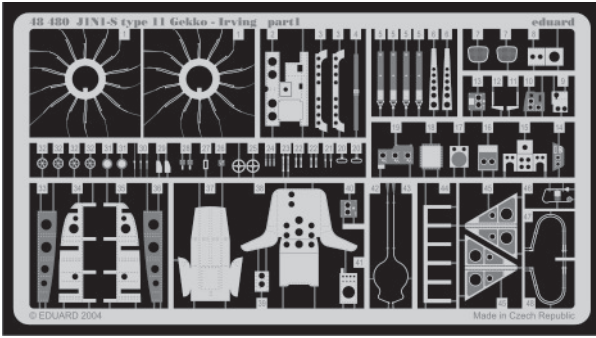


J1N1-S Gekko type 11

1/48 scale detail set for Tamiya kit • sada detailů pro model 1/48 Tamiya

eduard

48 480



Film

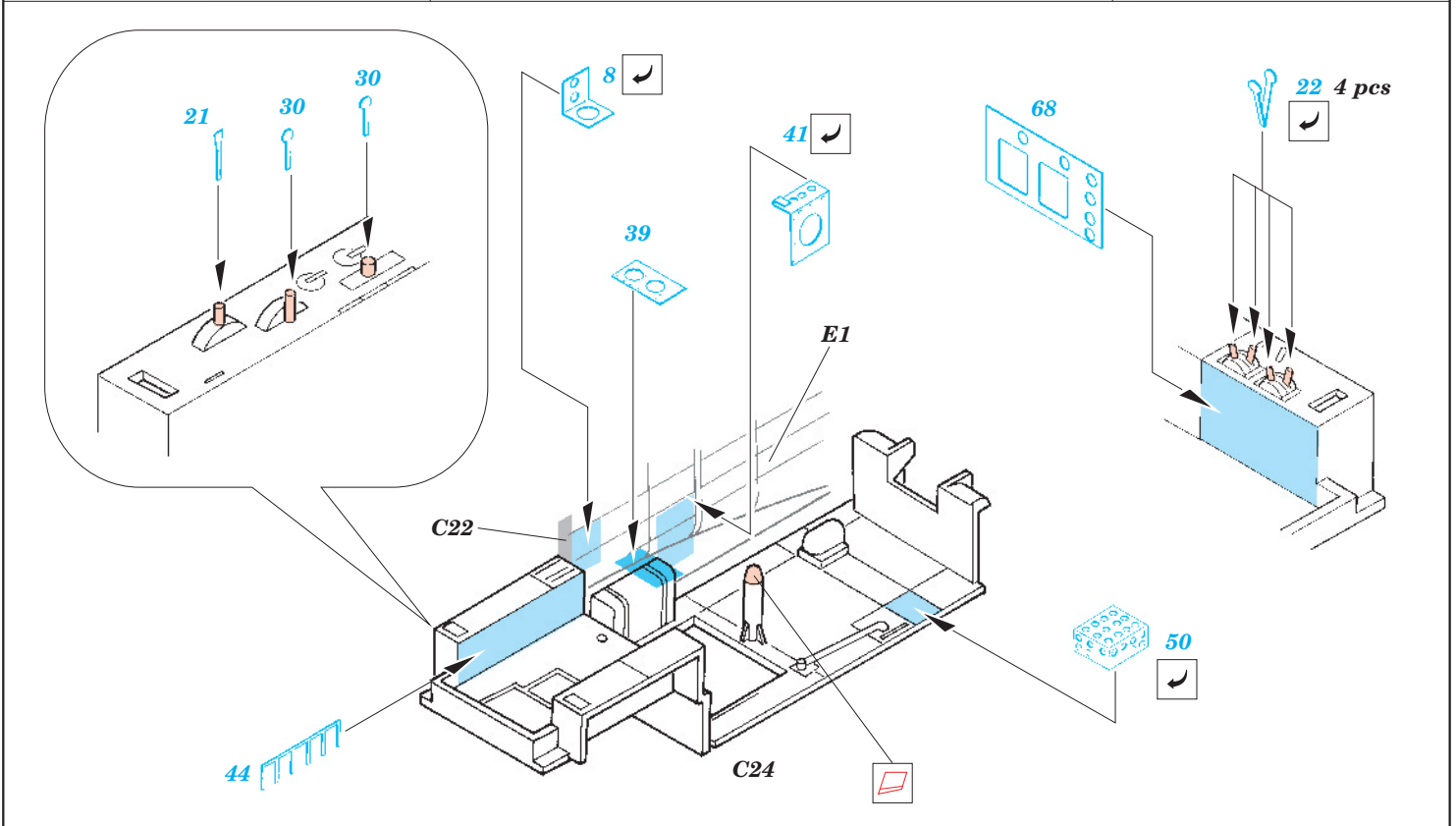
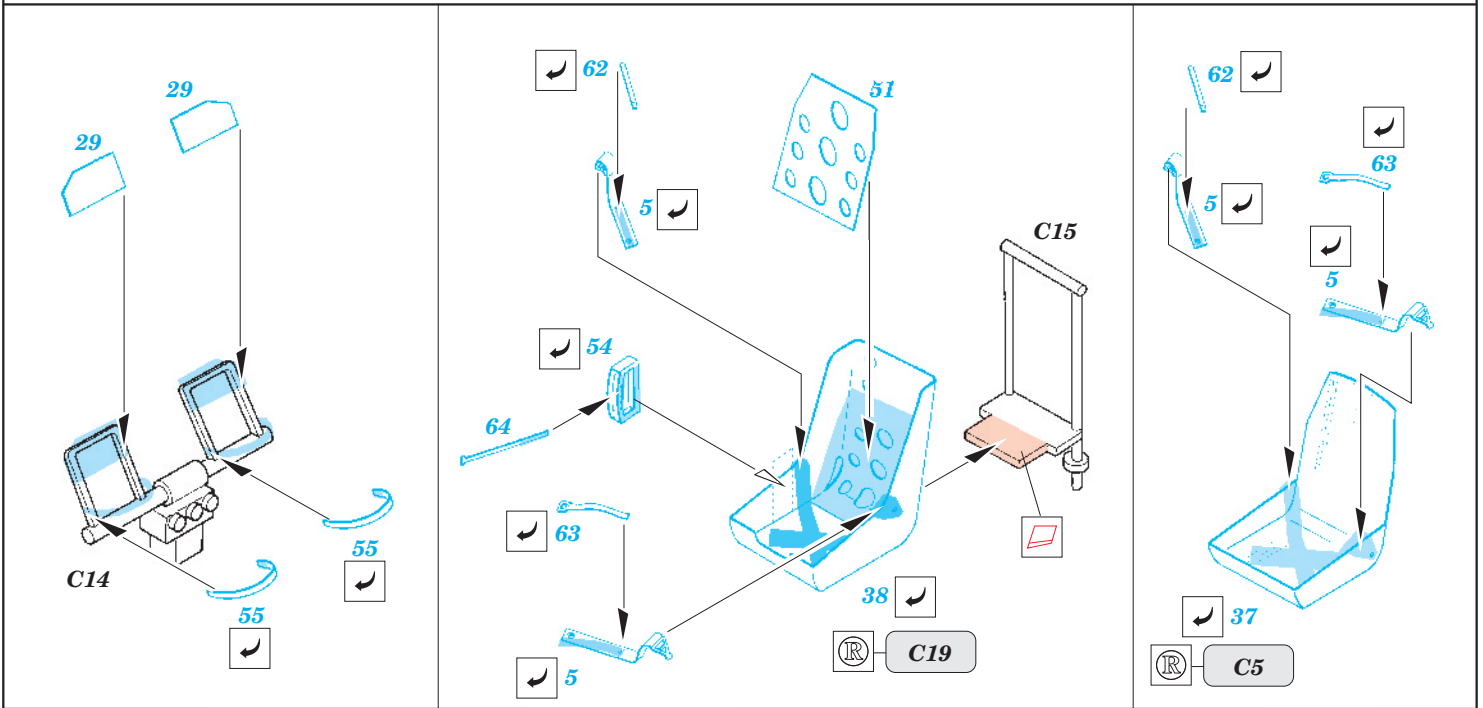
- APPLY EXPRESS MASK AND PAINT BEFORE GLUING
POUŽIT EXPRESS MASK NABARVIT PŘED SLEPENÍM
- SYMMETRICAL ASSEMBLY
SYMETRICKÁ MONTÁŽ
- REMOVE
ODSTRANIT
- GRIND
OBROUSIT
- DRILL HOLE
VRTAT OTVOR
- BEND
OHNOUT
- OPTION
VOLBA
- REPLACE
NAHRADIT

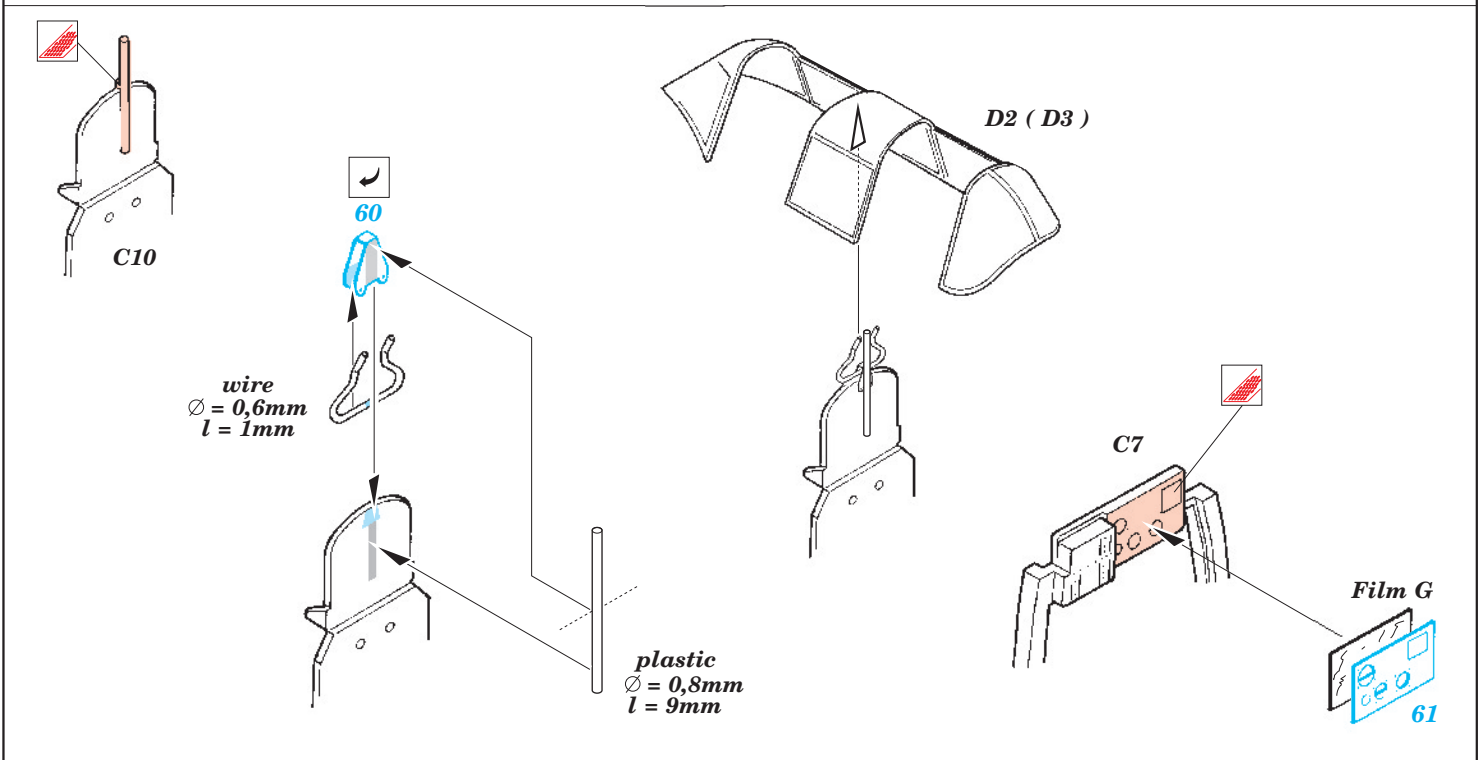
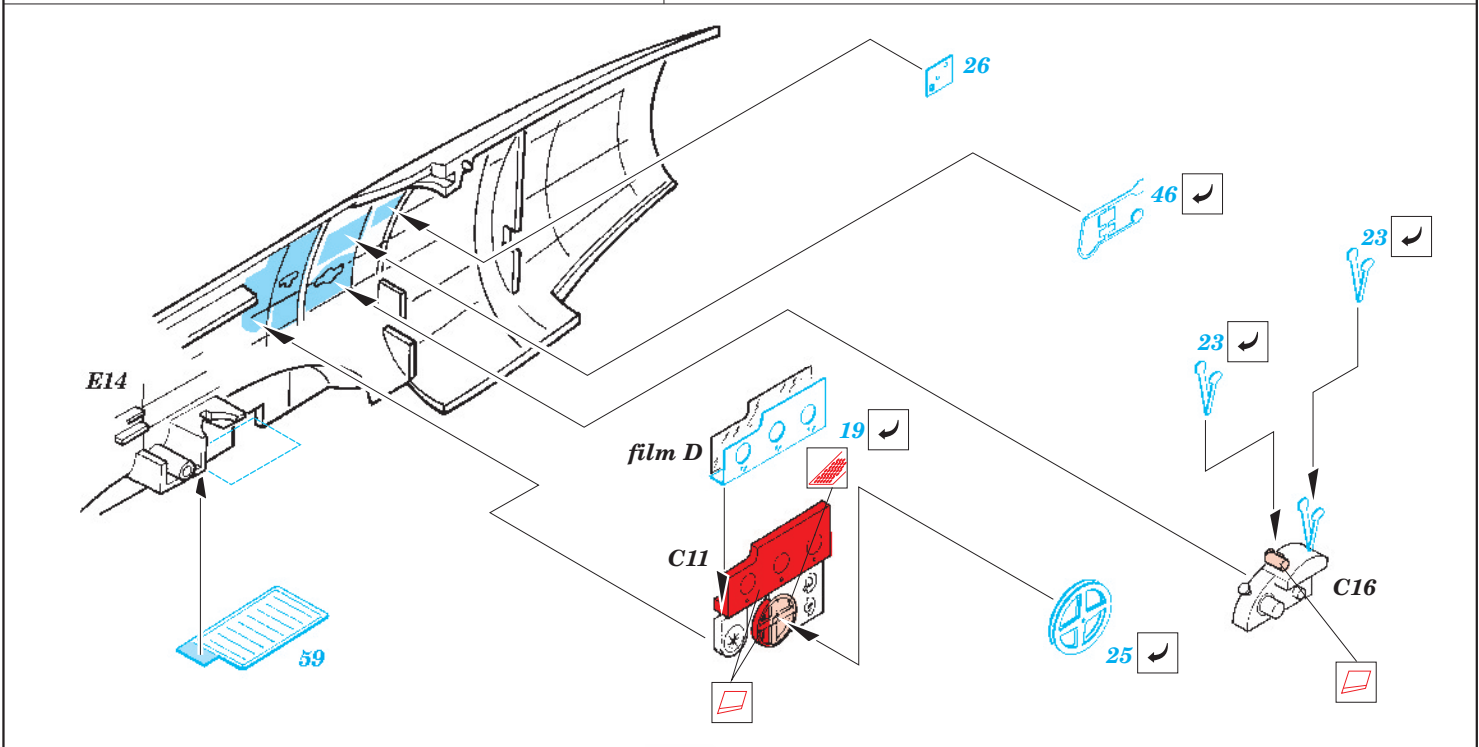
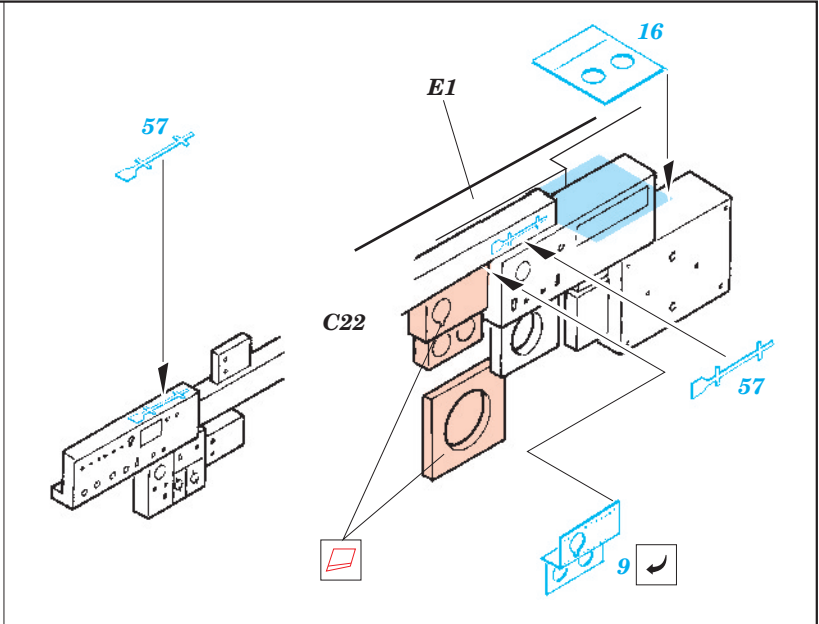
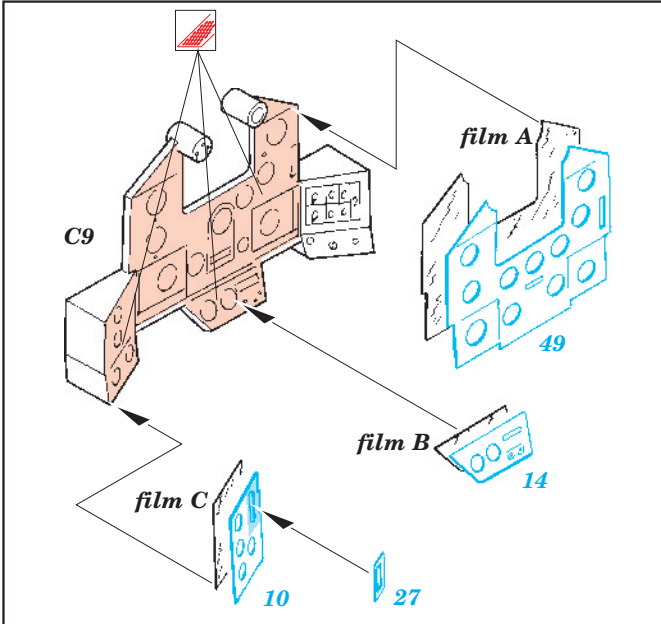
ORIGINAL KIT PARTS
PŮVODNÍ DÍLY STAVEBNICE

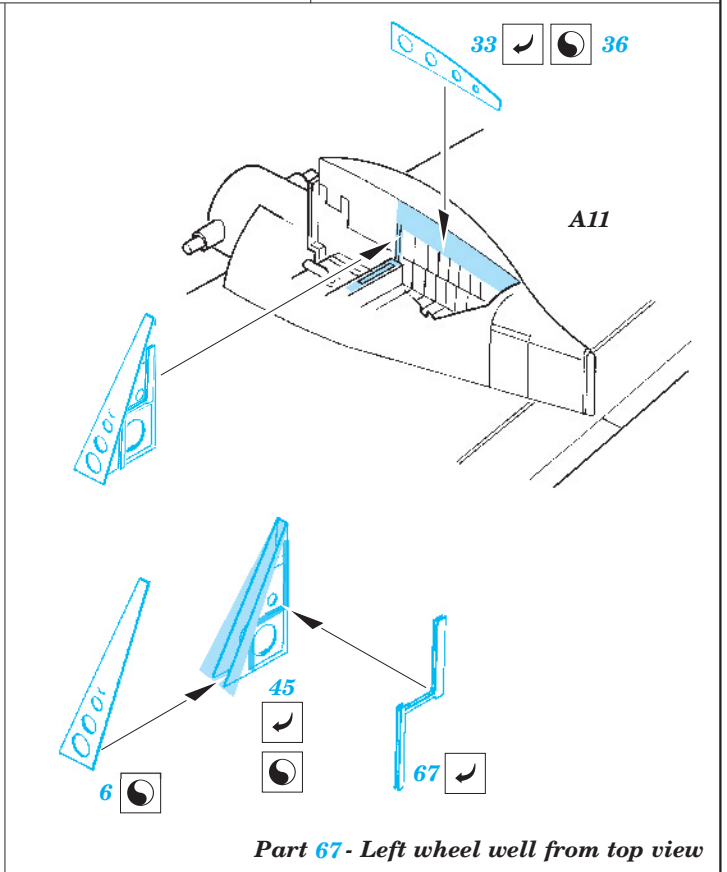
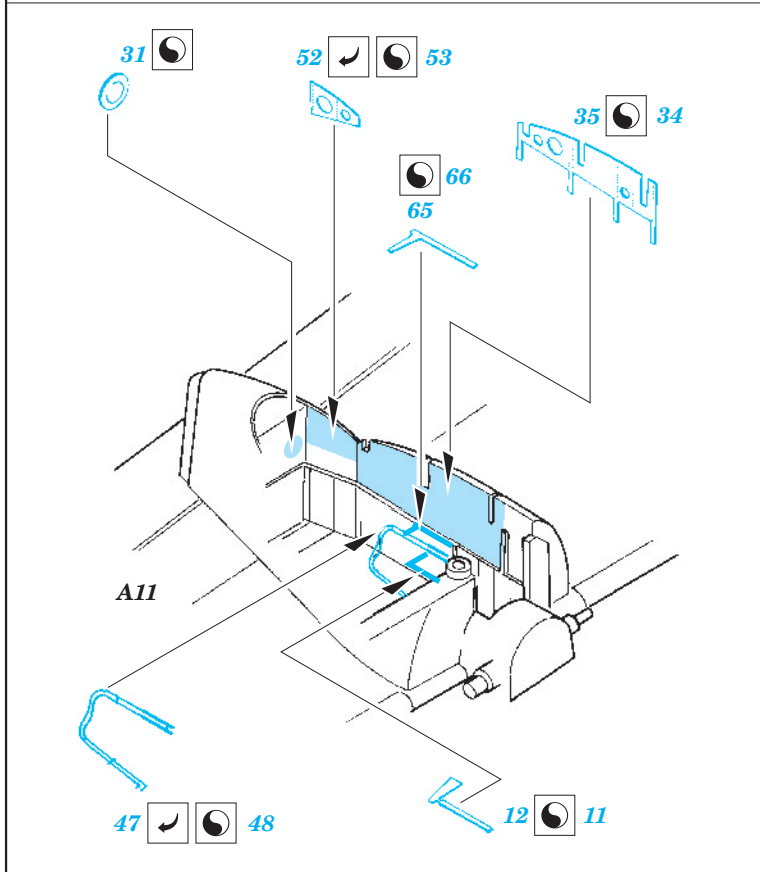
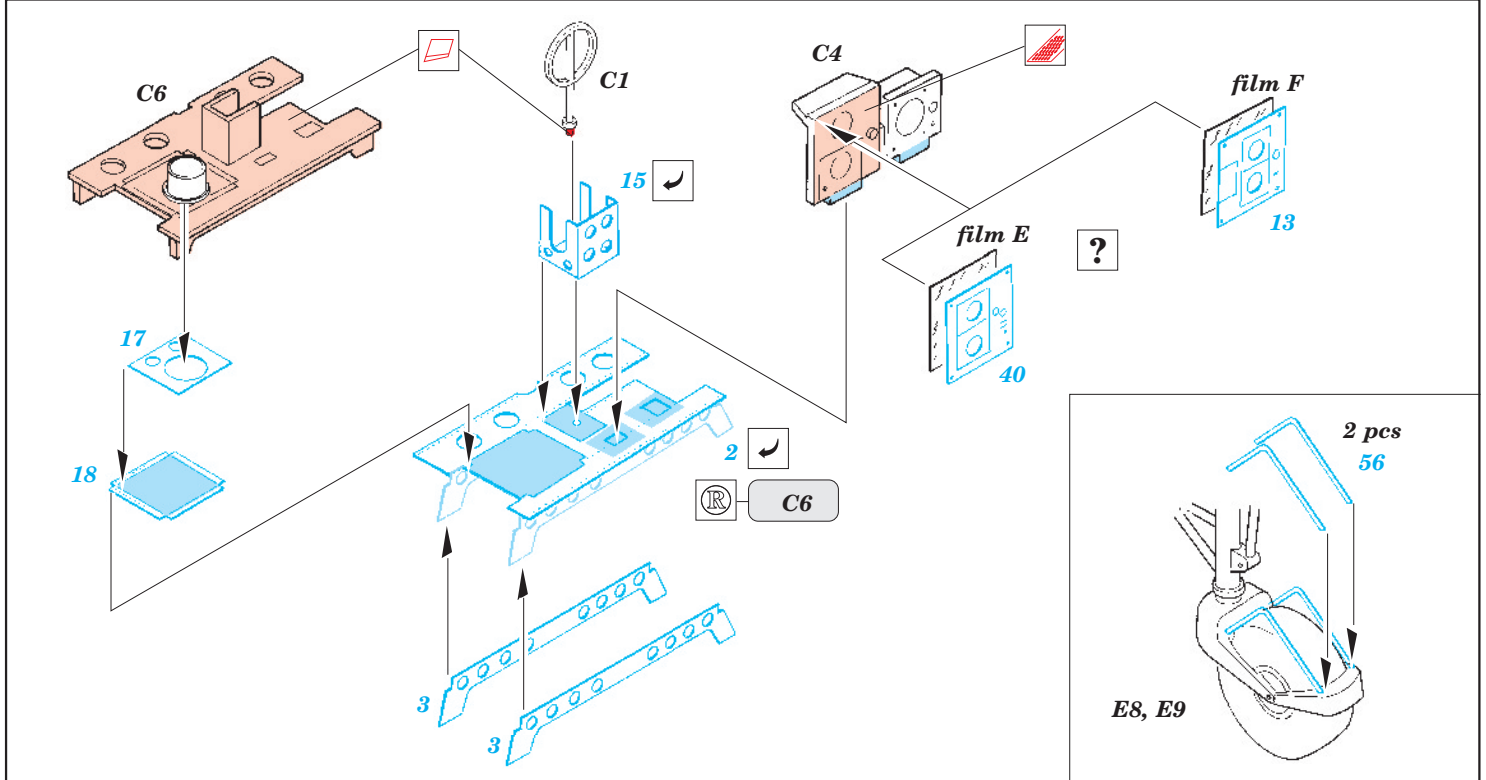
PHOTO-ETCHED PARTS
LEPTANÉ DÍLY

PARTS TO BE REMOVED
DÍLY K ODSTRANĚNÍ

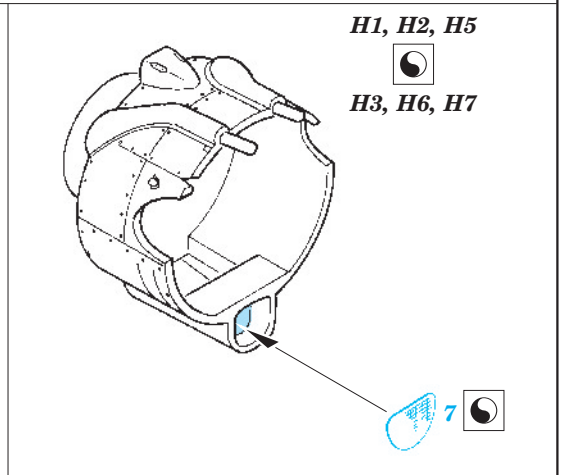
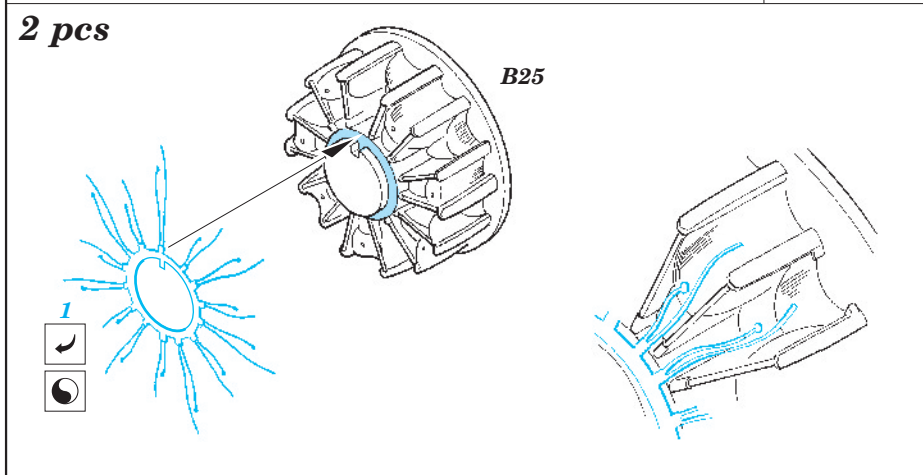
FILL
TMELIT

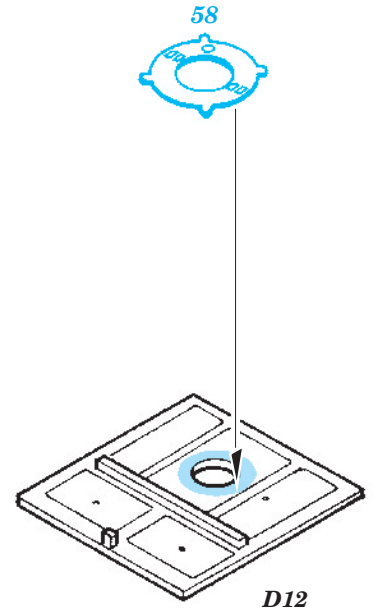
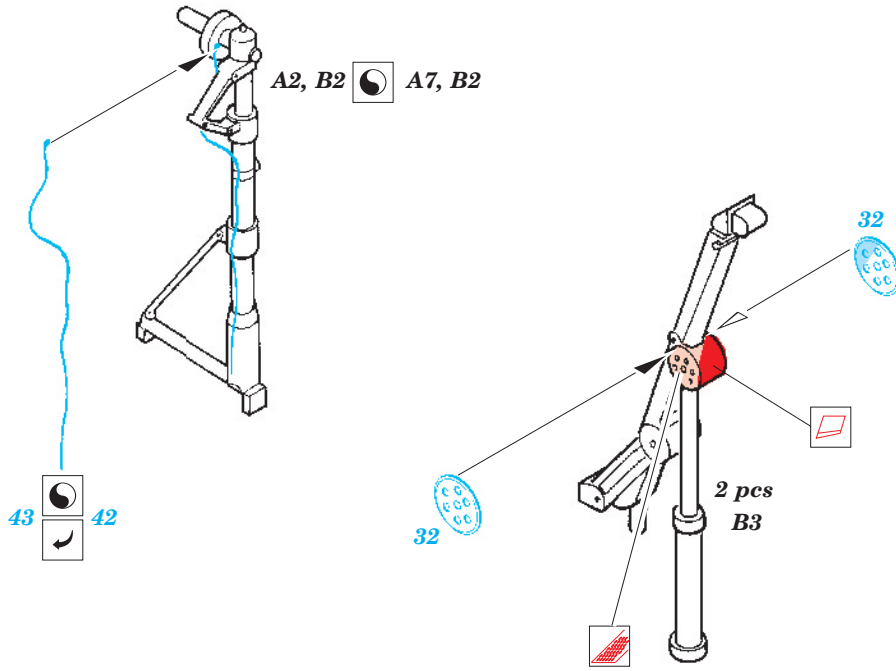




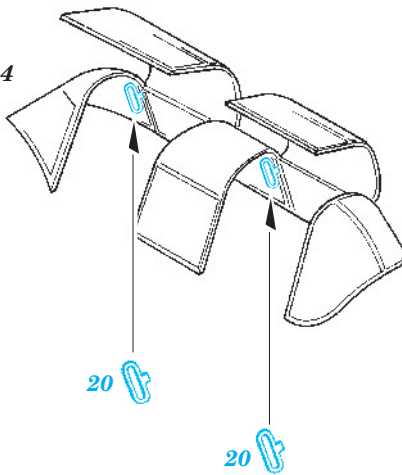


Part 67 - Left wheel well from top view

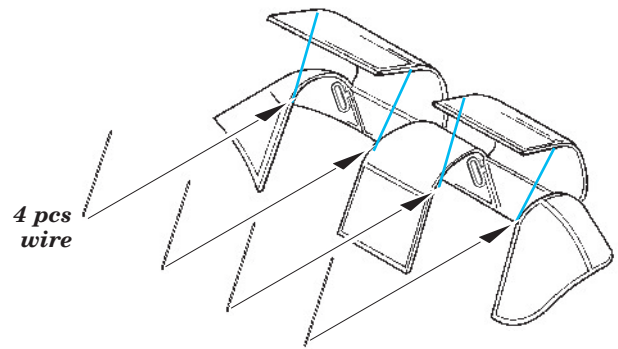




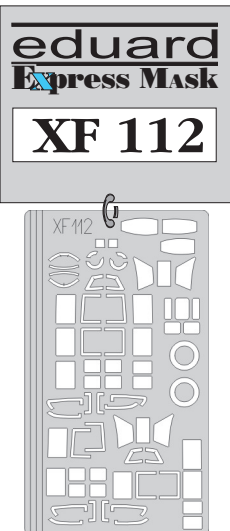
D2, D13, D14



D2, D13, D14



References -Modelers eye series No.1 - Nakajima Night Fighter Gekko type11
 -Smithsonian Institution Press : Moonlight Interceptor
 -Replic No.40/december 1994
 -Bunrindo Co.-Famous airplanes of the world No.57 : Navy night fighter „Gekko”



**Look for Express Mask XF 112 for 1/48 J1N Gekko
 (not included in this set)**

