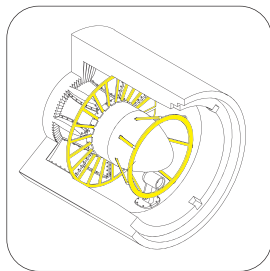
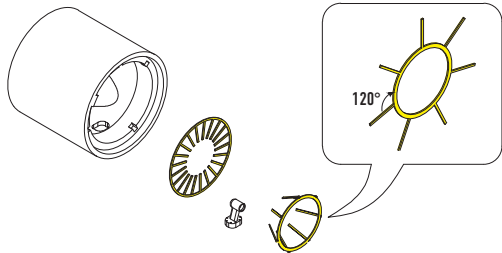




RESIN PARTS  
FOR SCALE PLASTIC KITS

# IAI KFIR C2/C7 EXHAUST NOZZLES FO AMK KIT

INSTRUCTION **RSU48-0090**



general Issues: [info@reskit.com.ua](mailto:info@reskit.com.ua) / claim resolution: [claims@reskit.com.ua](mailto:claims@reskit.com.ua)

**WWW.RESKIT.COM.UA**

 [www.fb.com/reskit.official](https://www.facebook.com/reskit.official)

 [www.instagram.com/reskit\\_official](https://www.instagram.com/reskit_official)

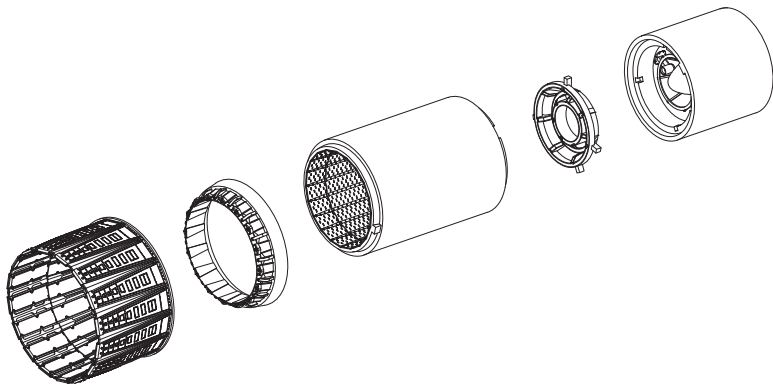
 [www.pinterest.com/reskit\\_official](https://www.pinterest.com/reskit_official)



RESIN PARTS  
FOR SCALE PLASTIC KITS

# IAI KFIR C2/C7 EXHAUST NOZZLES FO AMK KIT

INSTRUCTION **RSU48-0090**



general Issues: [info@reskit.com.ua](mailto:info@reskit.com.ua) / claim resolution: [claims@reskit.com.ua](mailto:claims@reskit.com.ua)

**WWW.RESKIT.COM.UA**

 [www.fb.com/reskit.official](https://www.facebook.com/reskit.official)

 [www.instagram.com/reskit\\_official](https://www.instagram.com/reskit_official)

 [www.pinterest.com/reskit\\_official](https://www.pinterest.com/reskit_official)