



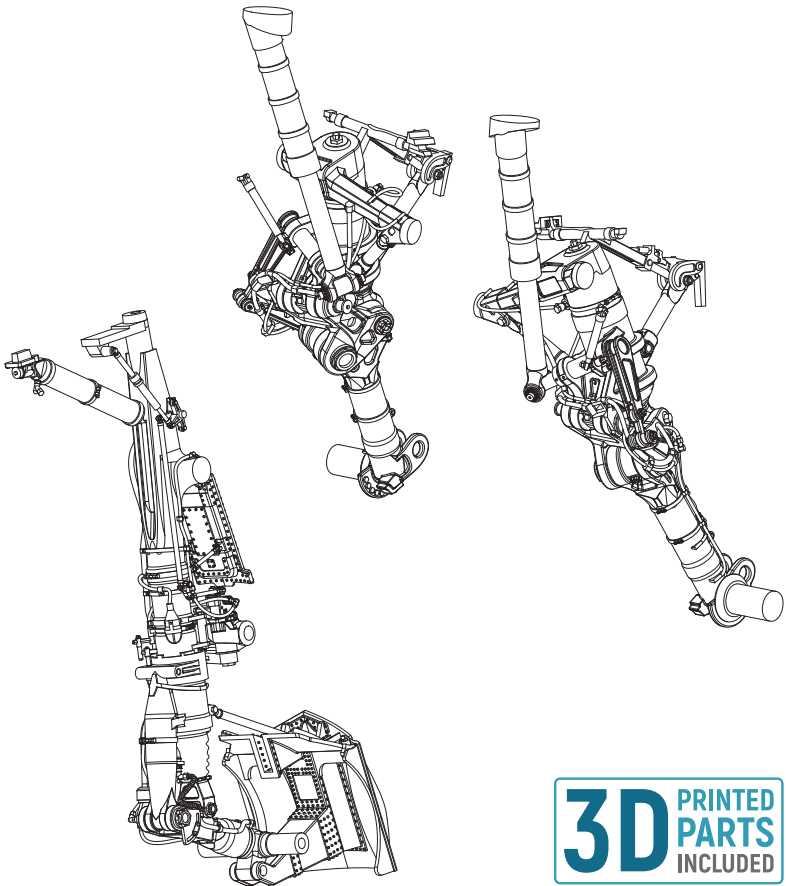
RESIN PARTS
FOR SCALE PLASTIC KITS

INSTRUCTION **RSU48-0092**

YOU CAN FIND INSTRUCTIONS
IN PDF FORMAT ON THE WEBSITE

MIG-25 LANDING GEAR

FOR ICM KIT

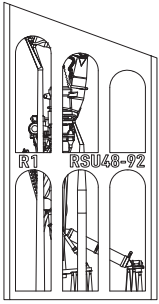


3D PRINTED
PARTS
INCLUDED

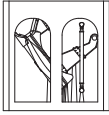
CUT



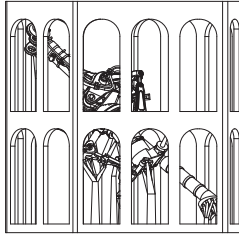
USE A SAW TO REMOVE SUPPORTS FROM 3D PRINTED PARTS



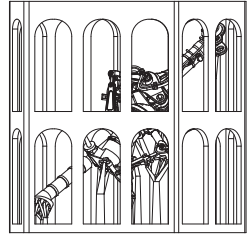
R1



R2 R3

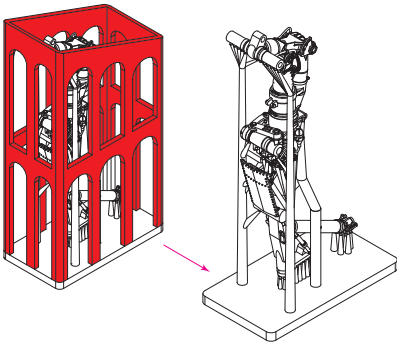


R4

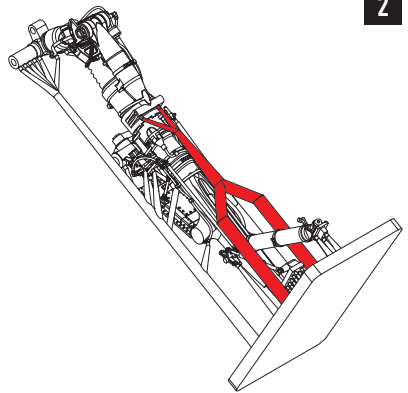


R5

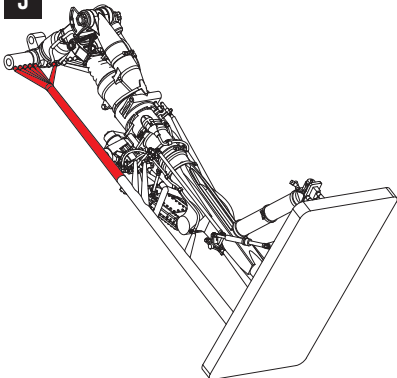
1 REMOVE PROTECTIVE COVER (R1 PART)



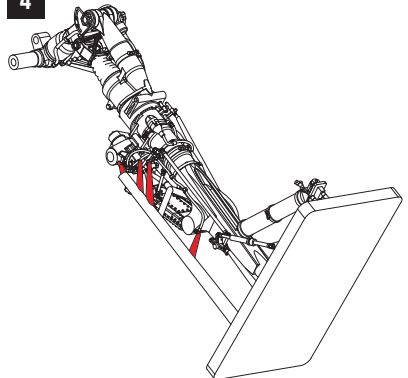
2



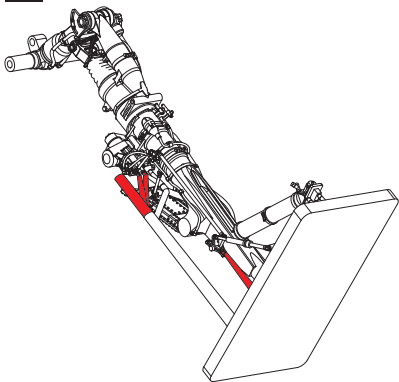
3



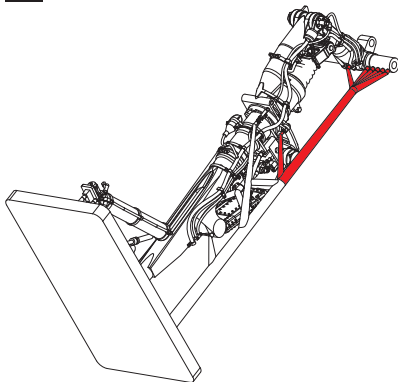
4



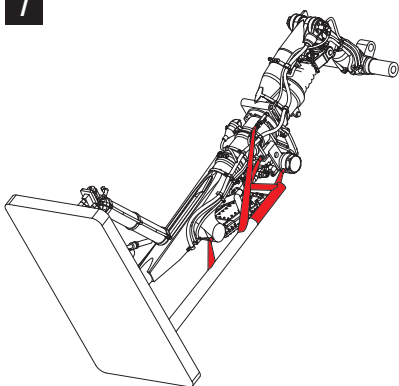
5



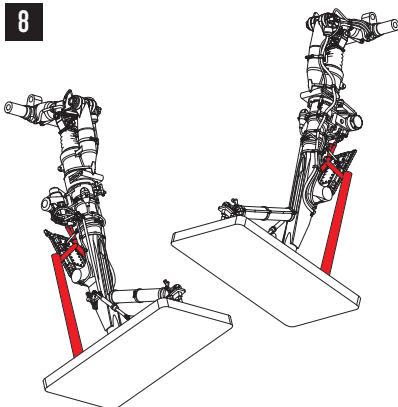
6



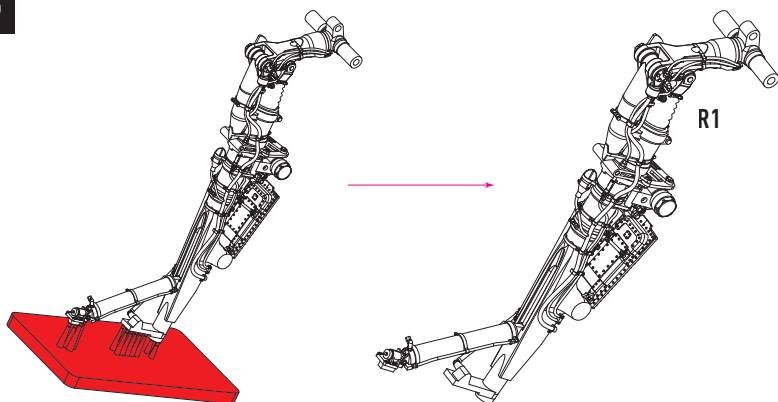
7



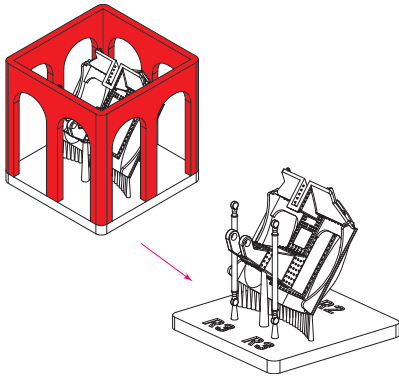
8



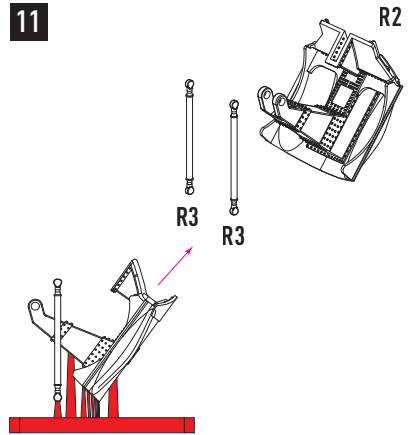
9



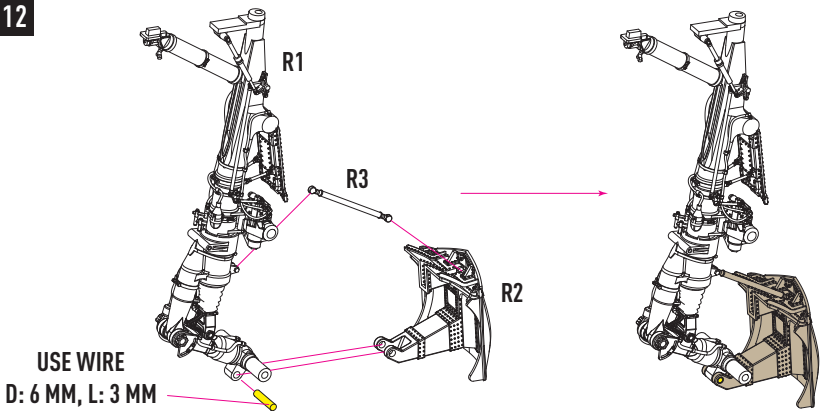
10 REMOVE PROTECTIVE COVER (R2, R3)



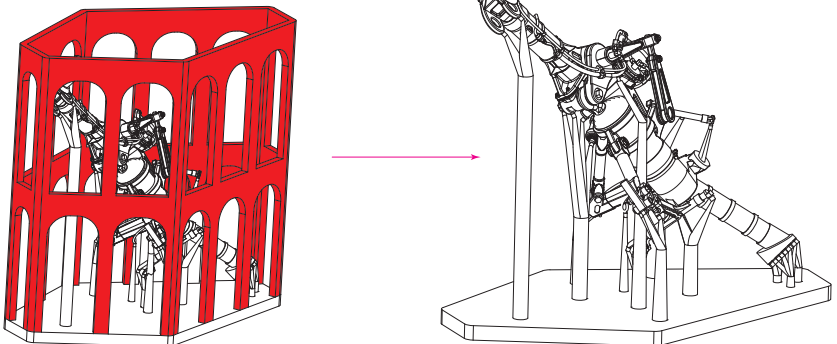
11



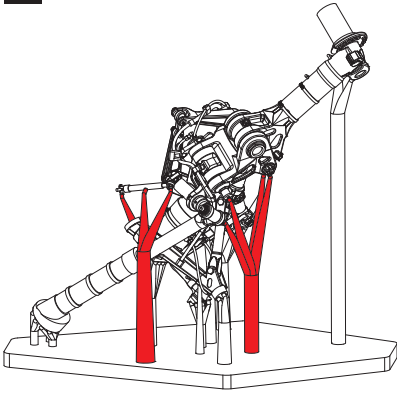
12



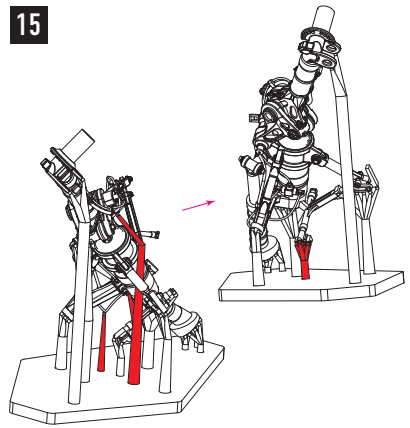
13 REMOVE PROTECTIVE COVER (R4 PART)



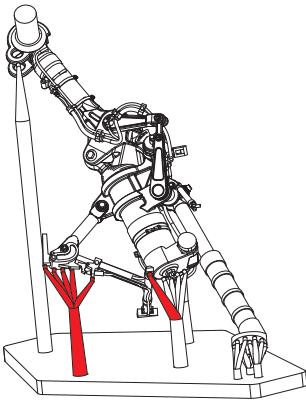
14



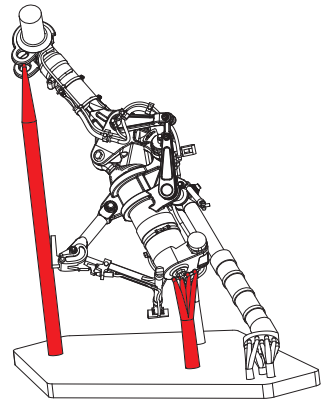
15



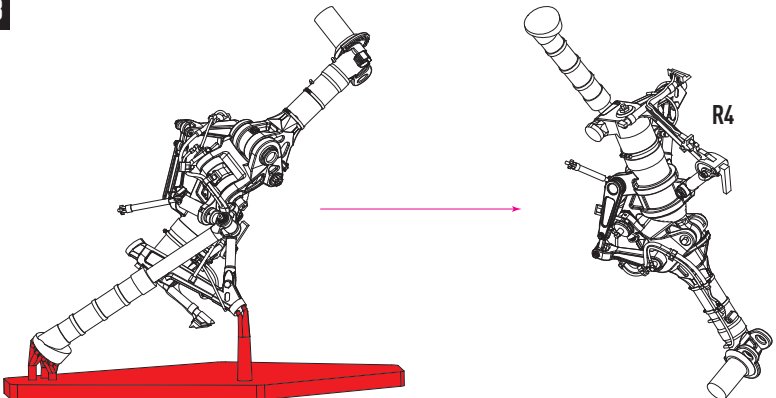
16



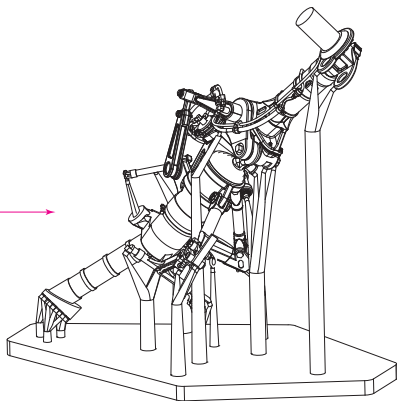
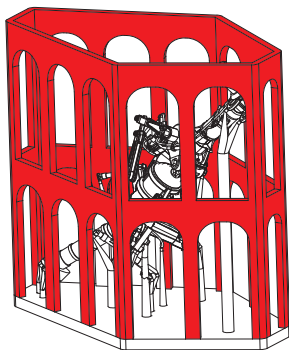
17



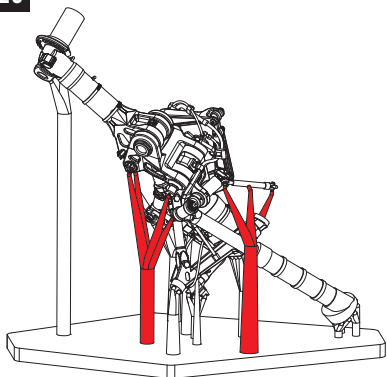
18



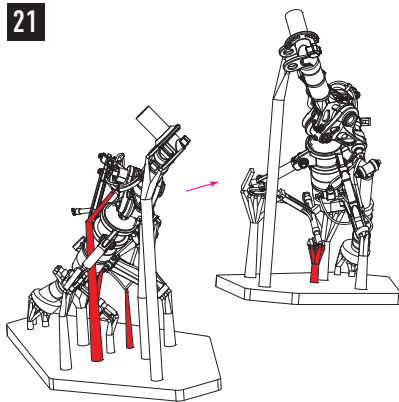
19 REMOVE PROTECTIVE COVER (R5 PART)



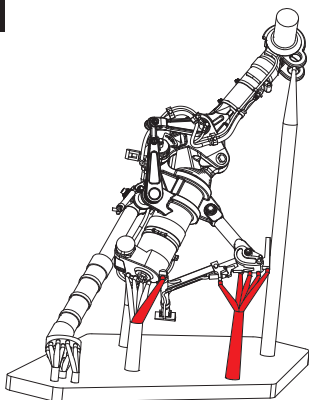
20



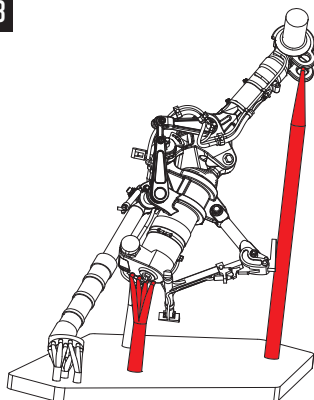
21



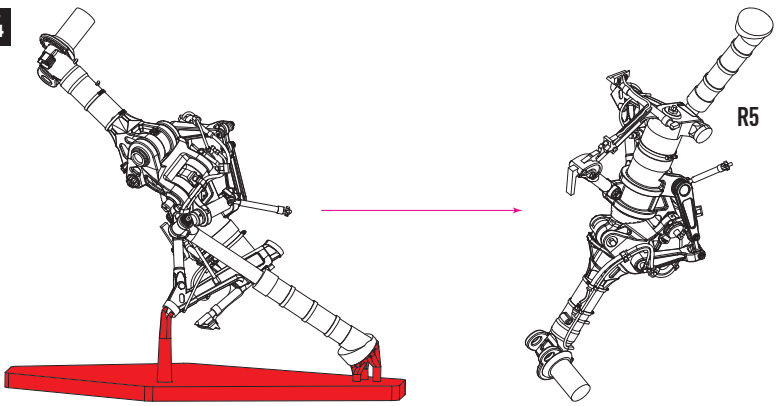
22



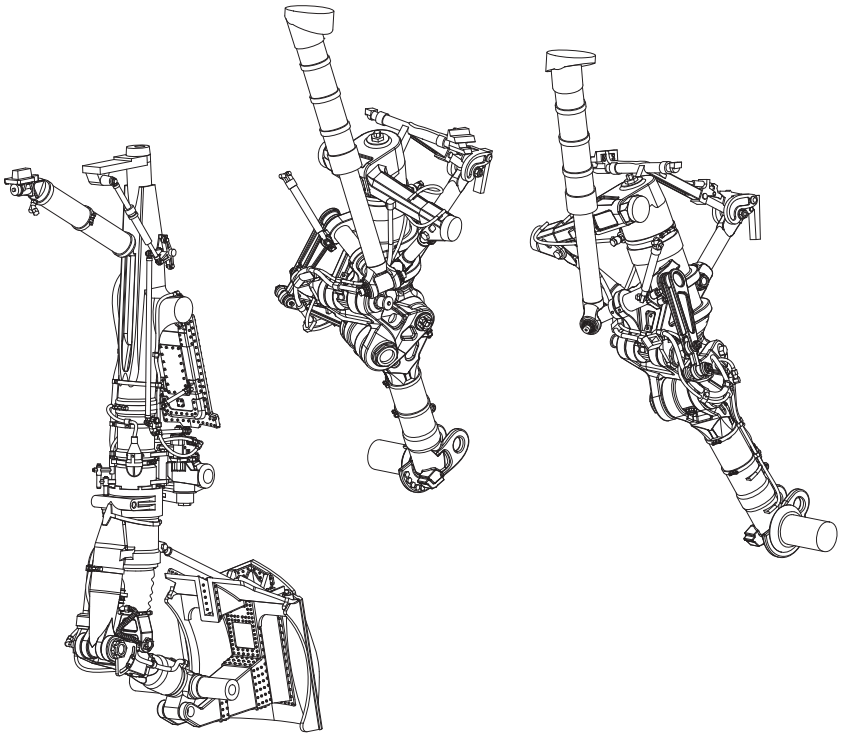
23



24



25 INSTALL RACKS IN CHASSIS NICHES
ACCORDING TO ICM INSTRUCTIONS



LIST OF RESKIT PRODUCTS FOR ICM MIG-25 KIT IN 1/48 SCALE

RSU48-0016	MIG-25 (RB) PRE-CUT PAINTING MASKS
RSU48-0018	MIG-25 (BM) PRE-CUT PAINTING MASKS
RSU48-0021	MIG-25 (P, PD) PRE-CUT PAINTING MASKS
RSU48-0042	MIG-25 (RB, RBT, BM, RBK, RBF, RBSH) EXHAUST NOZZLES
RSU48-0043	MIG-25 (P, PD, PDS) EXHAUST NOZZLES
RSU48-0091	MIG-25 WHEELS BAY
RSU48-0121	MIG-25 (RB, RBT) COCKPIT
RSU48-0122	MIG-25 (PD, PDS) COCKPIT
RSU48-0152	MIG-25 (BM) COCKPIT

YOU CAN FIND INSTRUCTIONS
IN PDF FORMAT ON THE WEBSITE

RESKIT-MODELS.COM

General Issues: info@reskit.com.ua

Wholesales: sales@reskit.com.ua

Claim Resolution: claims@reskit.com.ua