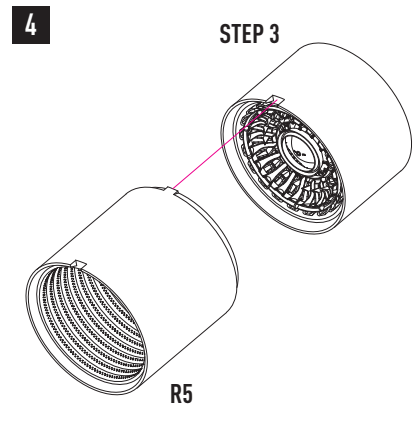
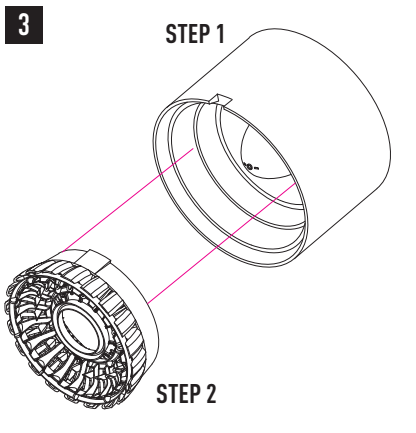
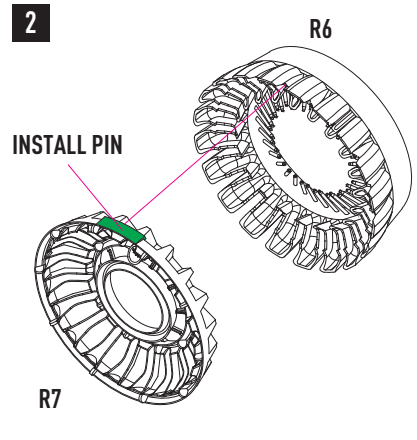
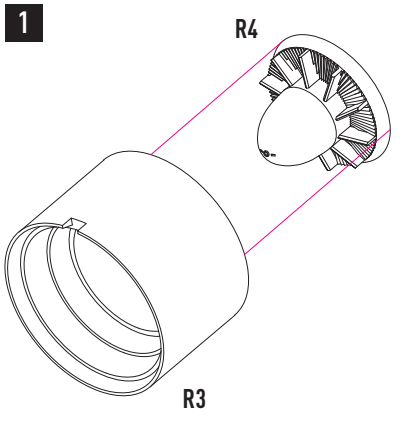
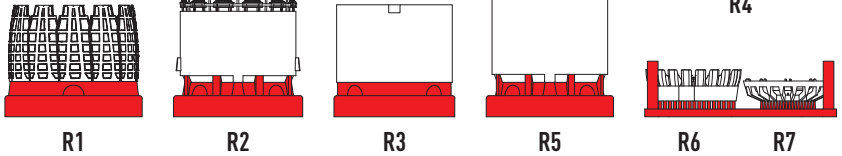
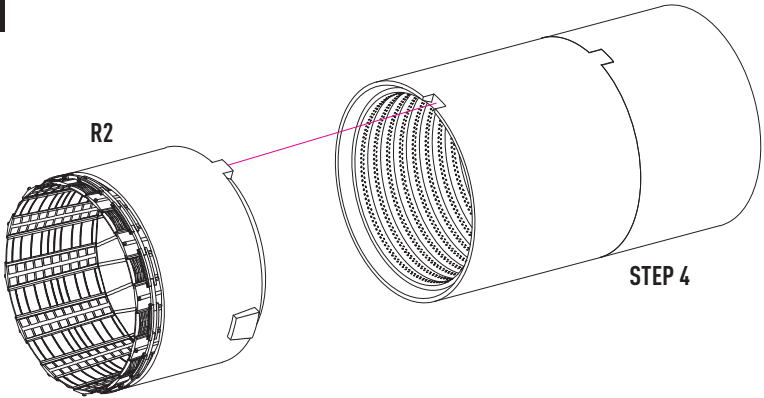


CUT

USE A SAW TO REMOVE SUPPORTS FROM 3D PRINTED PARTS



5



6

