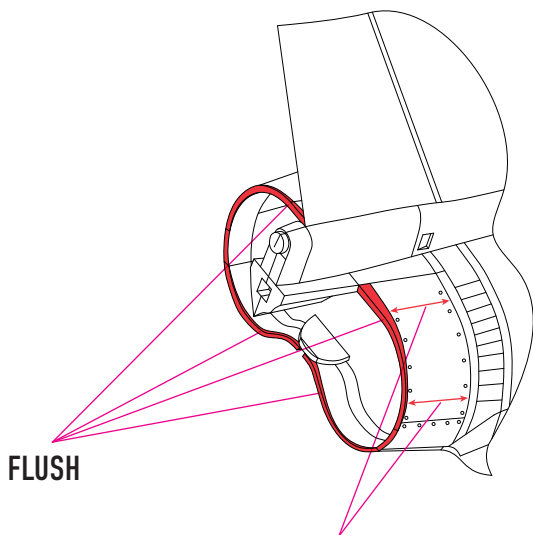




RESIN PARTS

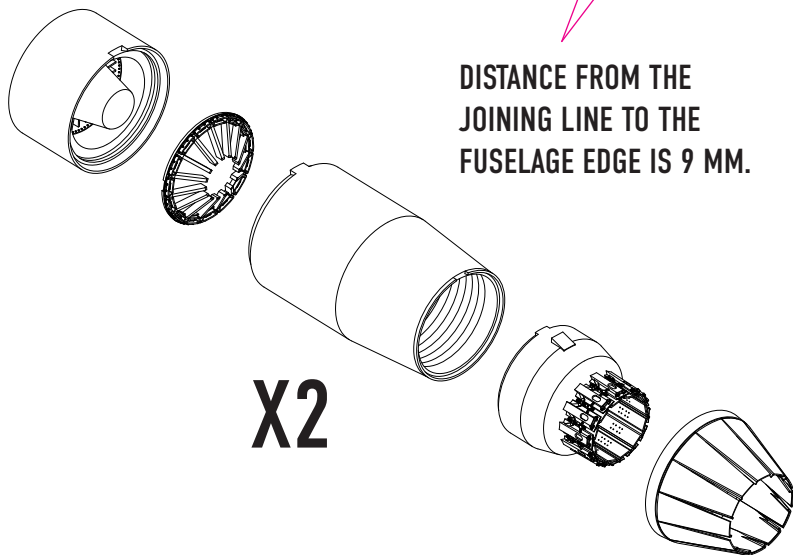


PHOTO ETCHED PARTS



FLUSH

**DISTANCE FROM THE
JOINING LINE TO THE
FUSELAGE EDGE IS 9 MM.**



X2