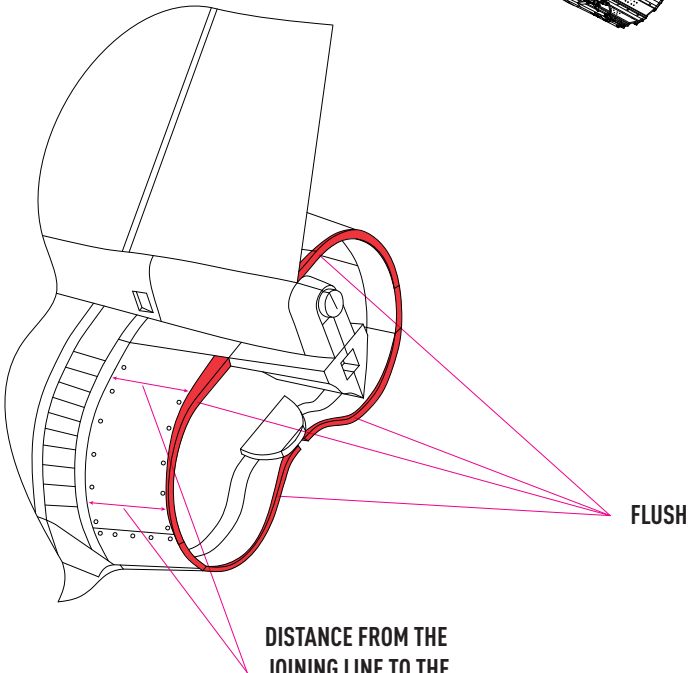
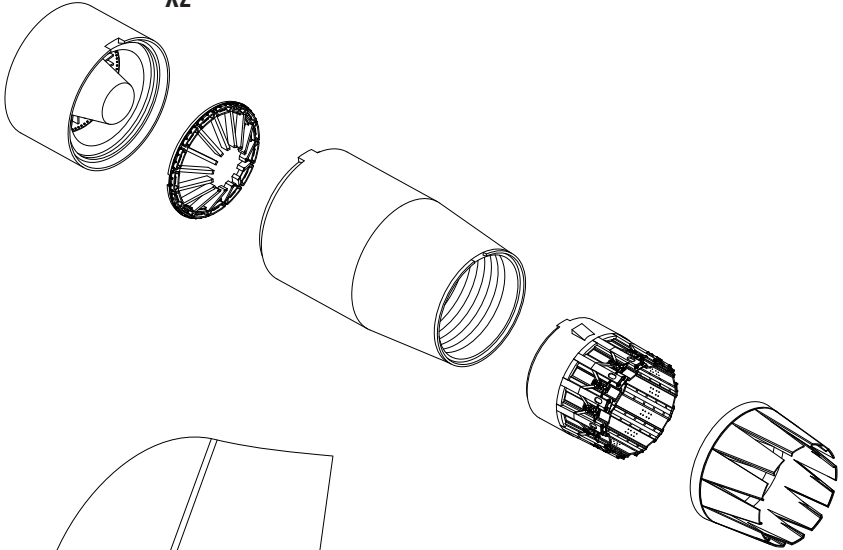


X2



DISTANCE FROM THE  
JOINING LINE TO THE  
FUSELAGE EDGE IS 9 MM