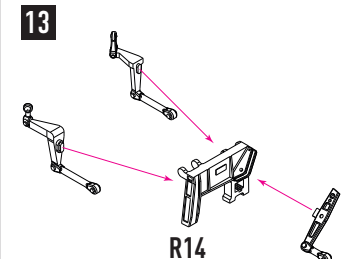
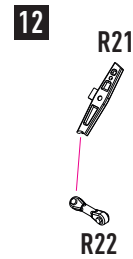
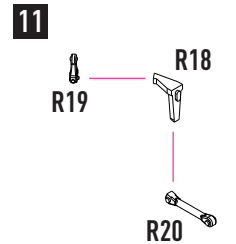
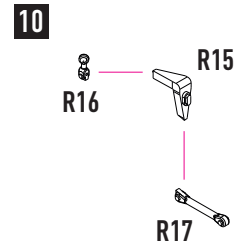
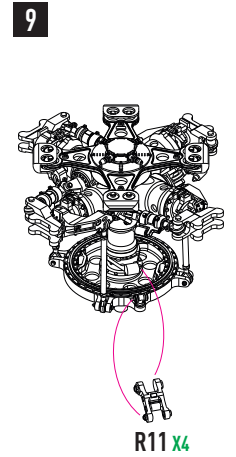
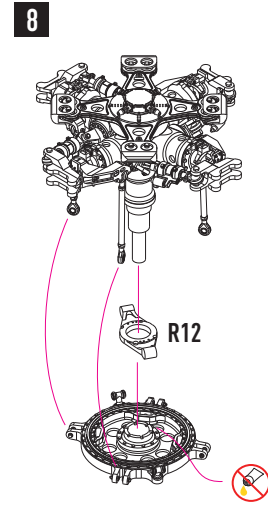
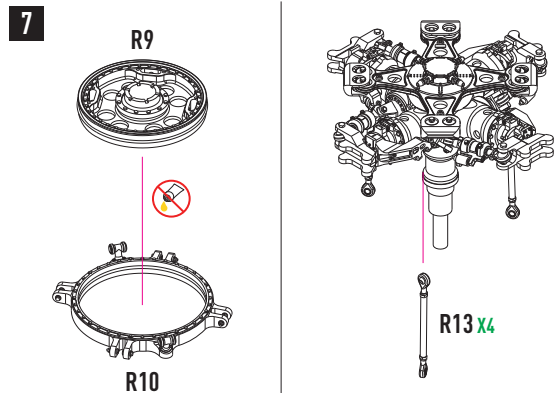
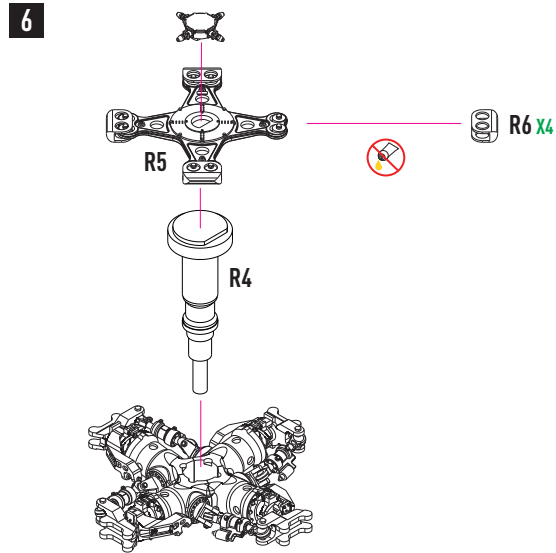
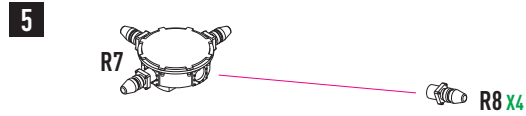
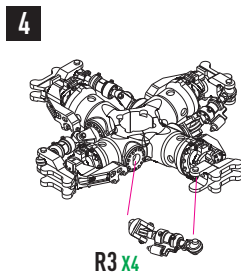
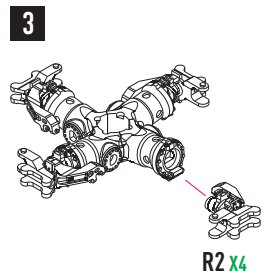
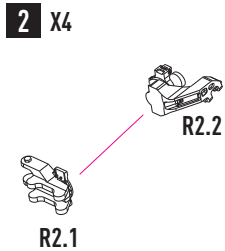
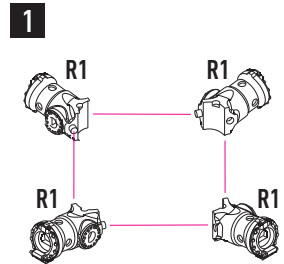
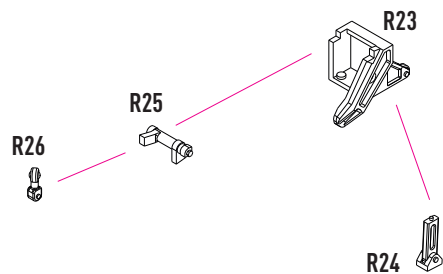


## MAIN ROTOR MH-60, UH-60, HH-60

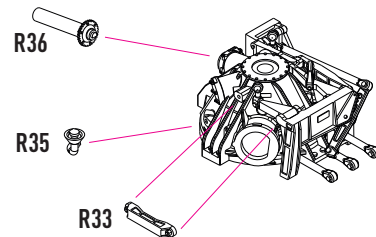
INSTRUCTION **RSU48-0114**



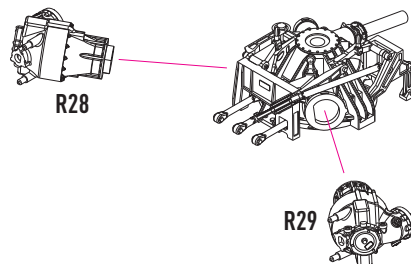
14



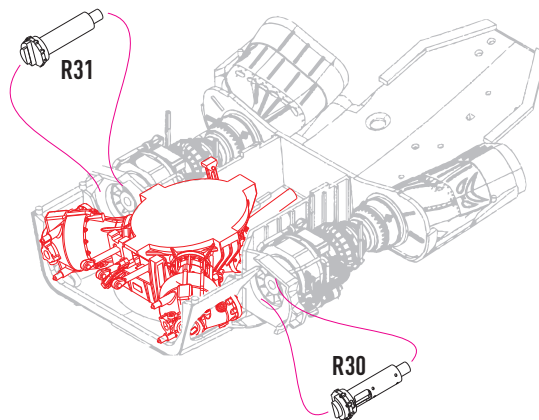
18



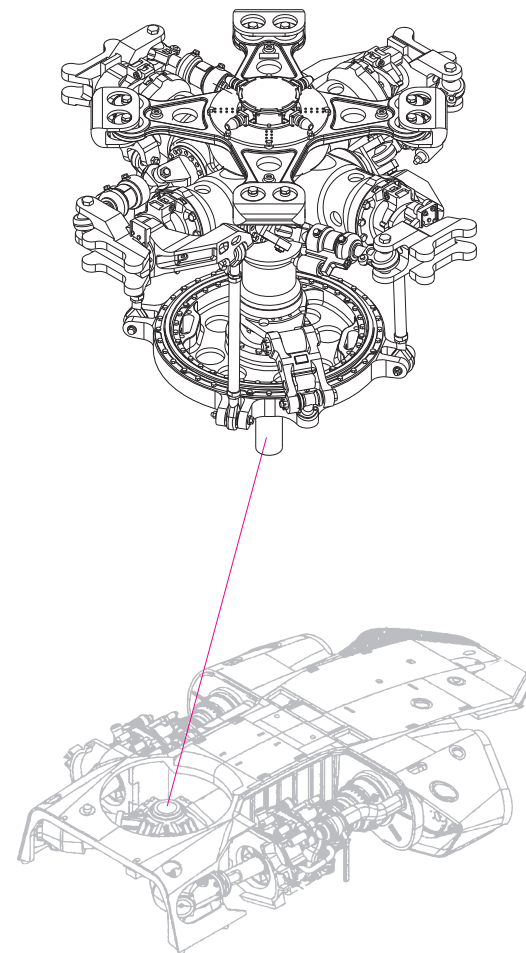
19



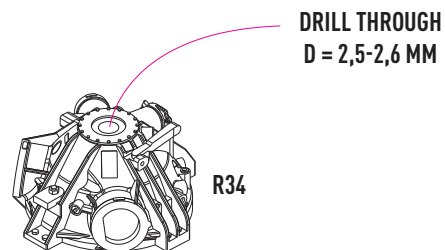
20



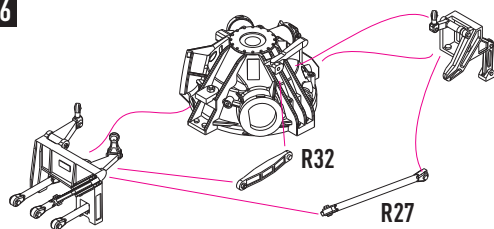
21



15



16



17

