

INSTRUCTION **RSU48-0116**

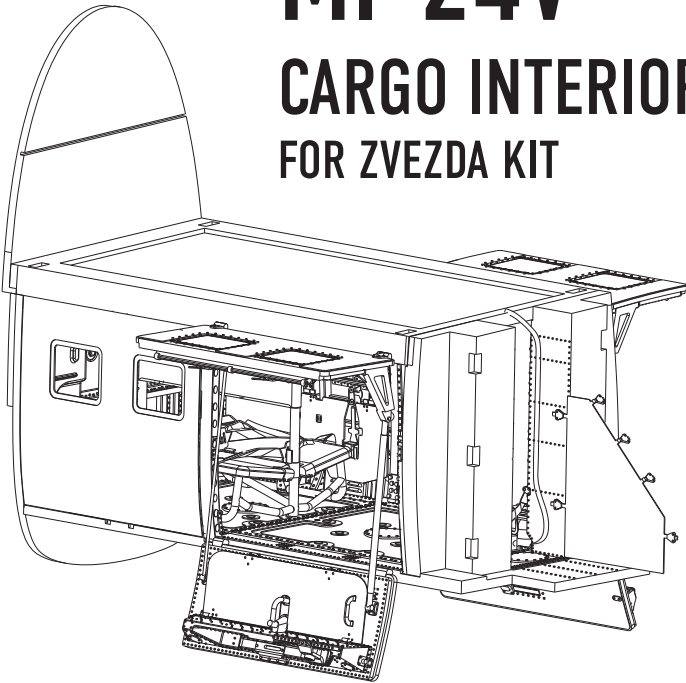


RESIN PARTS  
FOR SCALE PLASTIC KITS

# MI-24V

## CARGO INTERIOR SET

### FOR ZVEZDA KIT



general issues: [info@reskit.com.ua](mailto:info@reskit.com.ua) / claim resolution: [claims@reskit.com.ua](mailto:claims@reskit.com.ua)

**RESKIT-MODELS.COM**

 [fb.com/reskit.official](https://fb.com/reskit.official)

 [instagram.com/reskit\\_official](https://instagram.com/reskit_official)

 [pinterest.com/reskit\\_official](https://pinterest.com/reskit_official)

○ - RESIN PARTS

● - PHOTO ETCHED PARTS

● - TRANSPARENT

↻ - BEND

A2 ZVEZDA KIT PART

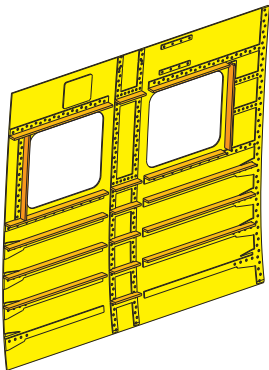
C9 ZVEZDA KIT PART

CUT

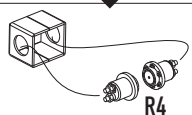
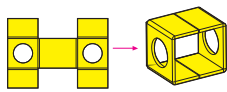
1 ! SEE THE LAST PAGE

1

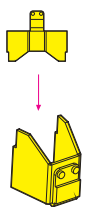
## RIGHT SIDE



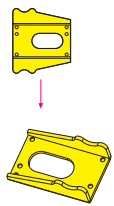
2



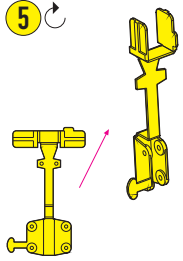
3



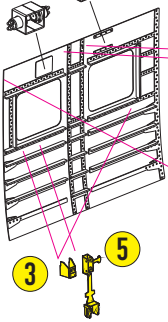
4



5



2 R4.1



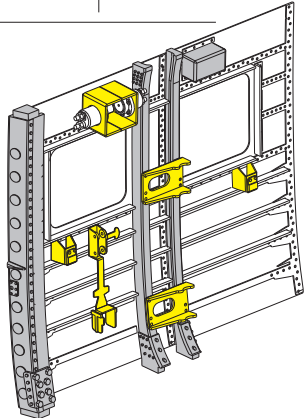
R1

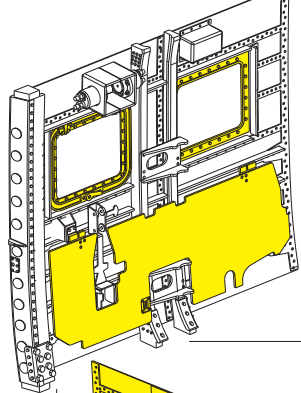
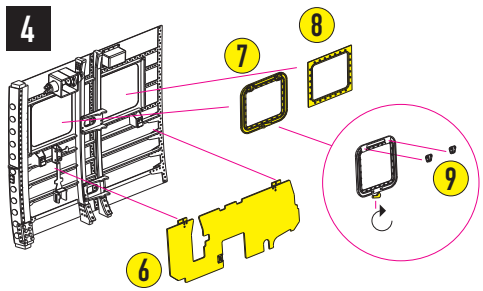
R2

R3

4

3

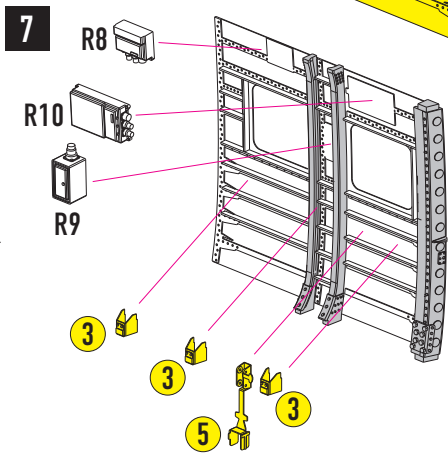
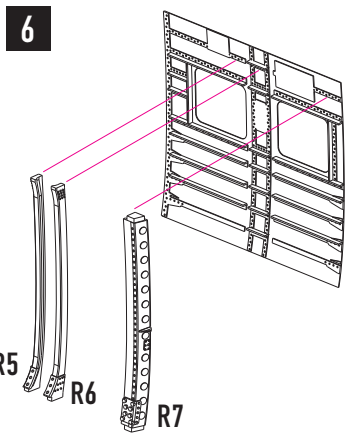
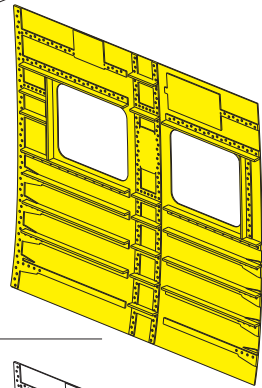
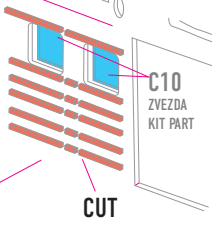
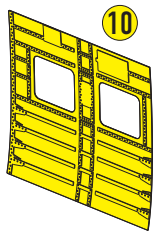




**5 LEFT SIDE**

A1  
ZVEZDA KIT PART

! SEE THE  
LAST PAGE

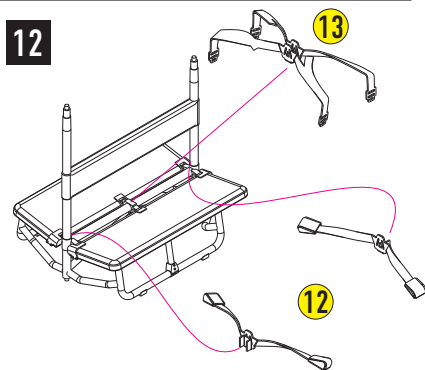
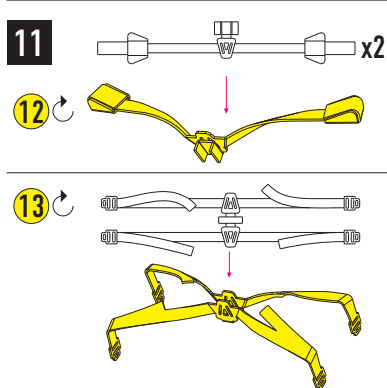
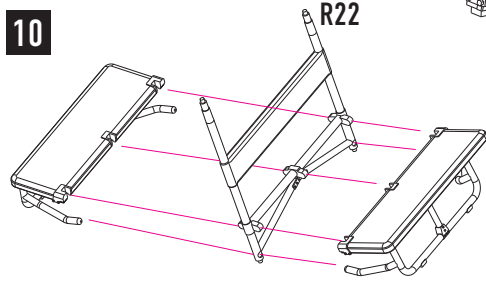
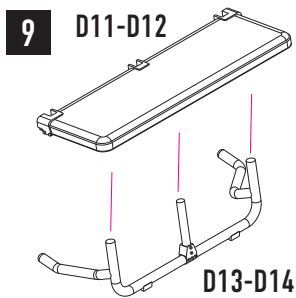
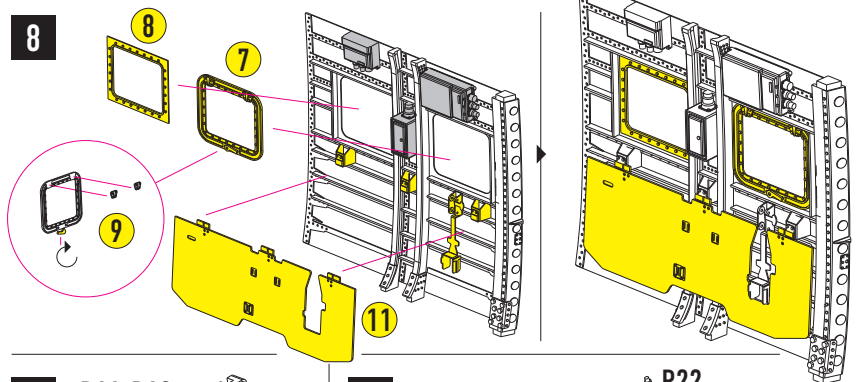


○ - RESIN PARTS

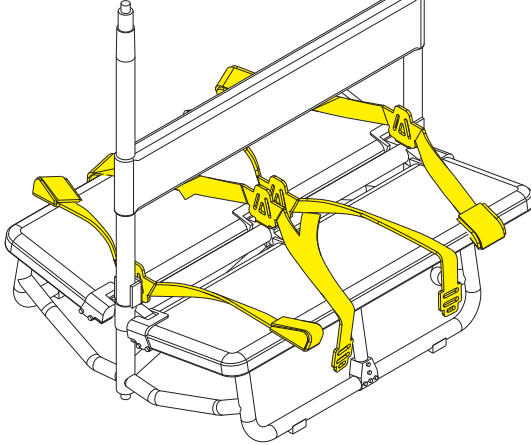
● - PHOTO ETCHED PARTS

● - TRANSPARENT

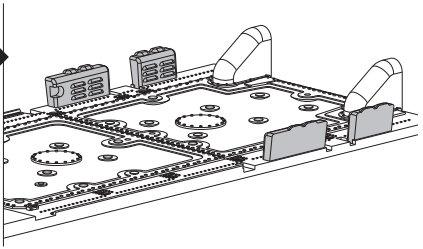
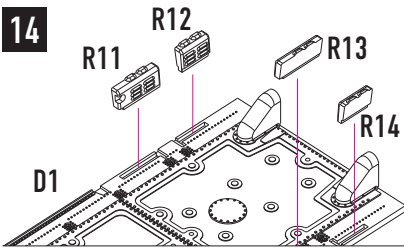
↻ - BEND



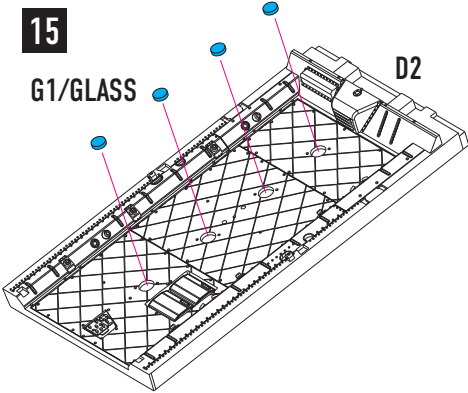
13



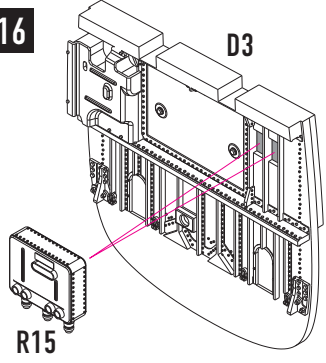
14



15



16



○ - RESIN PARTS

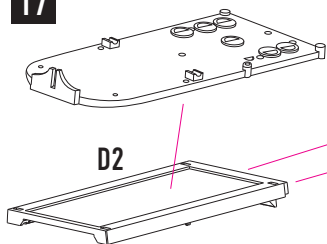
● - PHOTO ETCHED PARTS

● - TRANSPARENT

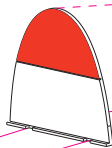
↻ - BEND

17

USE ZVEZDA KIT PART B74

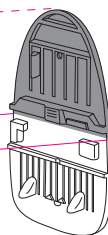


D4



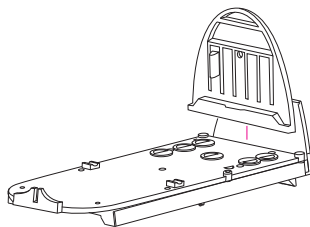
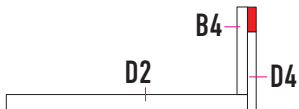
CUT OFF  
AFTER  
FITTING B4

CUT ZVEZDA  
PART B4  
TO SIZE D4

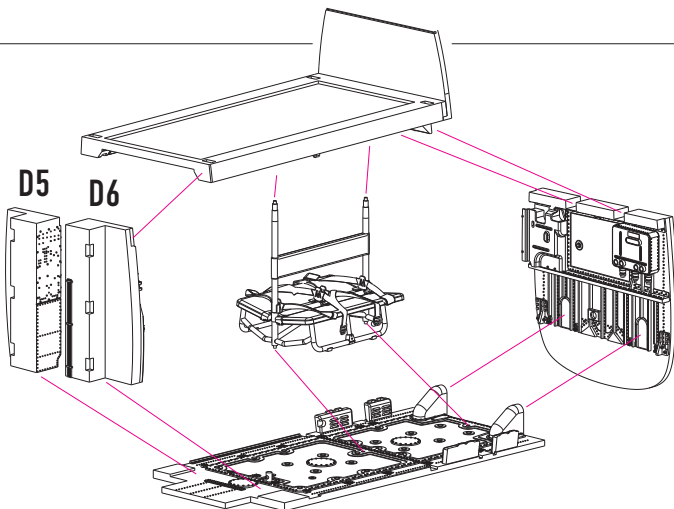


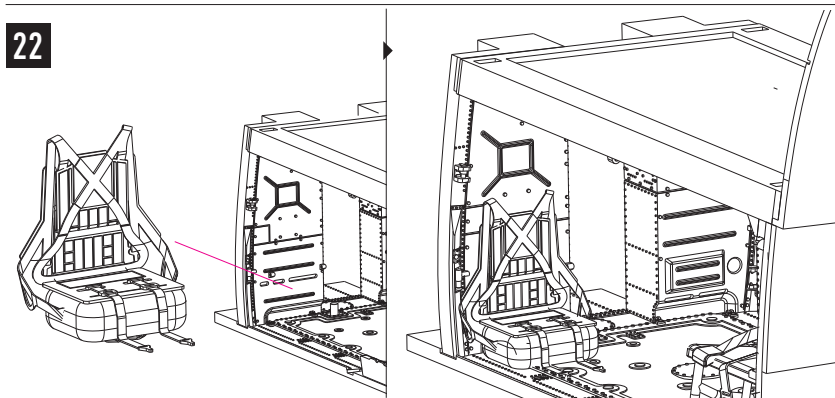
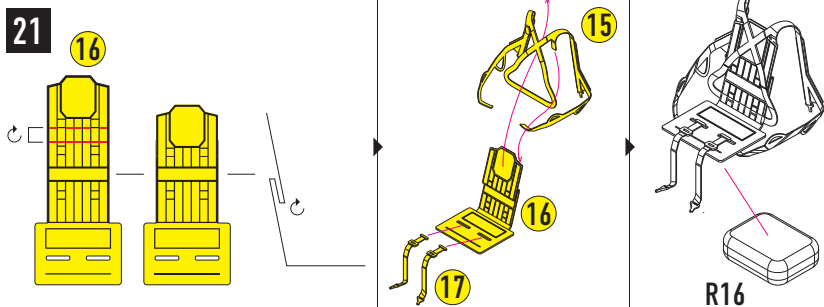
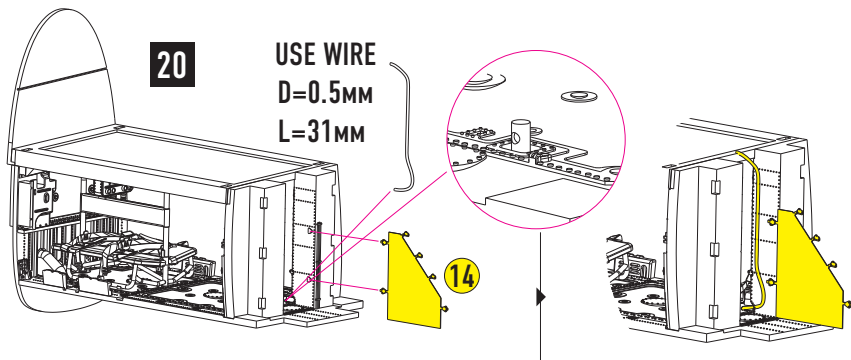
B4

18



19





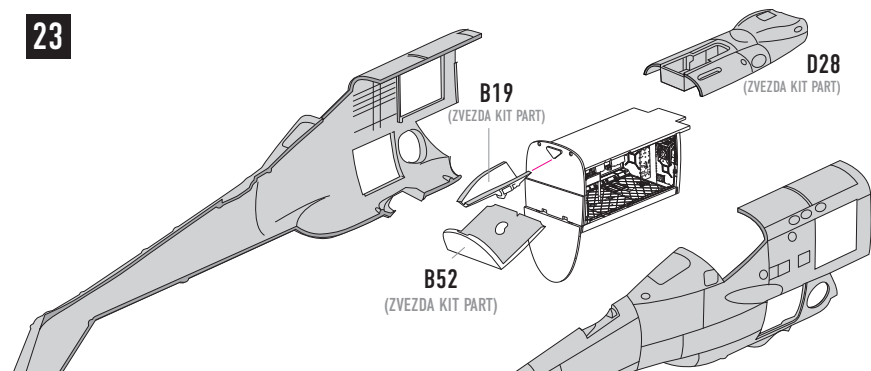
○ - RESIN PARTS

● - PHOTO ETCHED PARTS

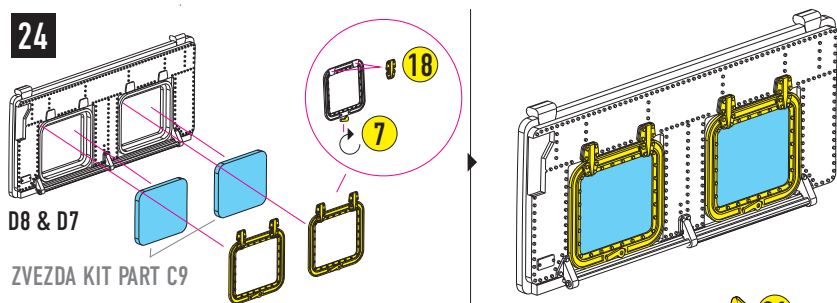
● - TRANSPARENT

↻ - BEND

23

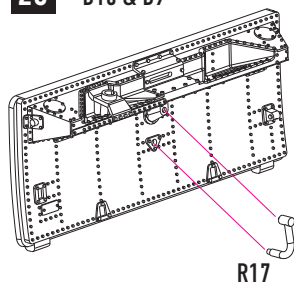


24

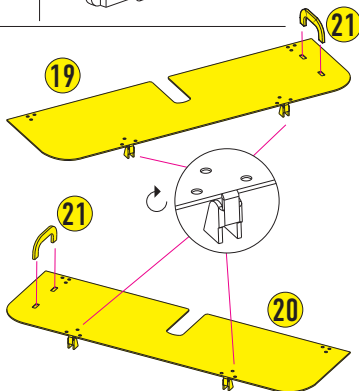


25

D10 & D9

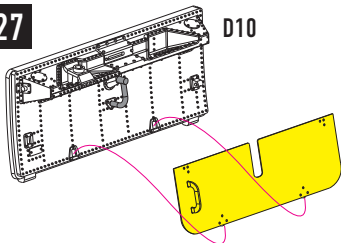


26



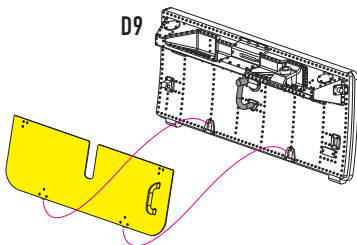


27



D10

D9

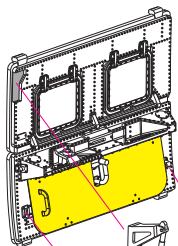


28

## V1. CLOSED RIGHT DOOR

D8

D10



INSTALL  
TO CEILING P1

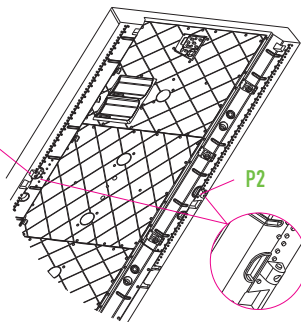
USE WIRE

D=0.3MM  
L=26MM

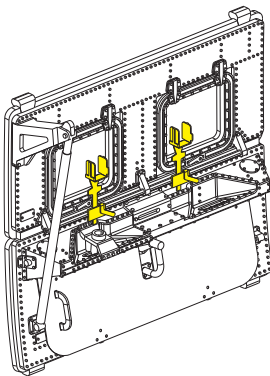
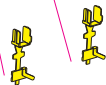
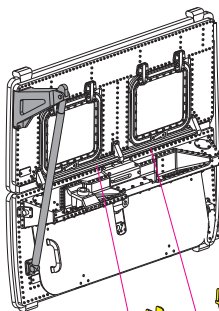
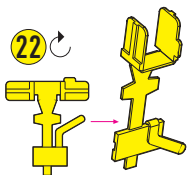
R20

P1

P2



29



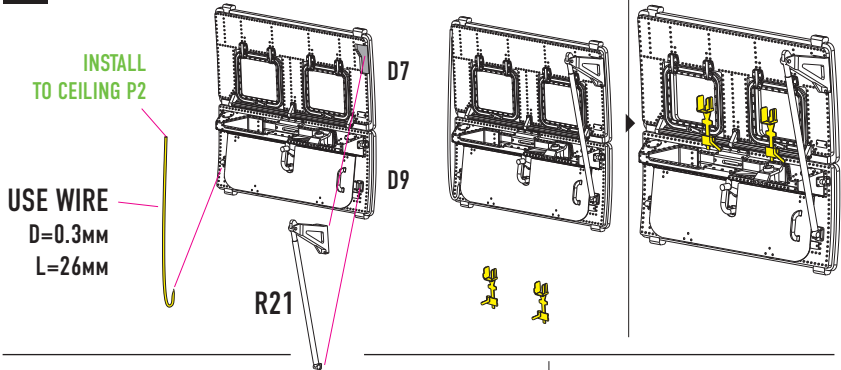
○ - RESIN PARTS

● - PHOTO ETCHED PARTS

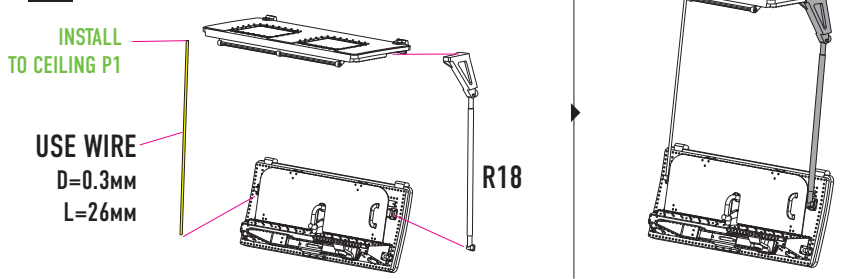
● - TRANSPARENT

↻ - BEND

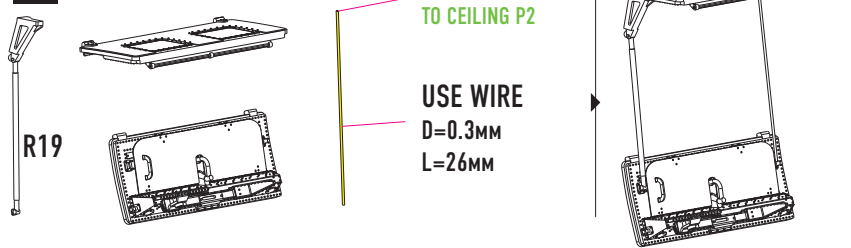
### 30 V1. CLOSED LEFT DOOR

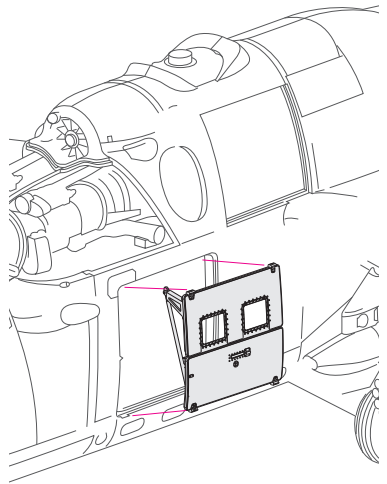
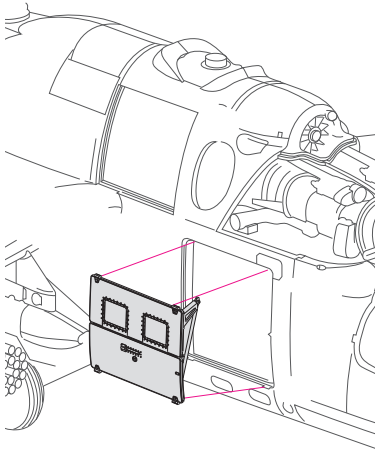
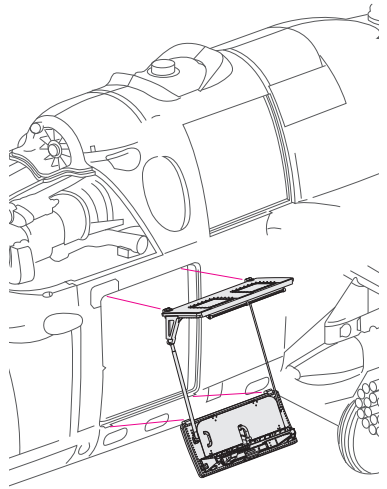
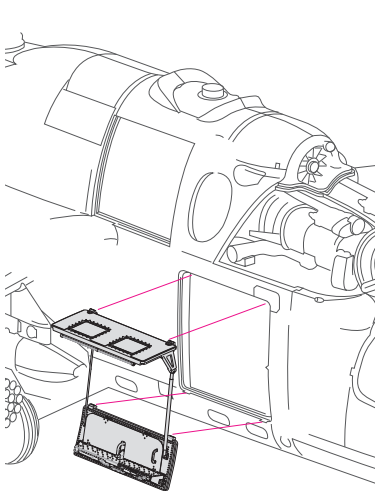


### 31 V2. OPEN RIGHT DOOR

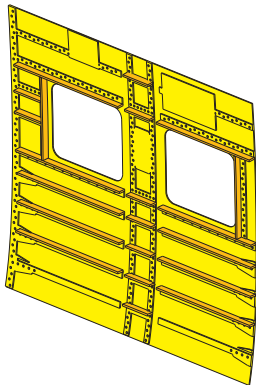
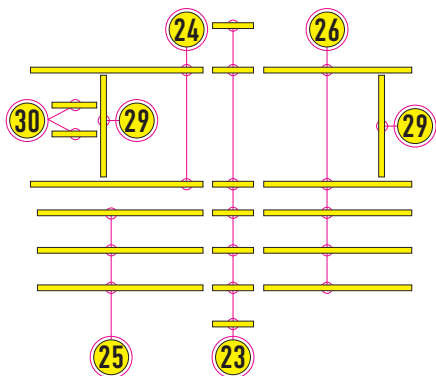
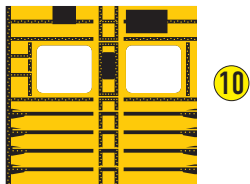


### 32 V2. OPEN LEFT DOOR





## LEFT WALL



## RIGHT WALL

