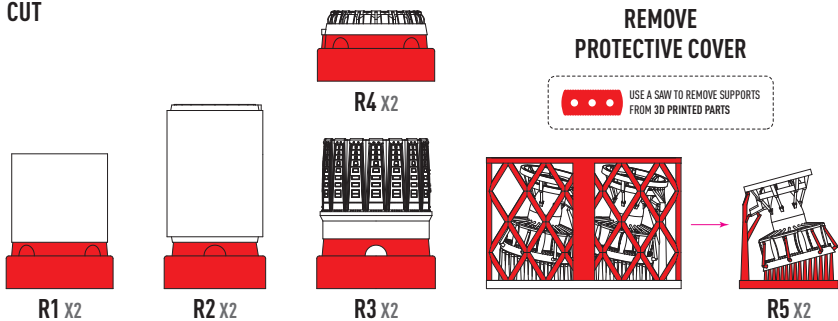
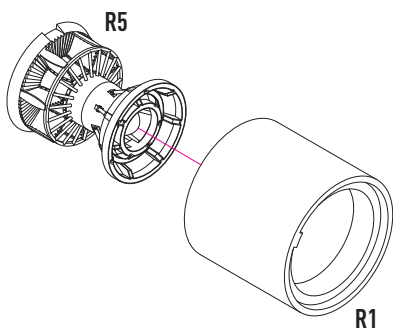


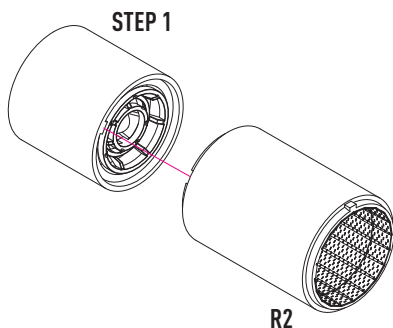
CUT



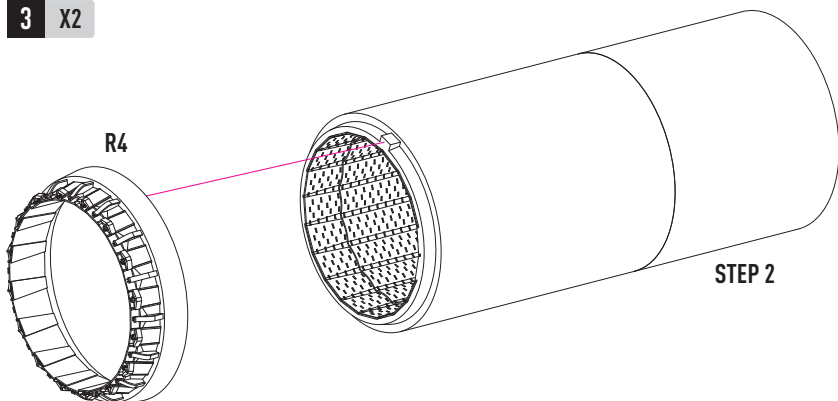
1 X2



2 X2



3 X2



4 X2

STEP 3

R3

