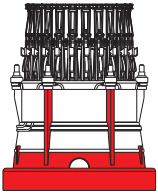


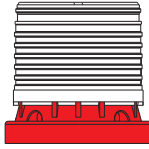
1 CUT



R1



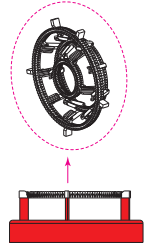
R2



R3

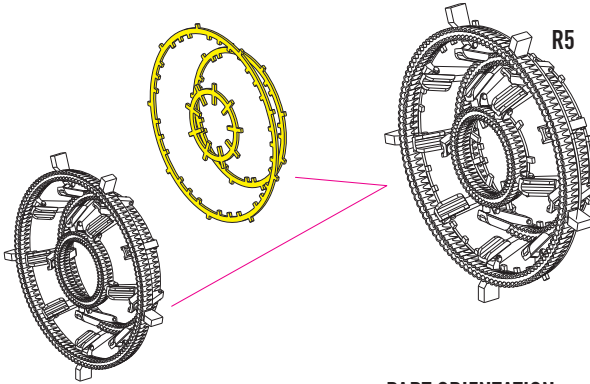


R4

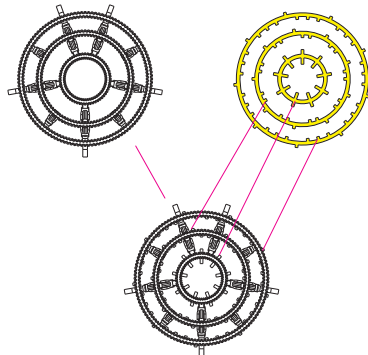
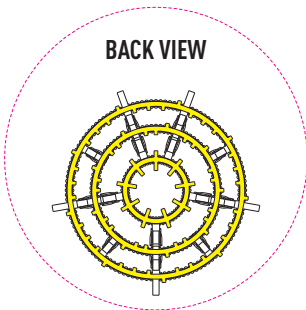


R5

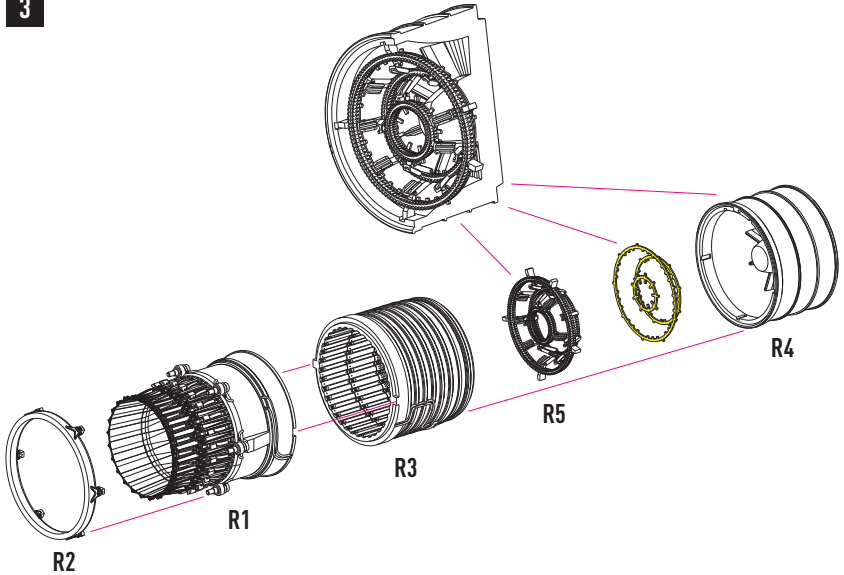
2



PART ORIENTATION



3



4

