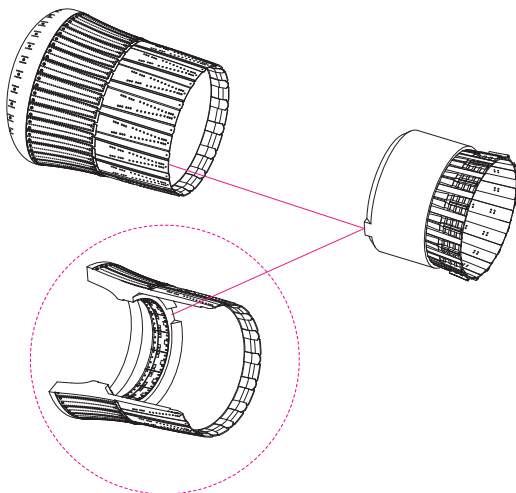
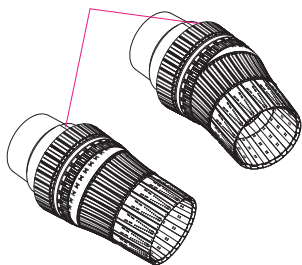


5



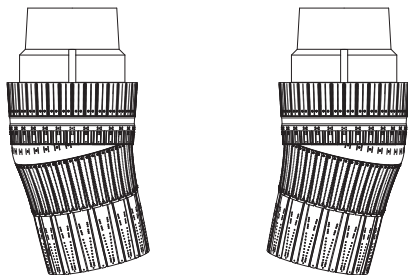
6

WHEN INSTALLING ON A
MODEL, PLACE THE GROOVE
VERTICALLY UP



7

TOP VIEW



FRONT VIEW

