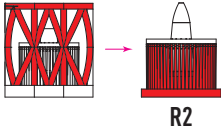


CUT



R2



R1



R3



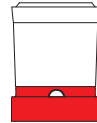
R4

REMOVE
PROTECTIVE COVER

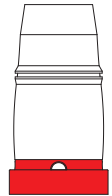
USE A SAW TO REMOVE SUPPORTS
FROM 3D PRINTED PARTS



R7

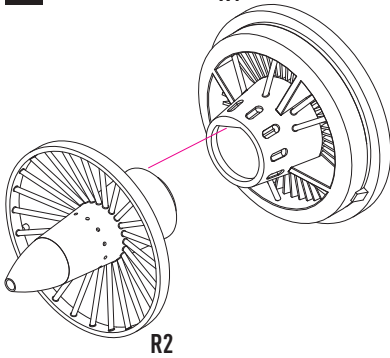


R5



R6

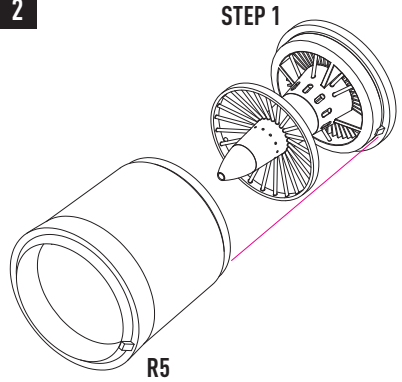
1



R1

R2

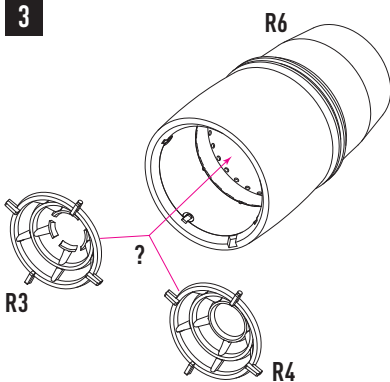
2



STEP 1

R5

3

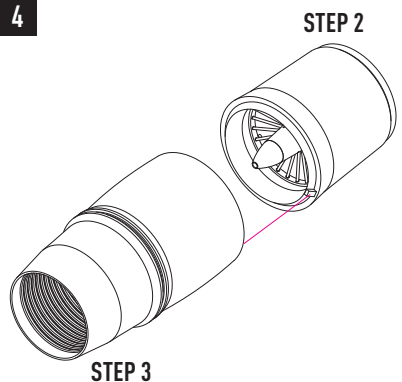


R6

R3

R4

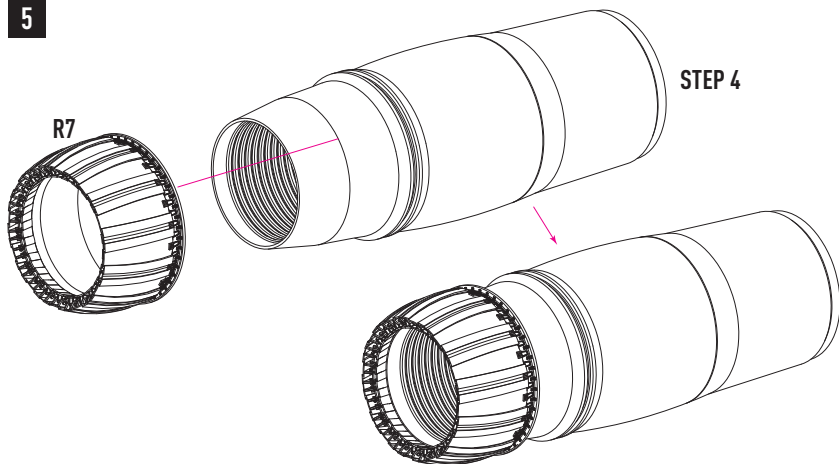
4



STEP 2

STEP 3

5



6

