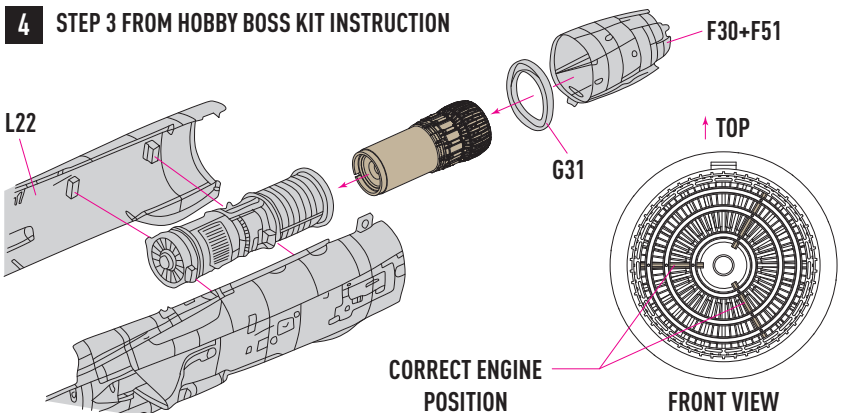
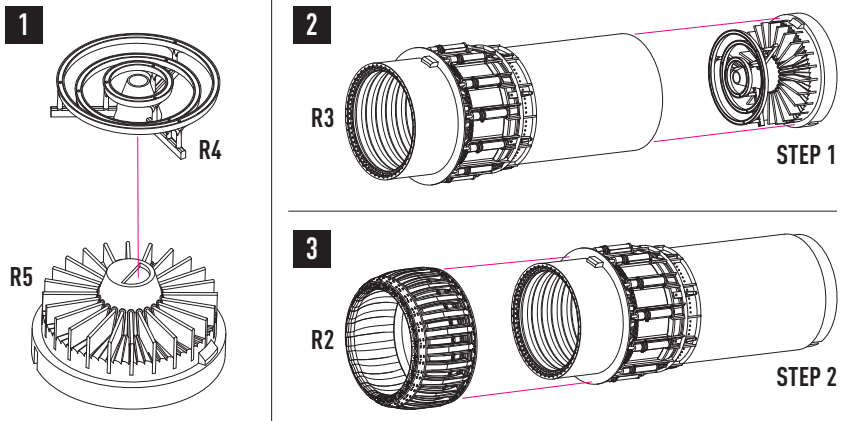
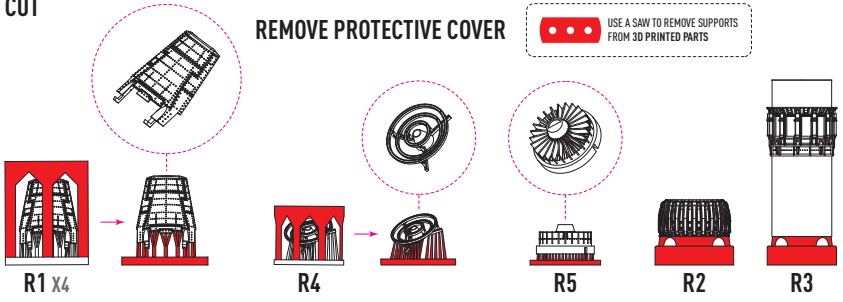


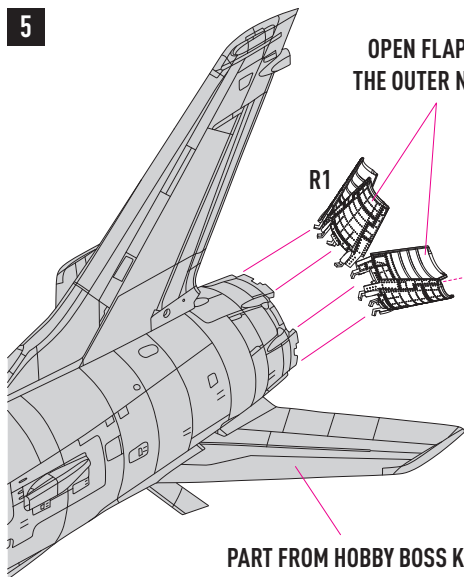
### CUT



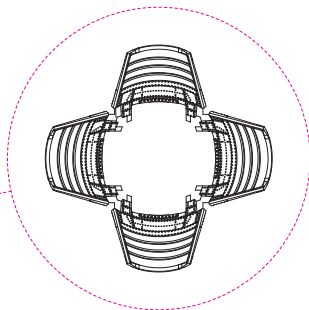
5

OPEN FLAPS OF  
THE OUTER NOZZLE

FRONT VIEW



R1

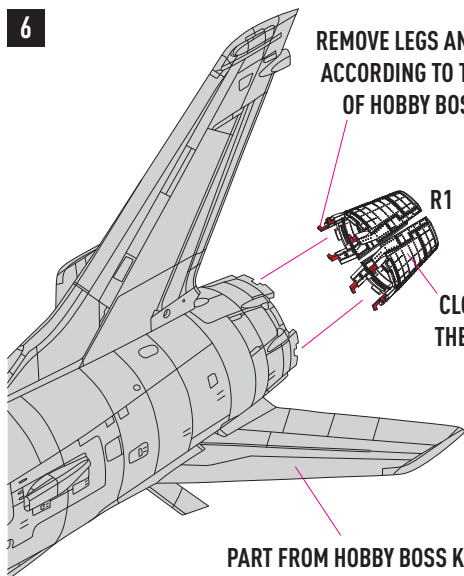


PART FROM HOBBY BOSS KIT

6

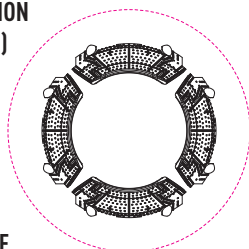
REMOVE LEGS AND INSTALL FLAPS  
ACCORDING TO THE INSTRUCTION  
OF HOBBY BOSS KIT (STEP 5)

FRONT VIEW



R1

CLOSED FLAPS OF  
THE OUTER NOZZLE



PART FROM HOBBY BOSS KIT

