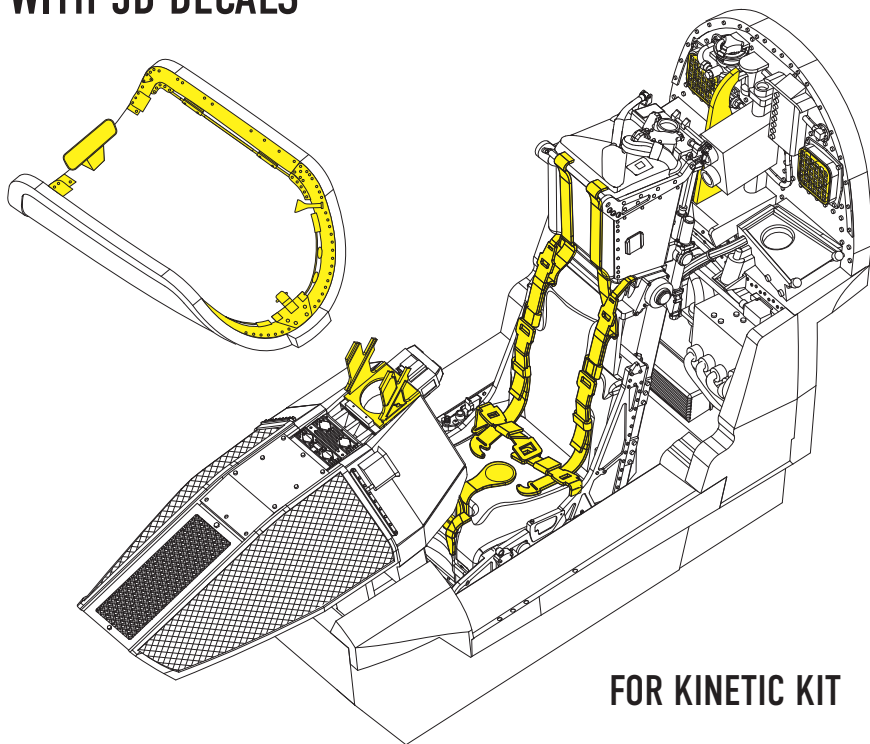




RESIN PARTS
FOR SCALE PLASTIC KITS

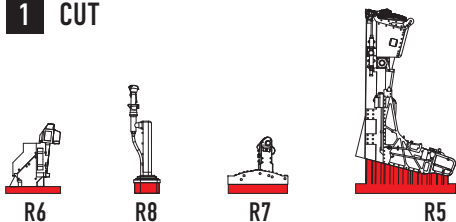
INSTRUCTION **RSU48-0142**

MIRAGE 2000C COCKPIT WITH 3D DECALS

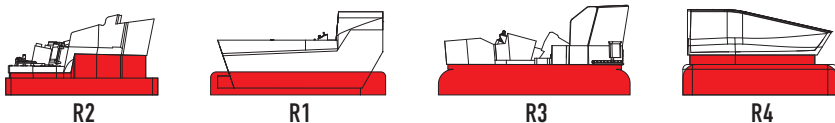


FOR KINETIC KIT

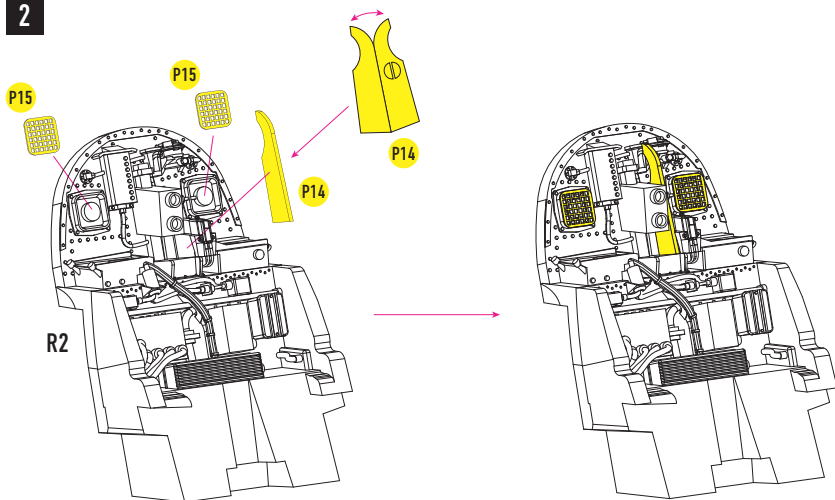
1 CUT

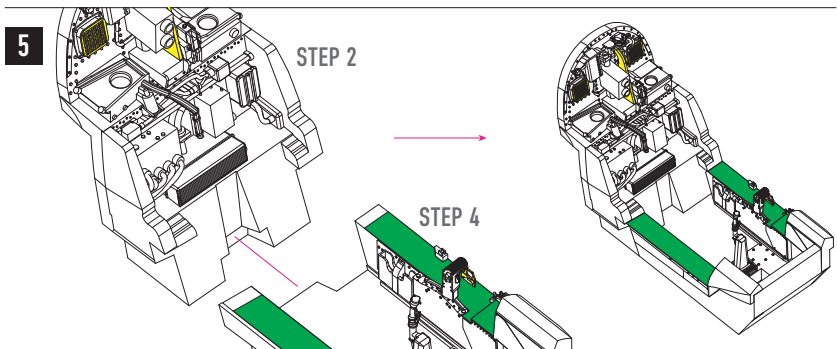
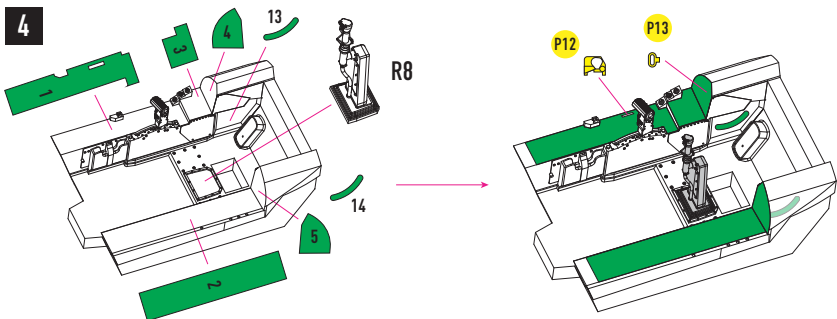
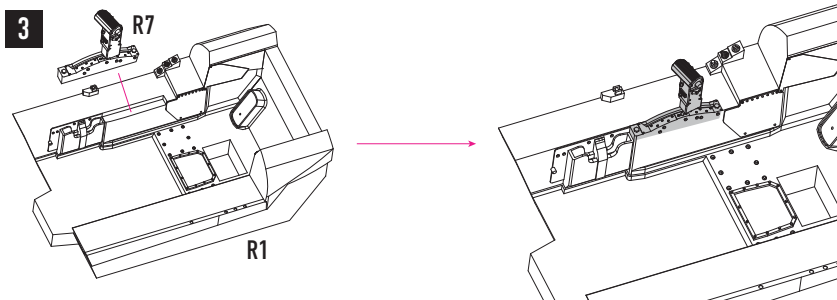


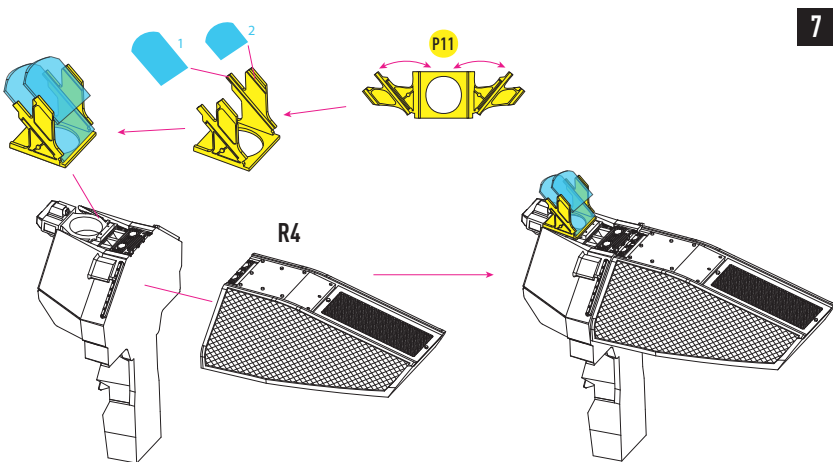
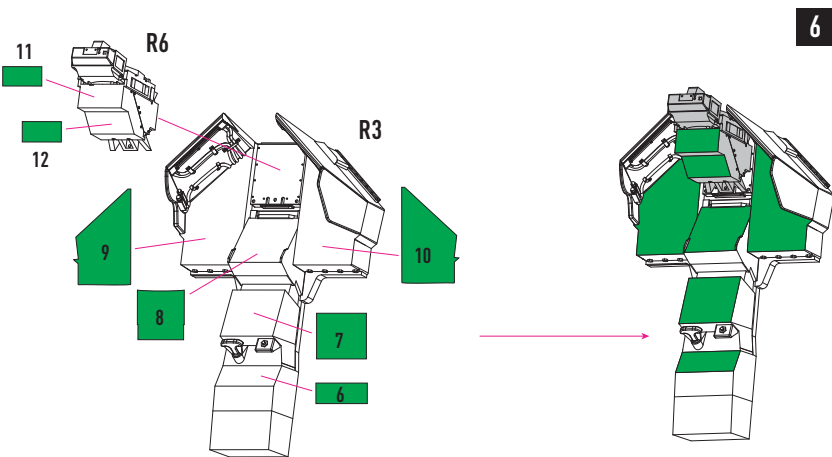
USE A SAW TO REMOVE SUPPORTS
FROM 3D PRINTED PARTS



2







8

