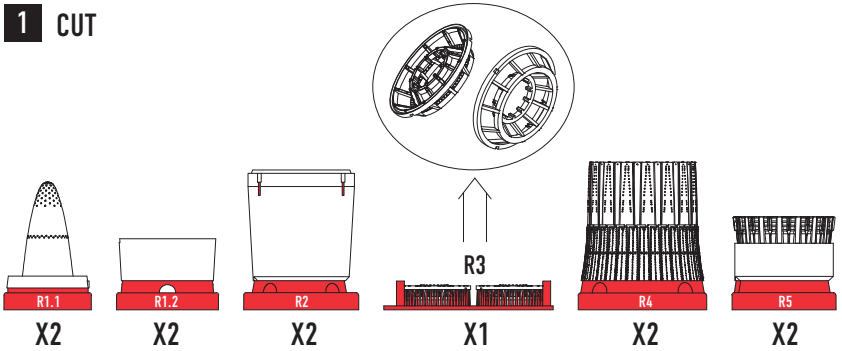
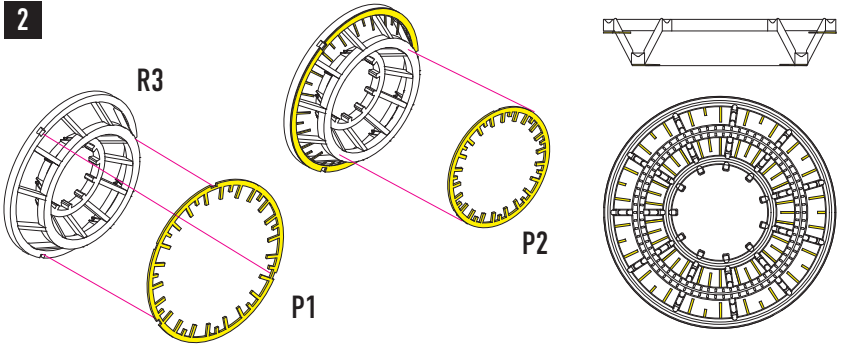


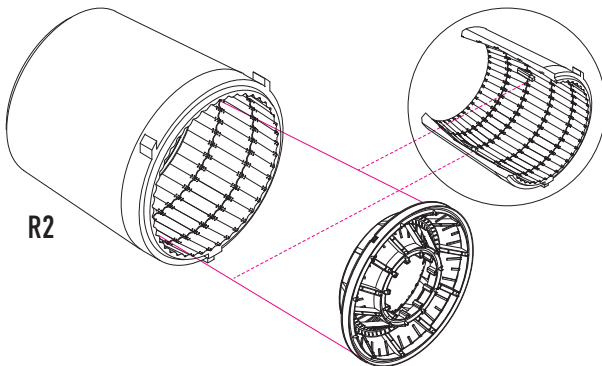
1 CUT



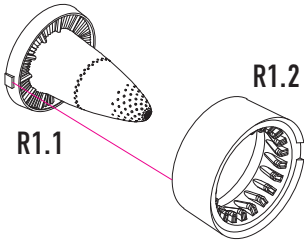
2



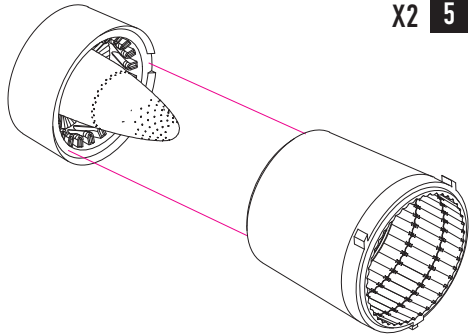
3 X2



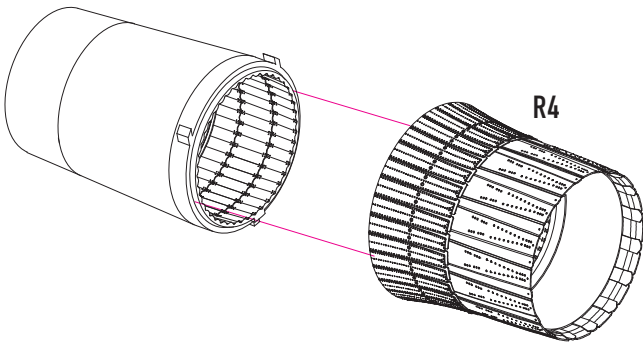
4 X2



X2 **5**



6 X2



7 X2

