

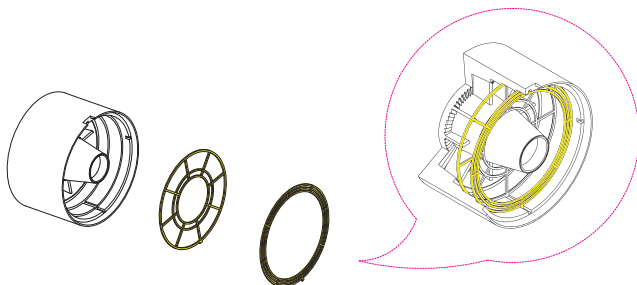


RESIN PARTS

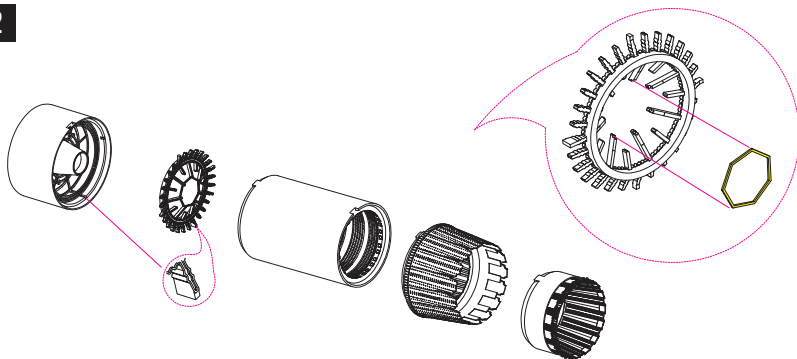


PHOTO ETCHED PARTS

1



2



3 X2

