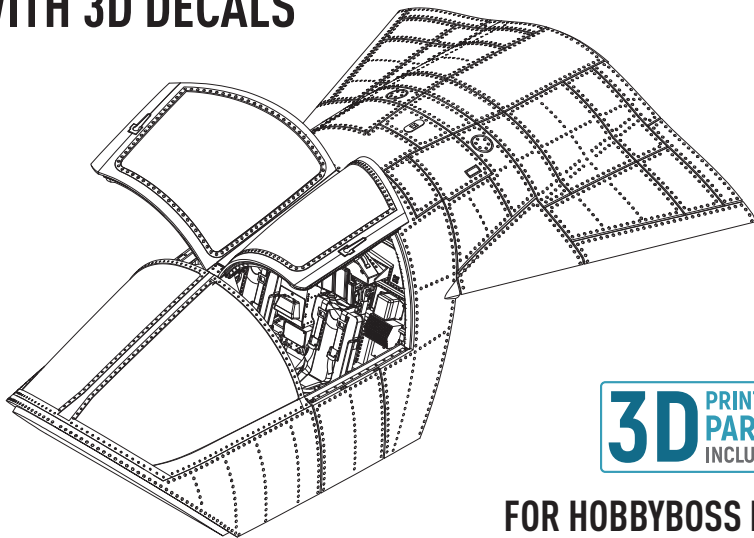




YOU CAN FIND INSTRUCTIONS
IN PDF FORMAT ON THE WEBSITE

INSTRUCTION **RSU48-0168**

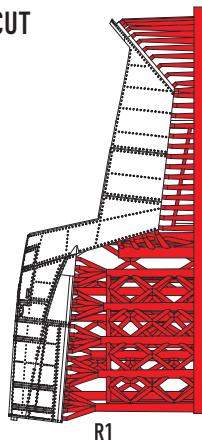
F-111D COCKPIT WITH 3D DECALS



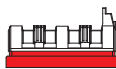
3D PRINTED
PARTS
INCLUDED

FOR HOBBYBOSS KIT

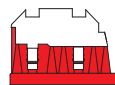
CUT



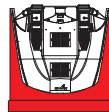
R2



R3*



R4



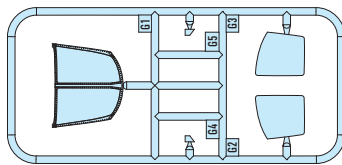
R5



R6 R7

R8

R9



G6 G7



R10



R11

R12



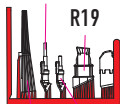
R28

R29

* AFTER REMOVING THE STAND FROM THE PART R3, SHARPEN THE PART AT THE ANCHOR POINT TO A THICKNESS OF 0.5 MM. YOU ALSO NEED TO SHARPEN THE PART A17 FROM THE HOBBYBOSS SET

R15

R16



R13 R17

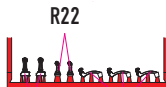
LEFT VIEW



R18 R14

RIGHT VIEW

3D PRINTED PARTS**



R21 R23

LEFT VIEW

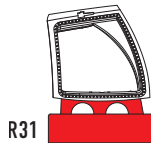


R25 R27

RIGHT VIEW

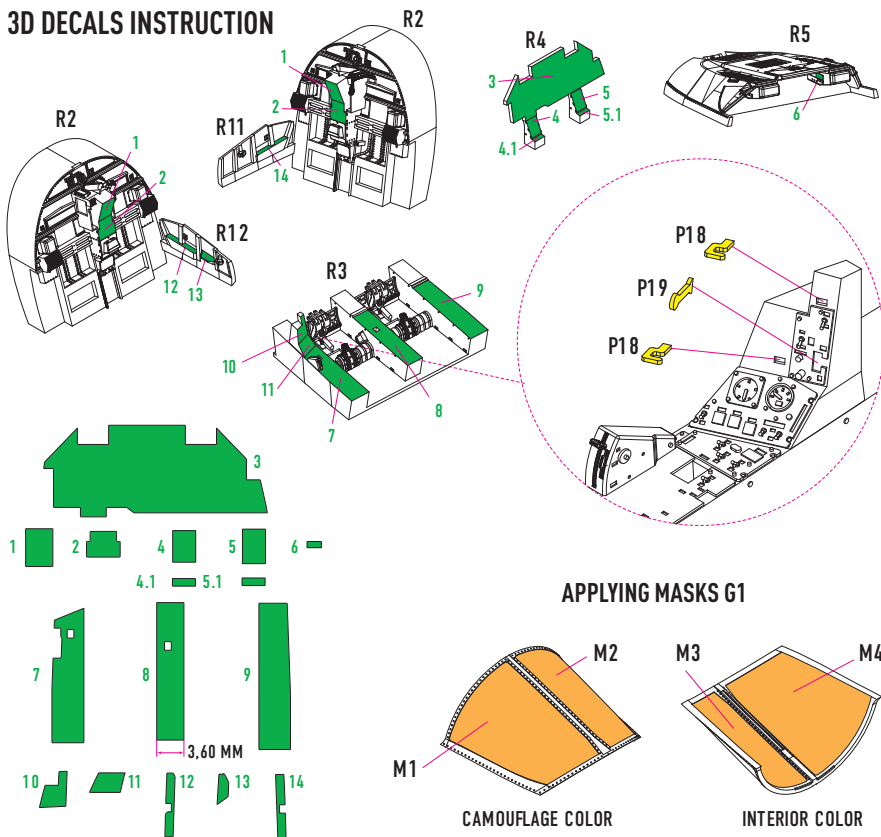


R30

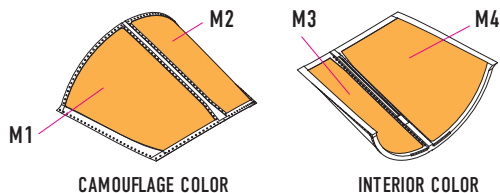


R31

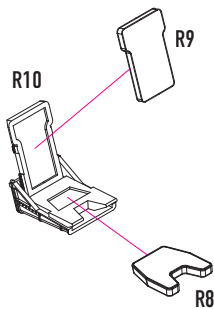
3D DECALS INSTRUCTION



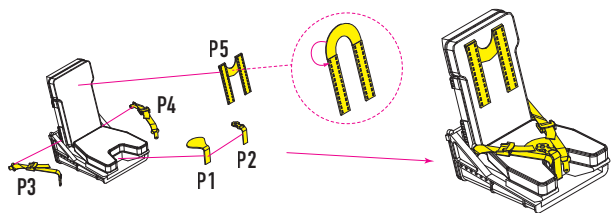
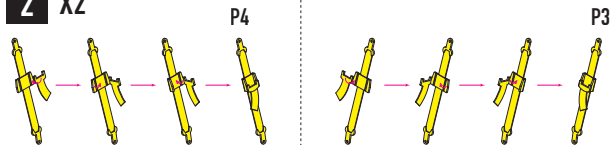
APPLYING MASKS G1



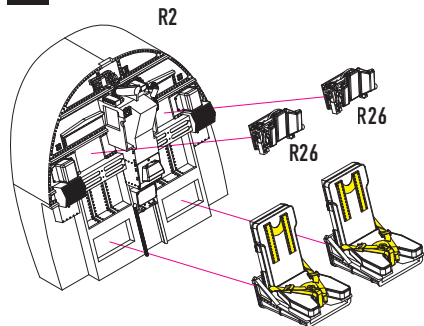
1 X2



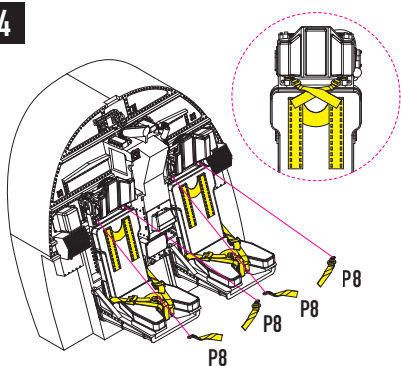
2 X2



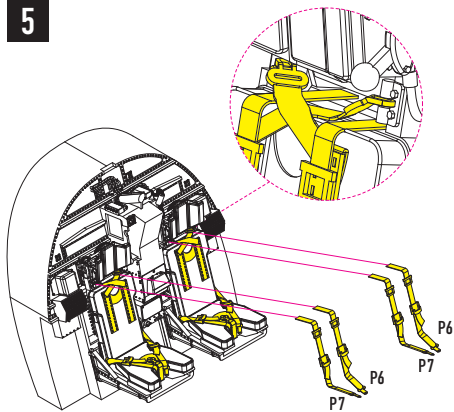
3



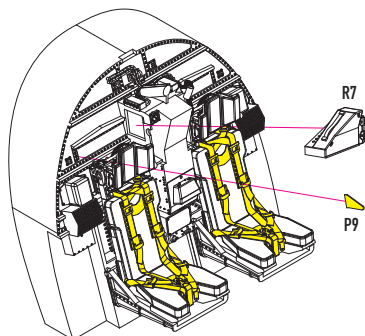
4



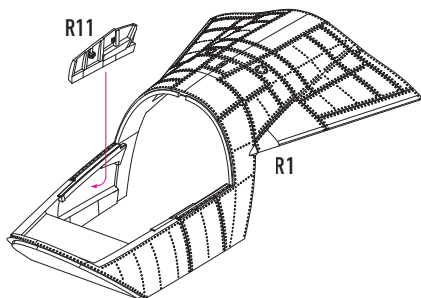
5



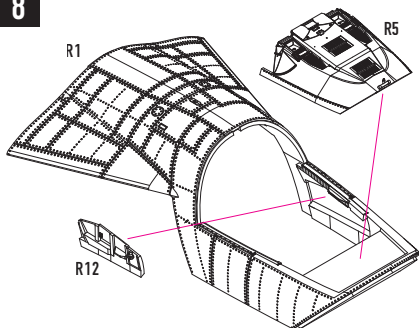
6

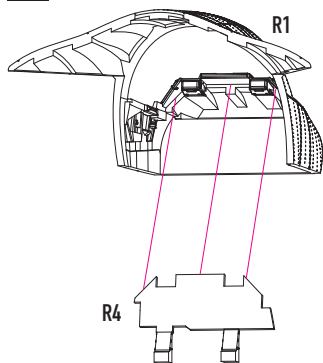
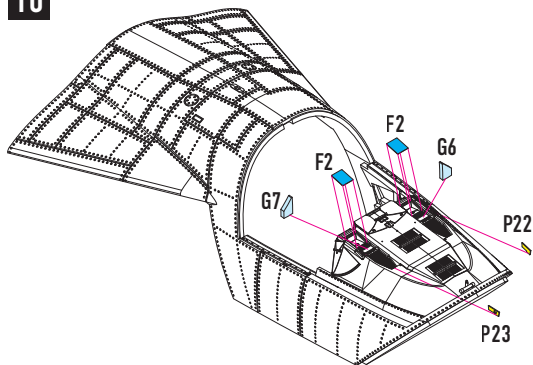
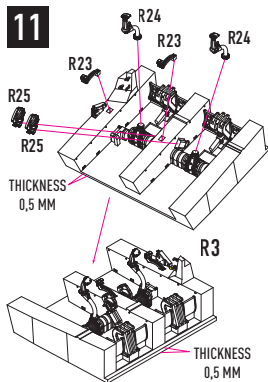
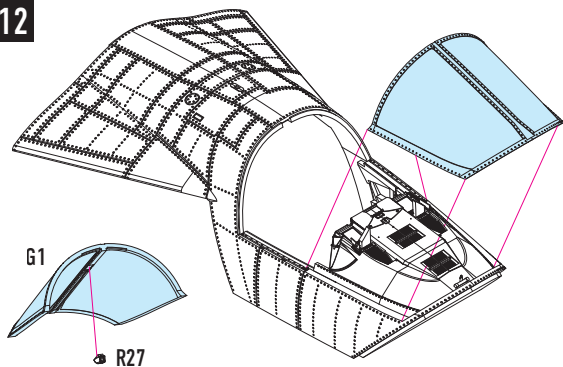


7

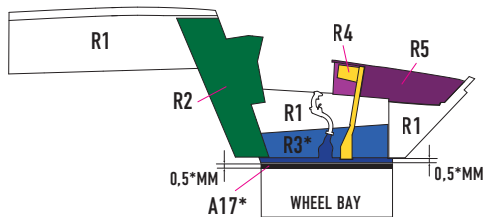
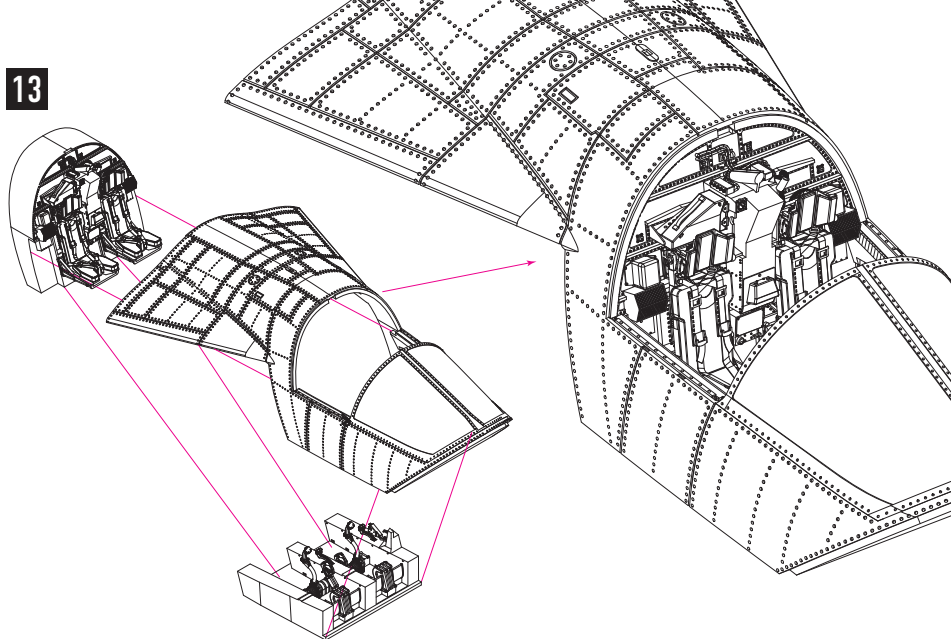


8



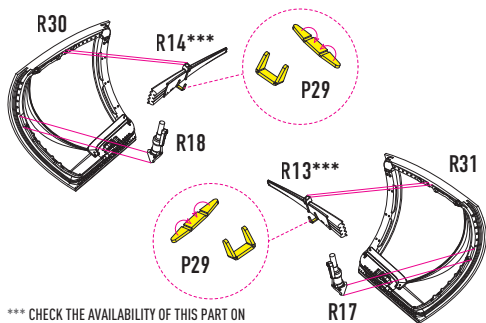
9**10****11****12**

13



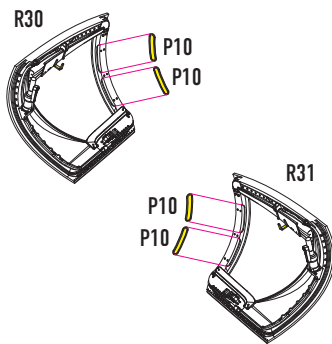
* AFTER REMOVING THE STAND FROM THE PART R3, SHARPEN THE PART AT THE ANCHOR POINT TO A THICKNESS OF 0.5 MM. YOU ALSO NEED TO SHARPEN THE PART A17* FROM THE HOBBYBOSS SET

14 FOR CLOSED CANOPY

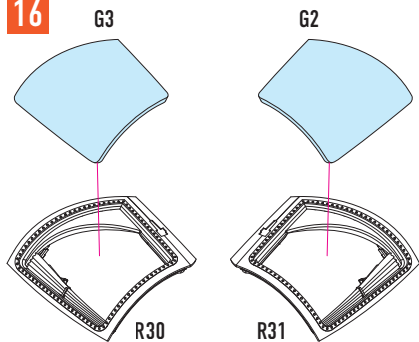


*** CHECK THE AVAILABILITY OF THIS PART ON THE PHOTOS OF THE AIRCRAFT YOU ARE BUILDING

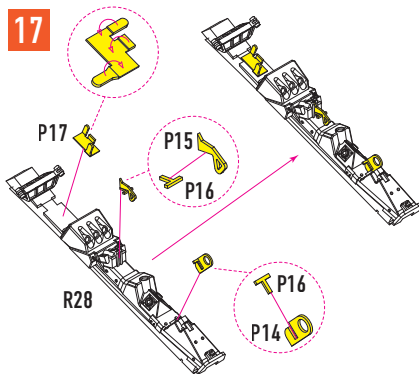
15



16

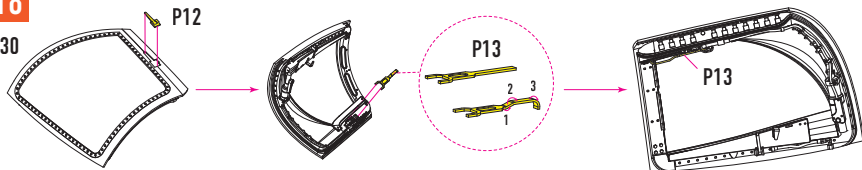


17



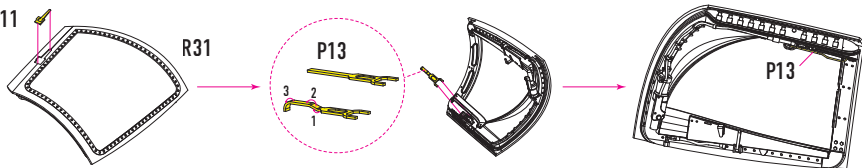
18

R30

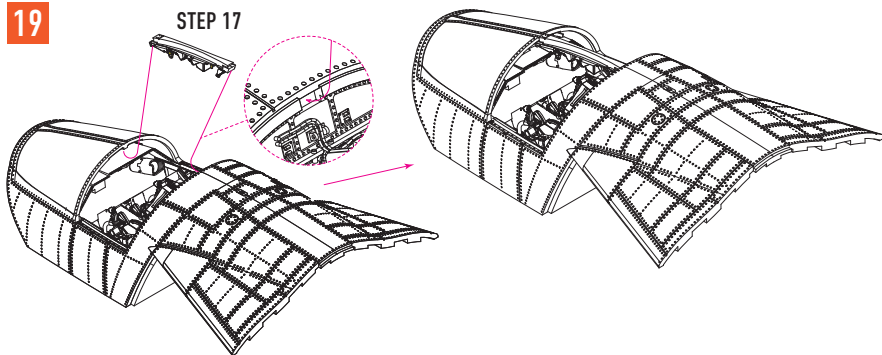


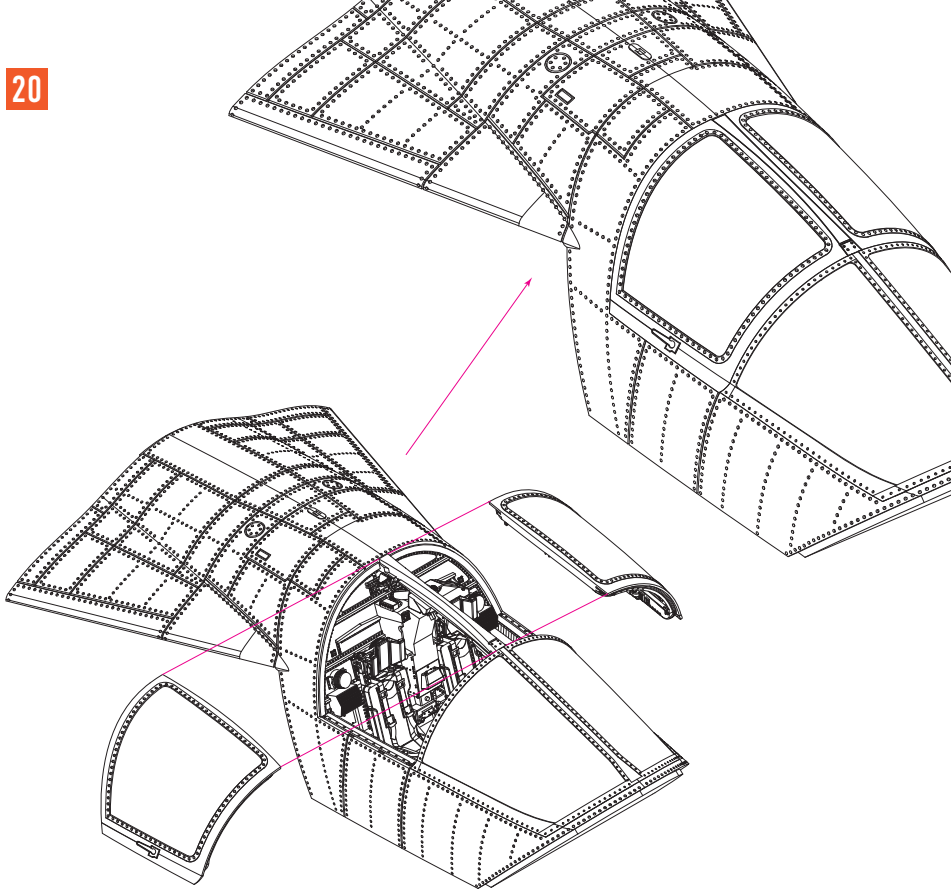
P11

R31

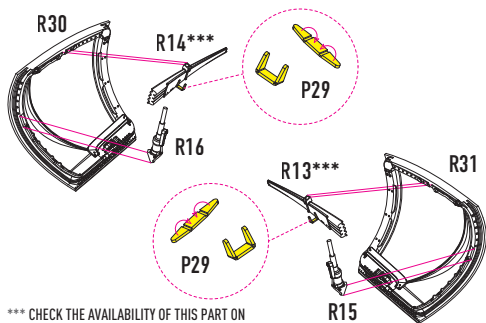
**19**

STEP 17



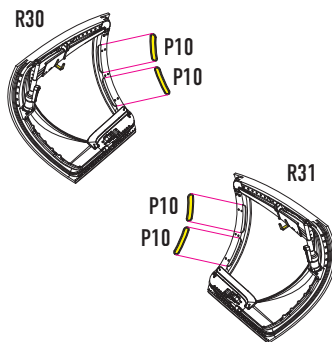


14 FOR OPEN CANOPY

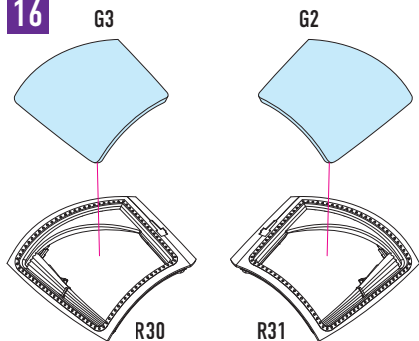


*** CHECK THE AVAILABILITY OF THIS PART ON THE PHOTOS OF THE AIRCRAFT YOU ARE BUILDING

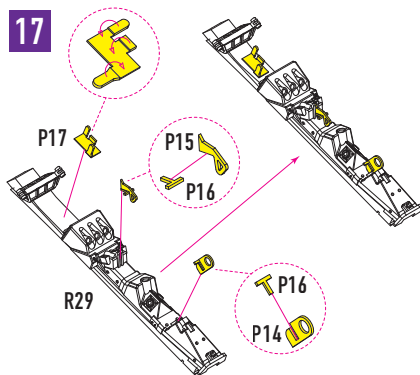
15



16

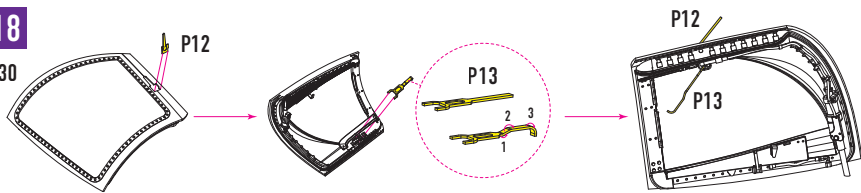


17



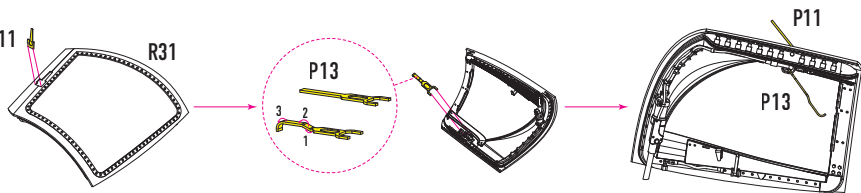
18

R30

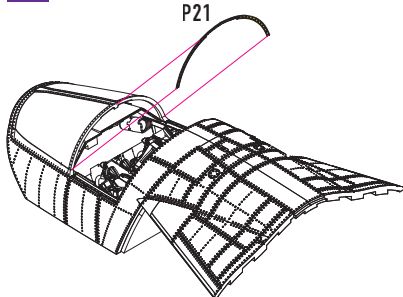
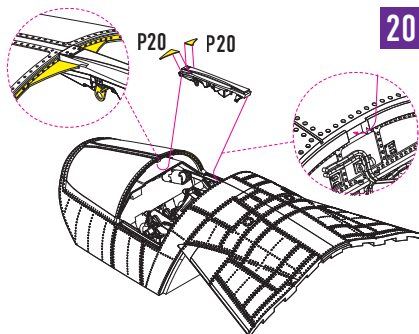


P11

R31

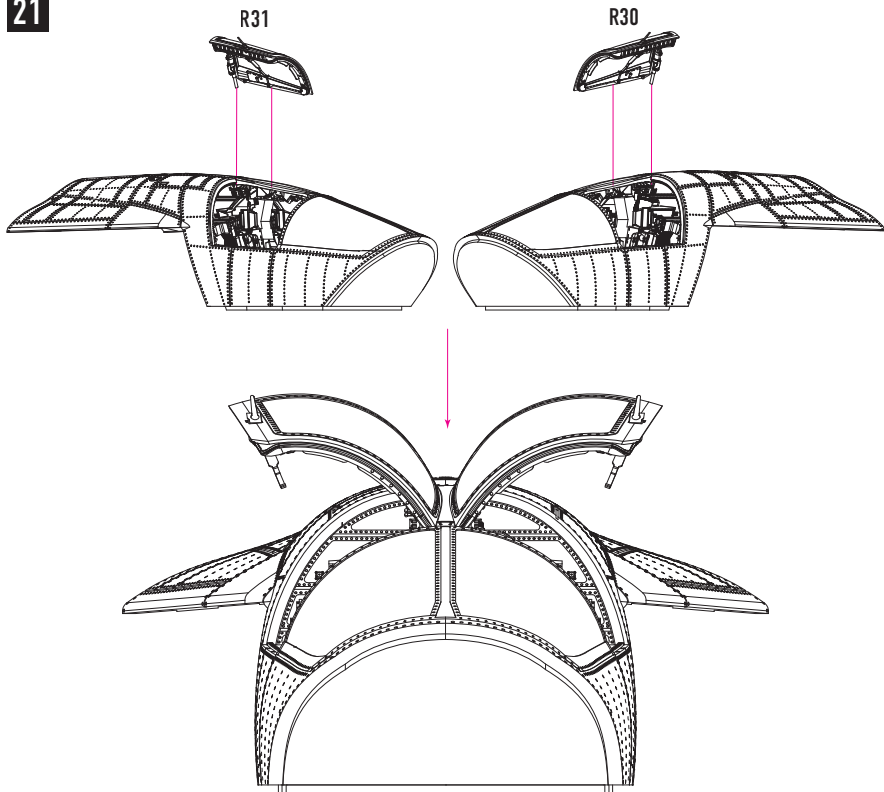
**19**

P21

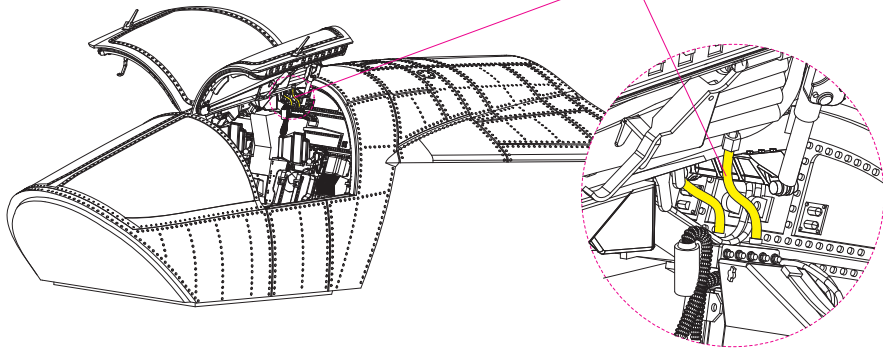
**20**

BEFORE GLUING MAKE THE FLEXION OF THE P20 PARTS
EQUAL TO THE FLEXION OF THE G1 PART EDGE.

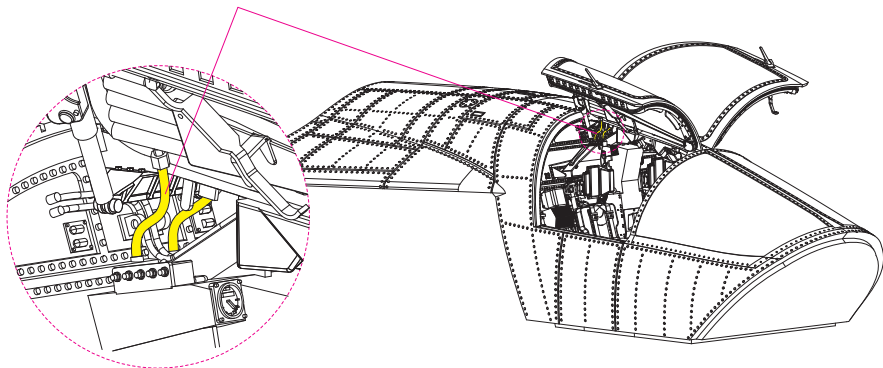
21

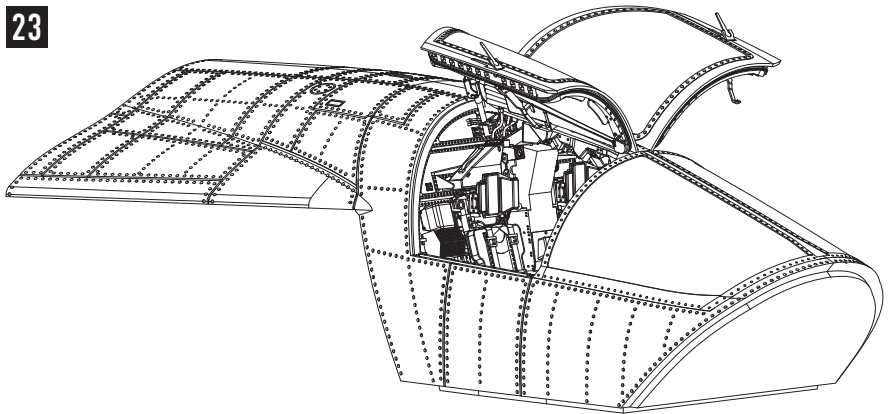


USE WIRE D: 0.3MM, L: 5MM

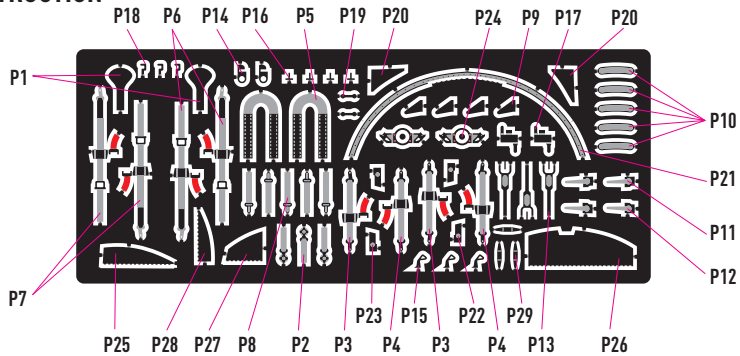


USE WIRE D: 0.3MM, L: 5MM





PE INSTRUCTION



YOU CAN FIND INSTRUCTIONS
IN PDF FORMAT ON THE WEBSITE

RESKIT-MODELS.COM

General Issues: info@reskit.com.ua

Wholesales: sales@reskit.com.ua

Claim Resolution: claims@reskit.com.ua