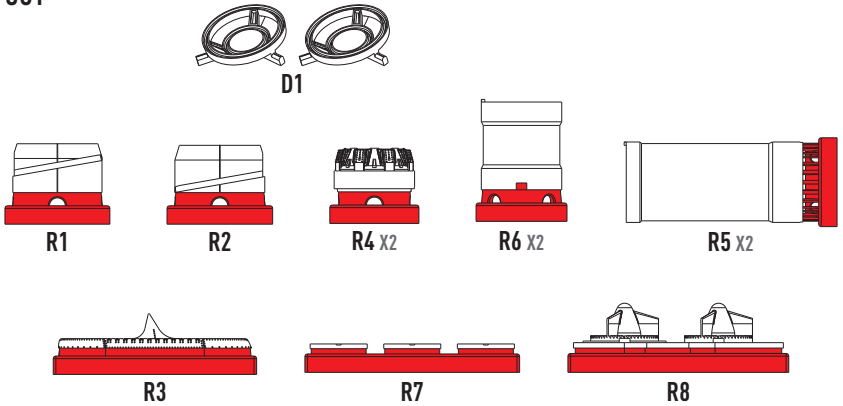
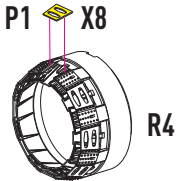


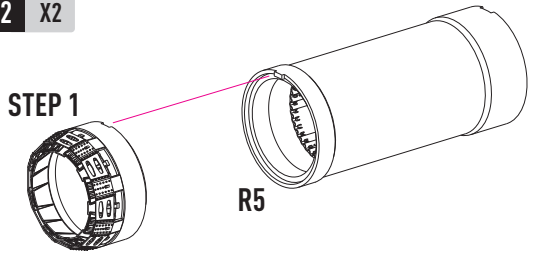
CUT



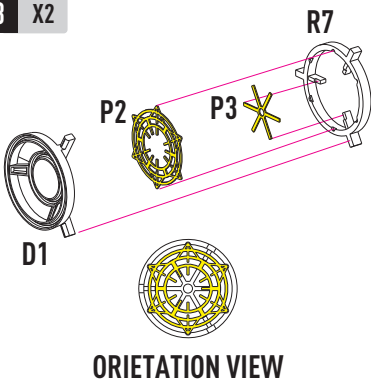
1 X2



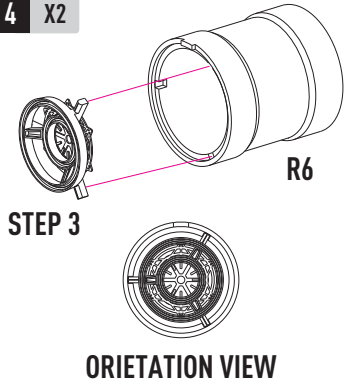
2 X2



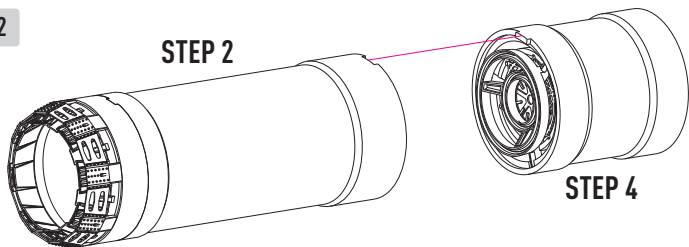
3 X2



4 X2

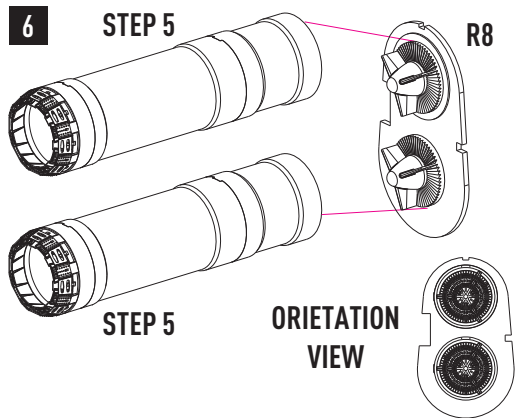


5 X2

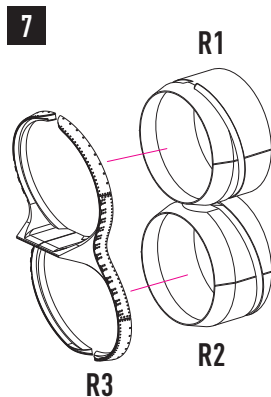


6

STEP 5



7



8

STEP 7

