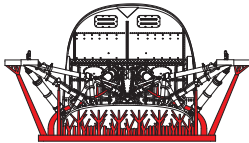
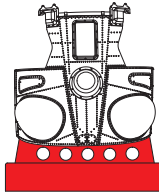


### CUT



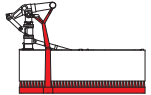
R2



R1



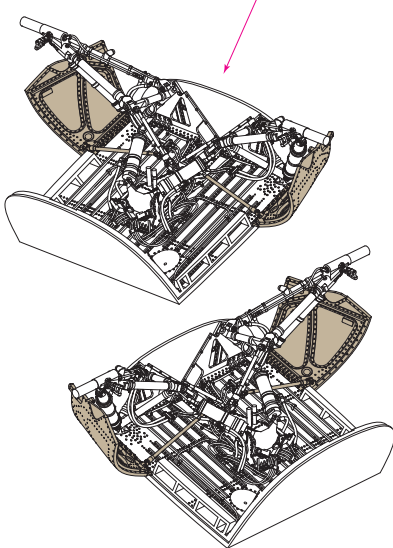
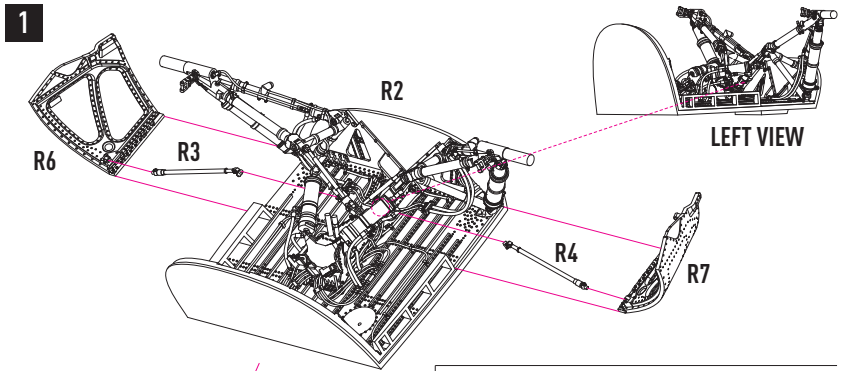
R3 R4 R5 R6 R7



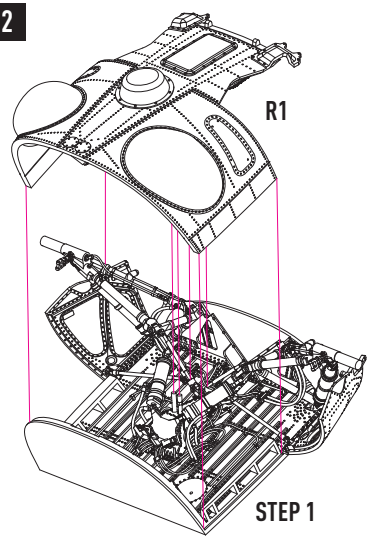
R8

USE A SAW TO REMOVE SUPPORTS FROM 3D PRINTED PARTS

### 1

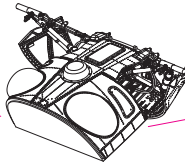
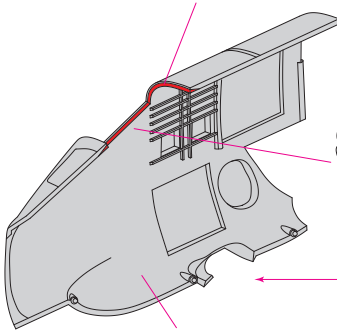


### 2

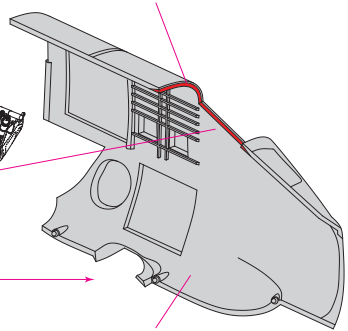


**3**

**GRIND DOWN TO  
THICKNESS 0.7 MM**

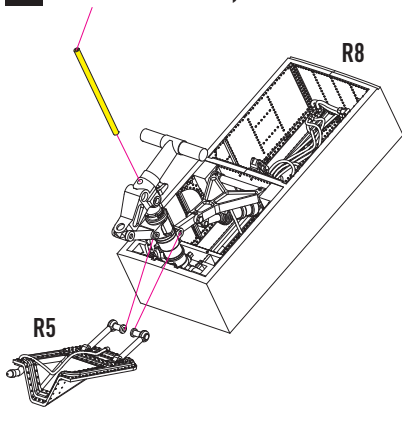


**GRIND DOWN TO  
THICKNESS 0.7 MM**



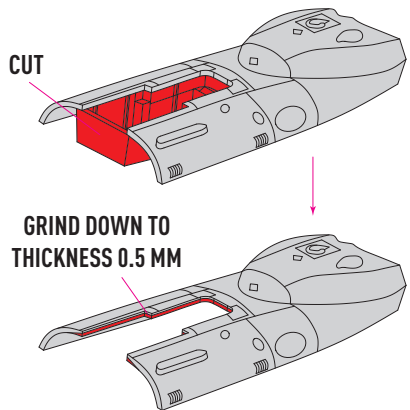
**4**

**USE PIPE D: 0.8 MM, L: 13 MM**



**5**

**PART FROM THE KIT D28**



**STEP 4**

