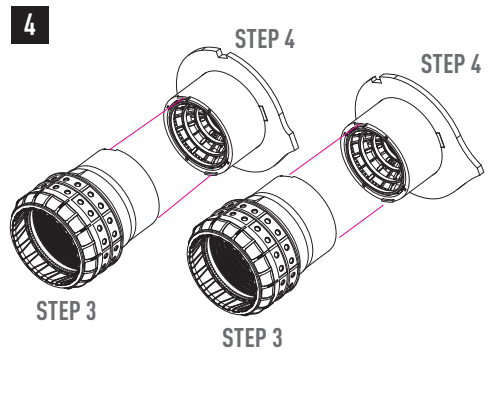
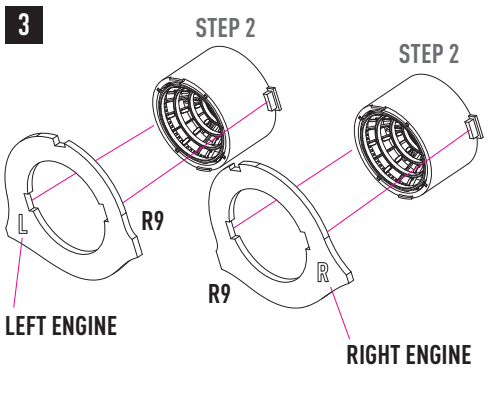
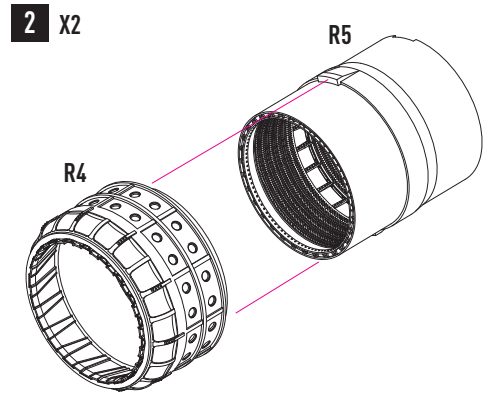
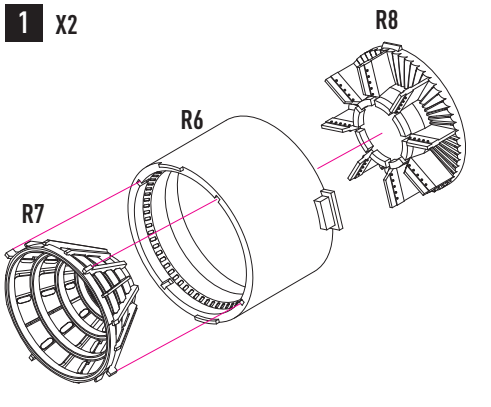
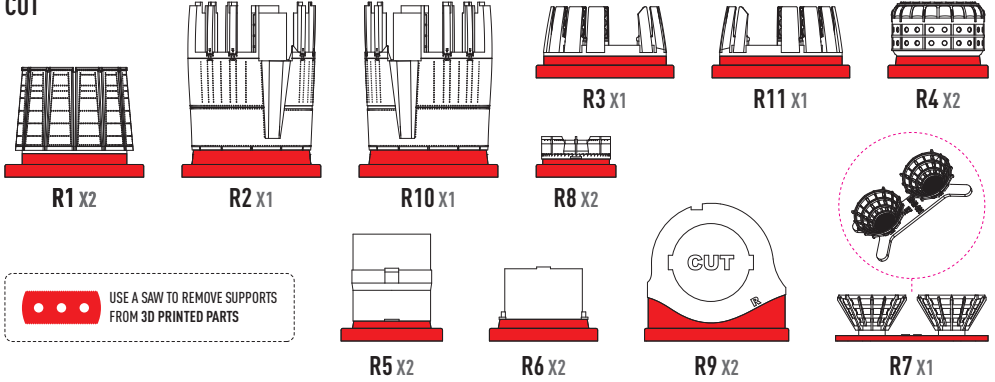
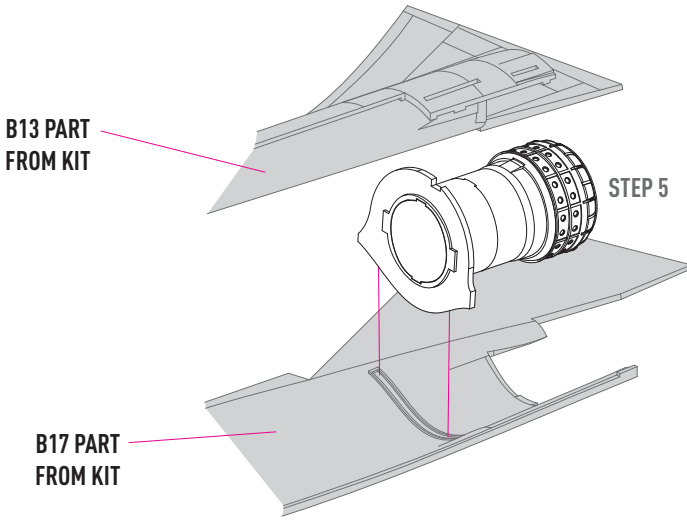


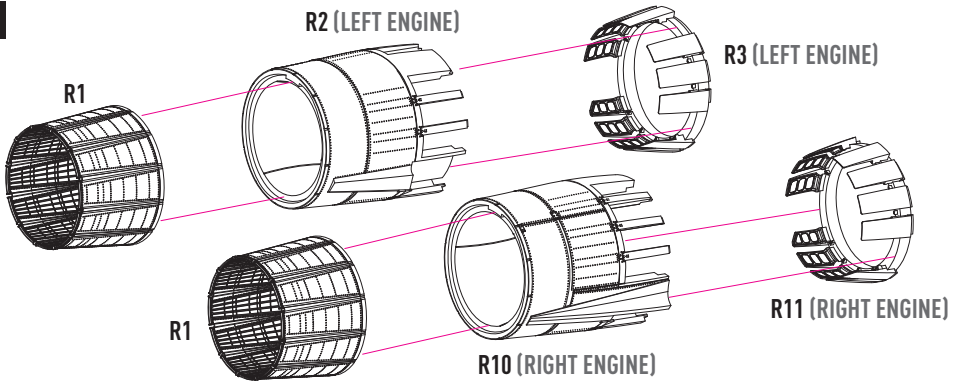
### CUT



**5** STEP 37 FROM REVELL MANUAL FOR RIGHT ENGINE AND STEP 38 FOR LEFT ENGINE



**6**



**7** STEP 37B FROM REVELL MANUAL FOR RIGHT ENGINE AND STEP 38B FOR LEFT ENGINE

