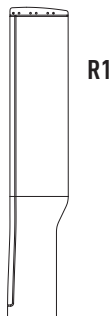


1 X4



R1

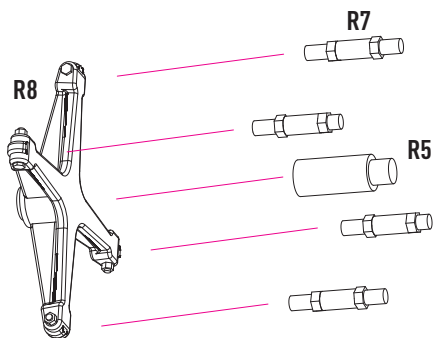


R2



R3

2

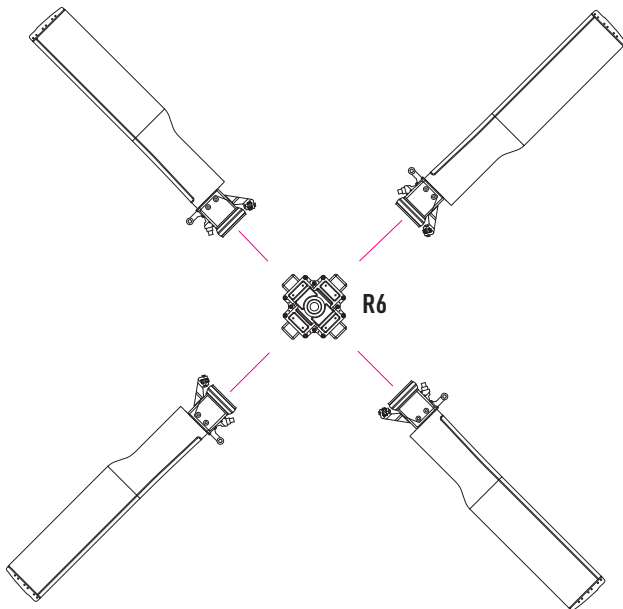


R8

R7

R5

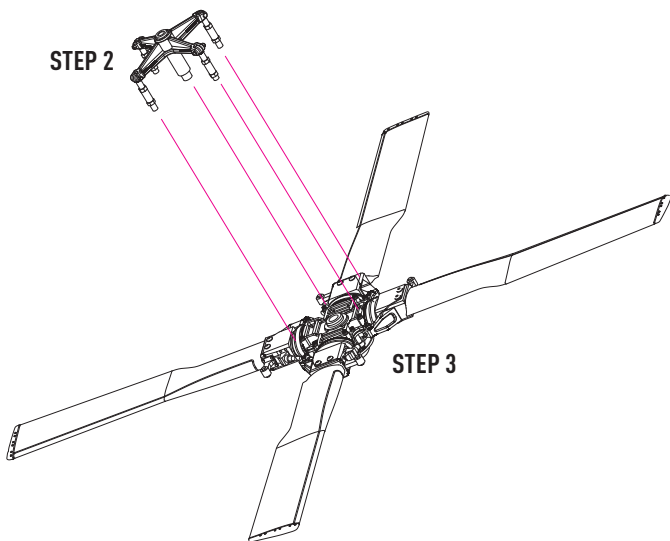
3



R6

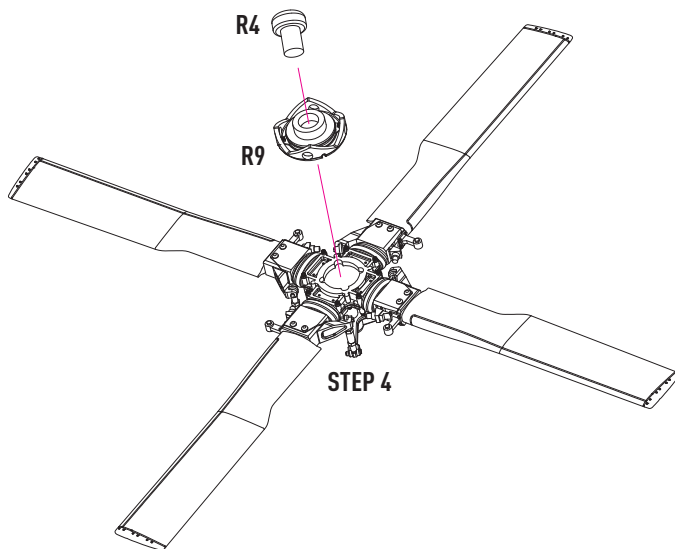
4

STEP 2



STEP 3

5



STEP 4