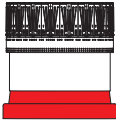


CUT

USE A SAW TO REMOVE SUPPORTS
FROM 3D PRINTED PARTS



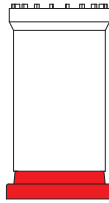
R7 x1



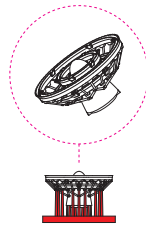
R1 x1



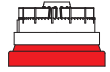
R2 x1



R3 x1



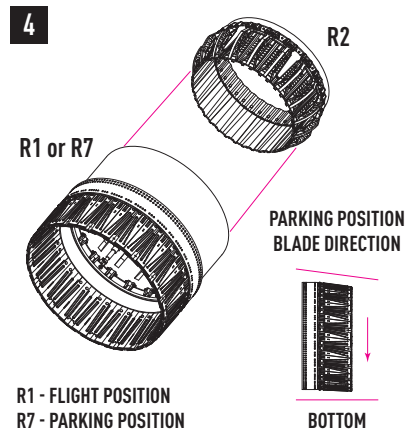
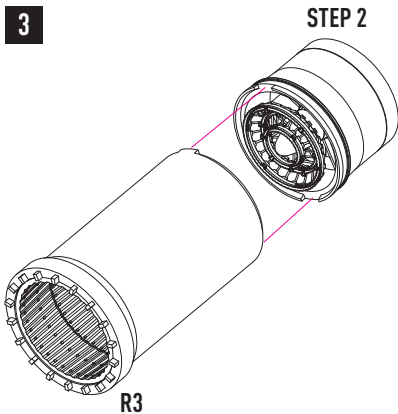
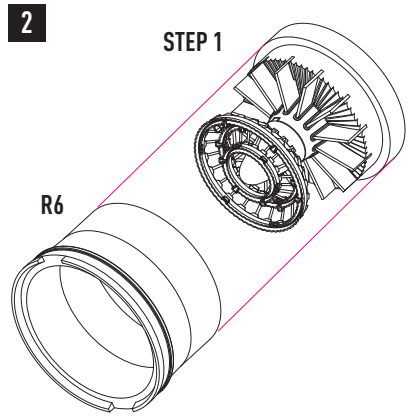
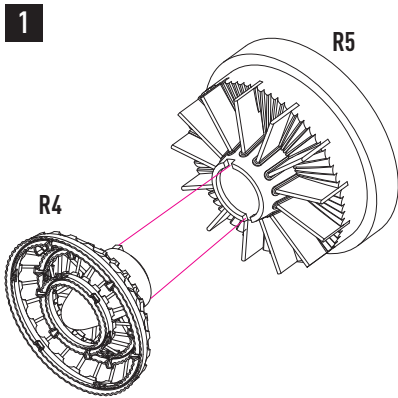
R4 x1



R5 x1



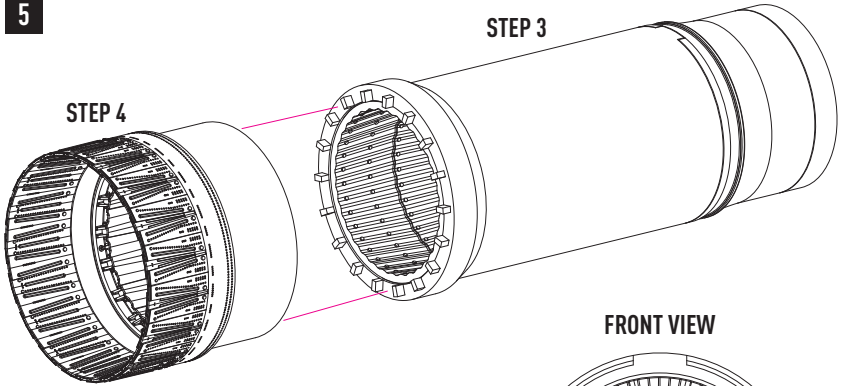
R6 x1



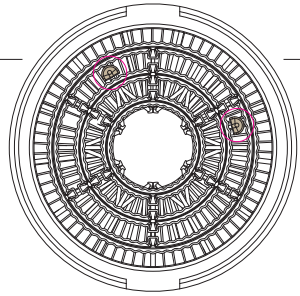
5

STEP 3

STEP 4



FRONT VIEW



↓ BOTTOM

6 STEP 9 FROM TRUMPETER MANUAL

DO NOT CUT OUT
AIRBRAKE COMPARTMENT!

