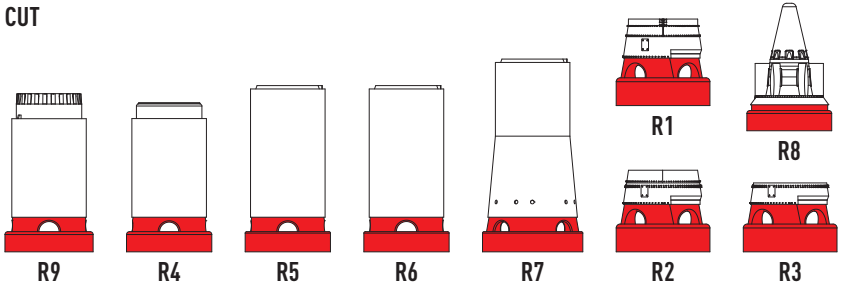
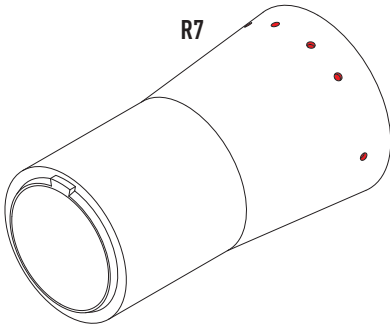


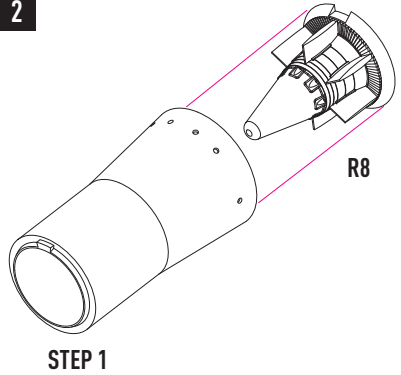
CUT



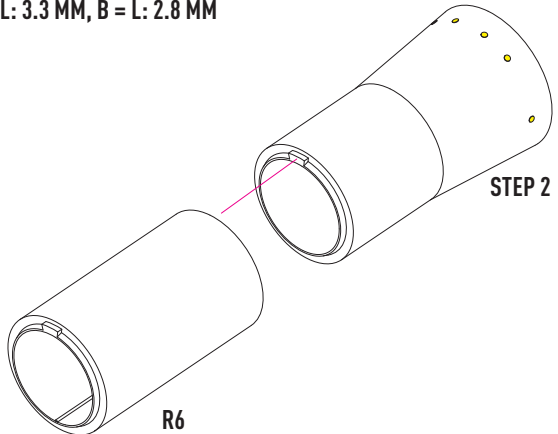
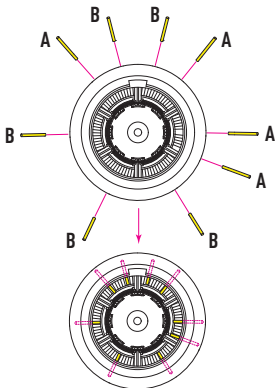
1 DRILL THROUGH HOLES D: 0.3 MM



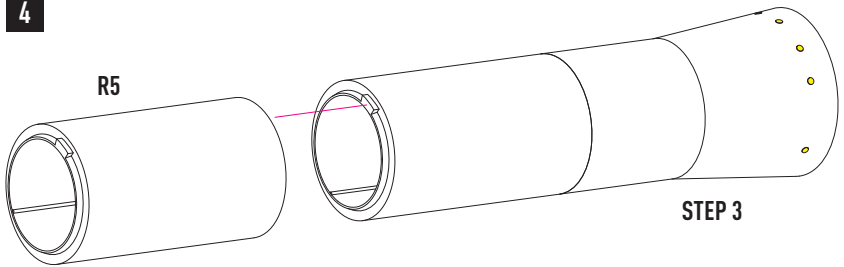
2



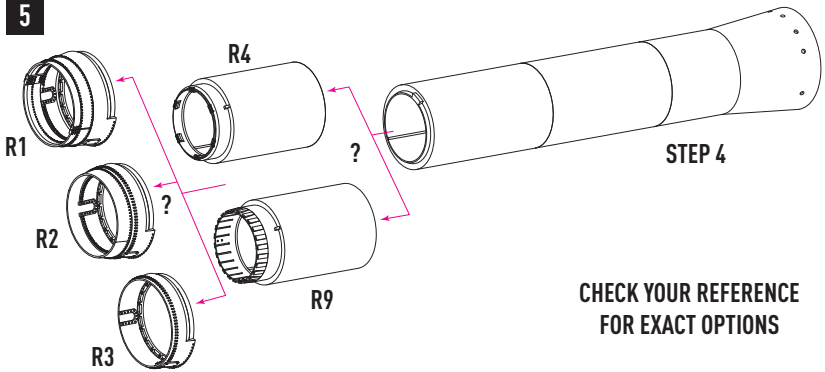
3 USE WIRE D: 0.3 MM, A = L: 3.3 MM, B = L: 2.8 MM



4



5



CHECK YOUR REFERENCE
FOR EXACT OPTIONS

6

PART FROM THE KIT A1.
SYMMETRICALLY REPEAT ON THE DETAIL A2

