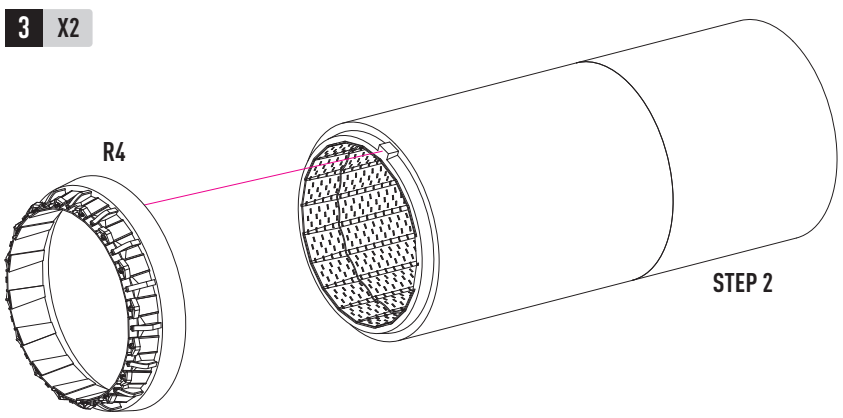
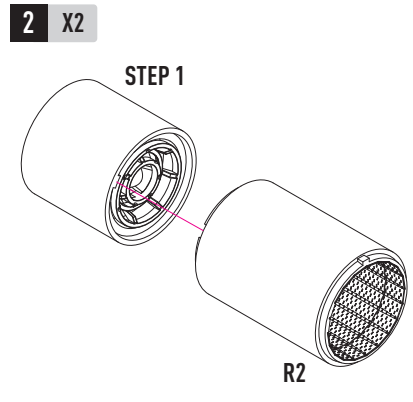
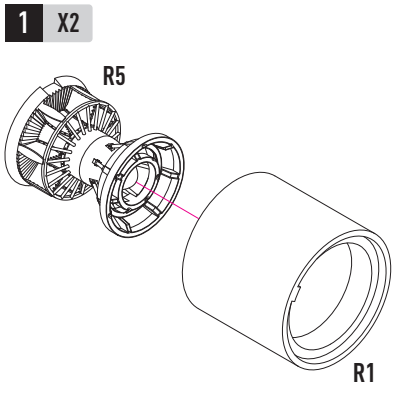
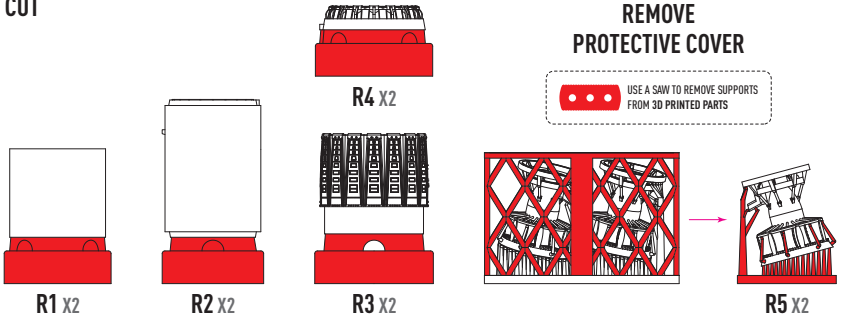
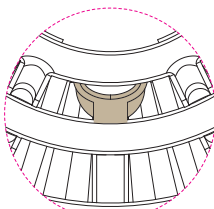
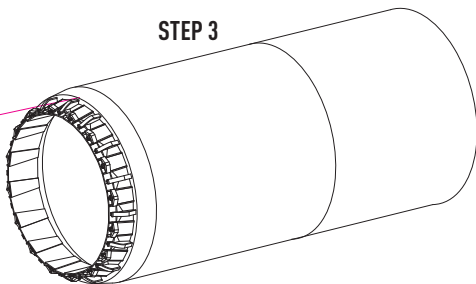
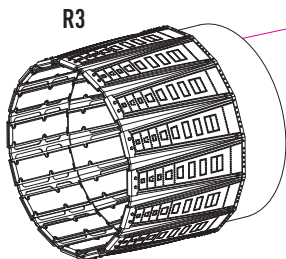


CUT

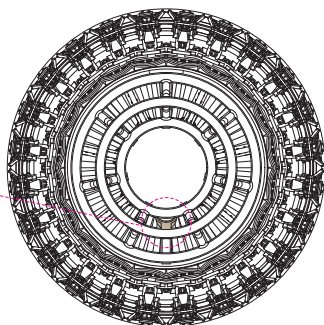


4 X2

STEP 3



BOTTOM



CORRECT ENGINE POSITION

