

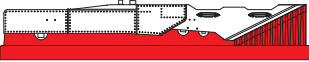
### CUT



R4 R6 R4 R5



R1 X2



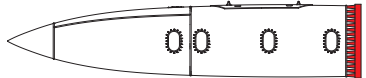
R7 X2



R8 X2

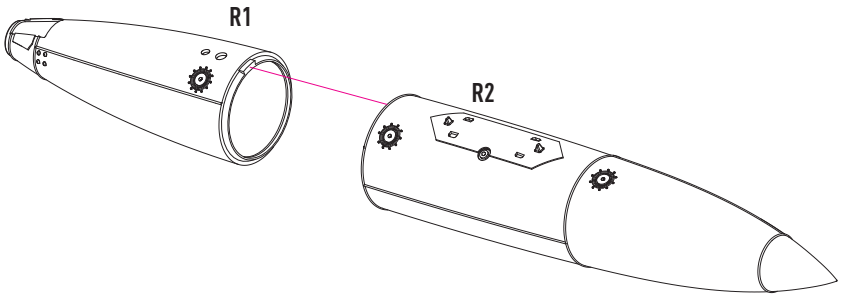


R3

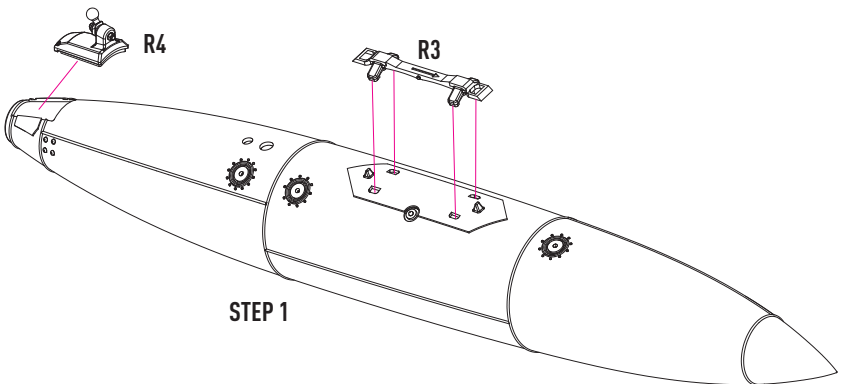


R2 X2

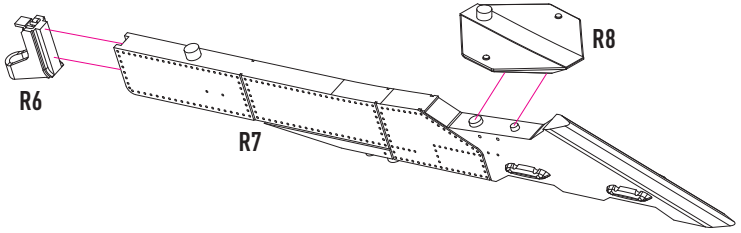
### 1 X2



### 2 X2

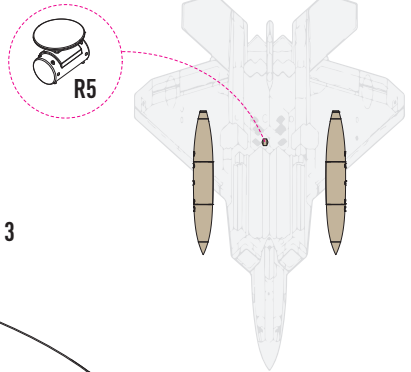
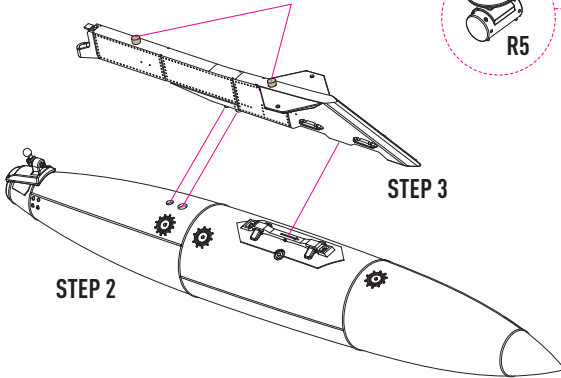


**3** X2



**4** X2

USE THESE PINS TO MOUNT  
ON THE FENDER. DRILL HOLES



### DECAL INSTRUCTION

