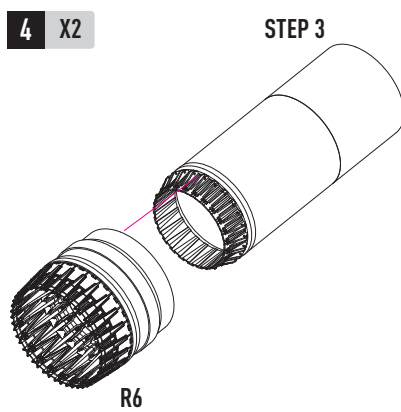
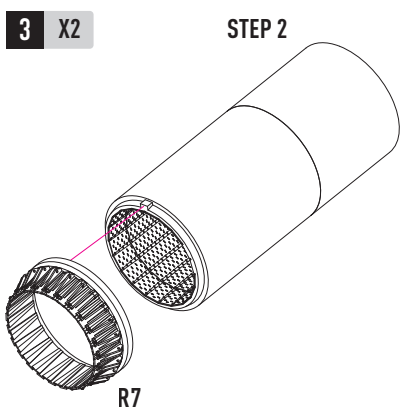
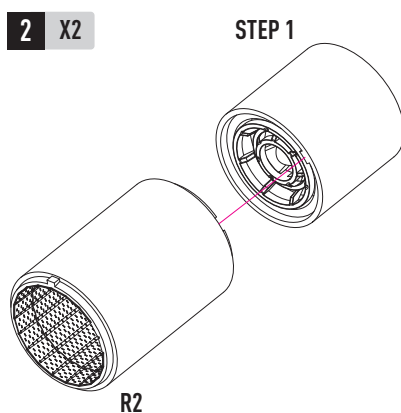
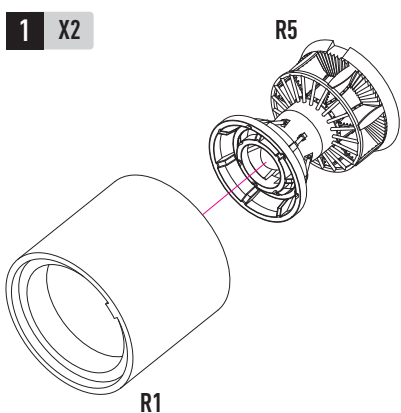
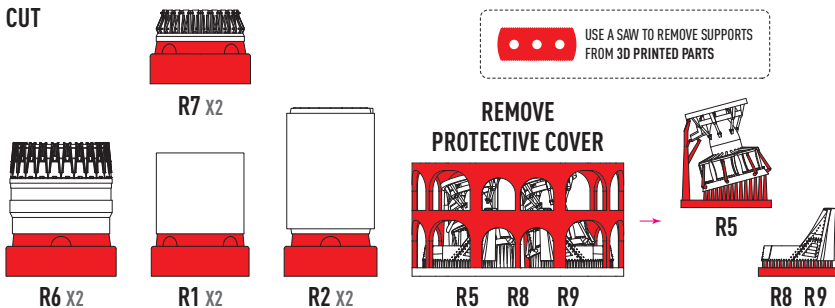
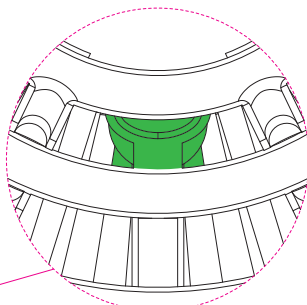
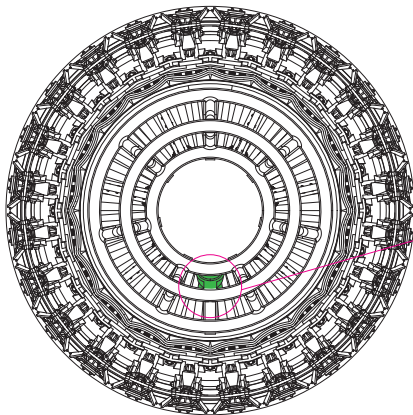


CUT



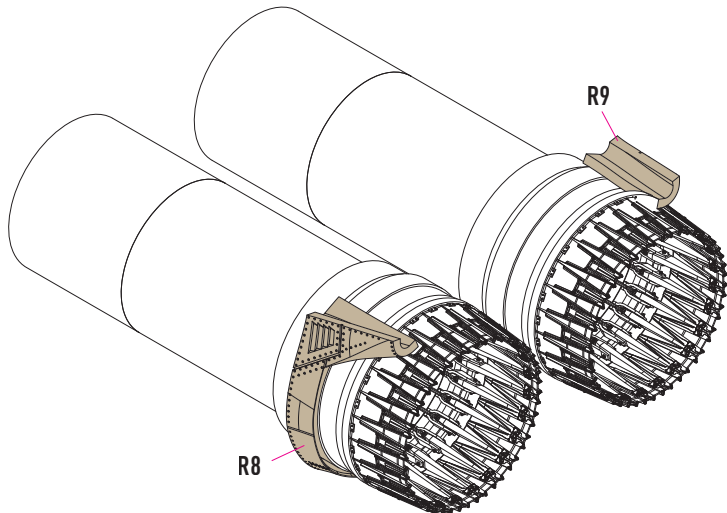
5 CORRECT ENGINES POSITION



BOTTOM



6



REPLACE PARTS FROM ZOUKEI-MURA KIT: J-1 TO R9 AND J-2 TO R8.
INSTALLATION PARTS R8 AND R9 AS WELL AS THE CORRECT POSITIONING OF THE NOZZLES
ARE INDICATED IN STEPS 21 AND 22 OF THE PLASTIC MODEL ASSEMBLY INSTRUCTIONS.